
DECORATIVE PROFILES MAGIC LED PROFILE



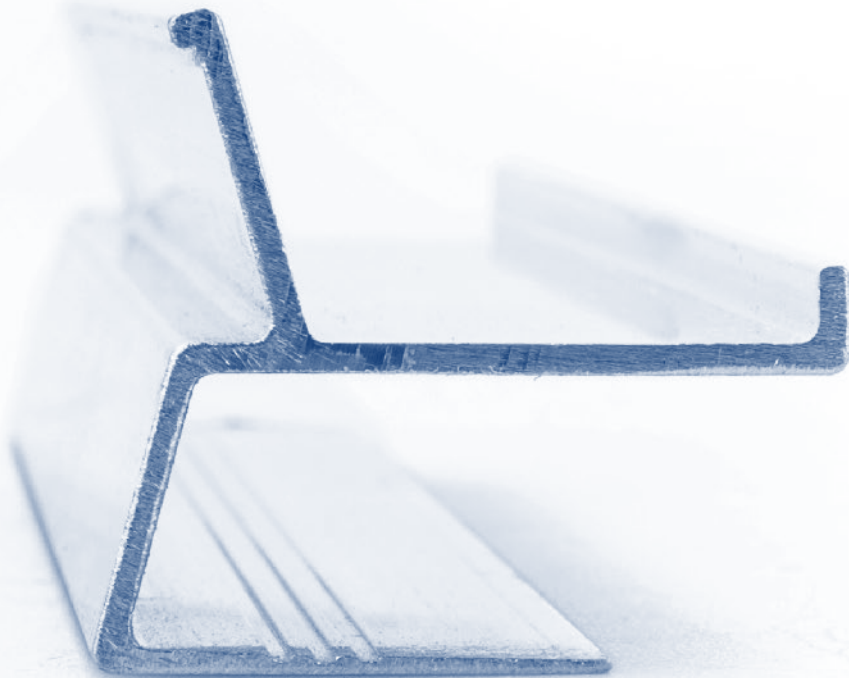
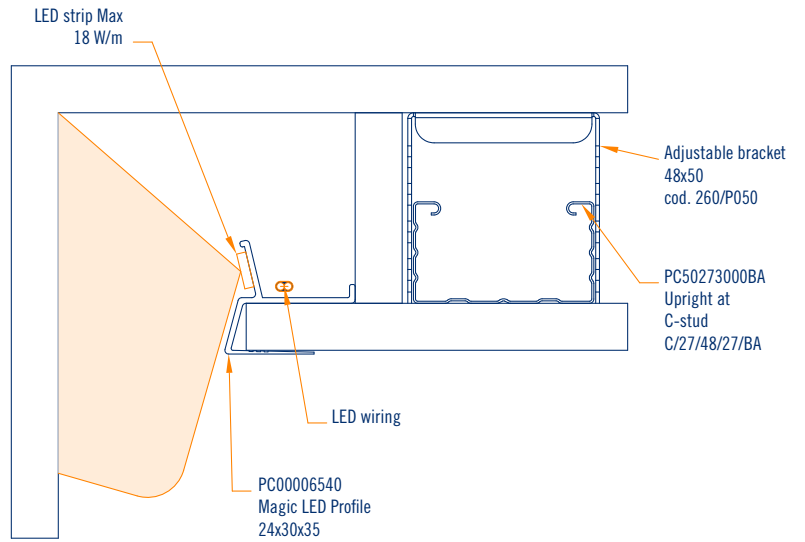
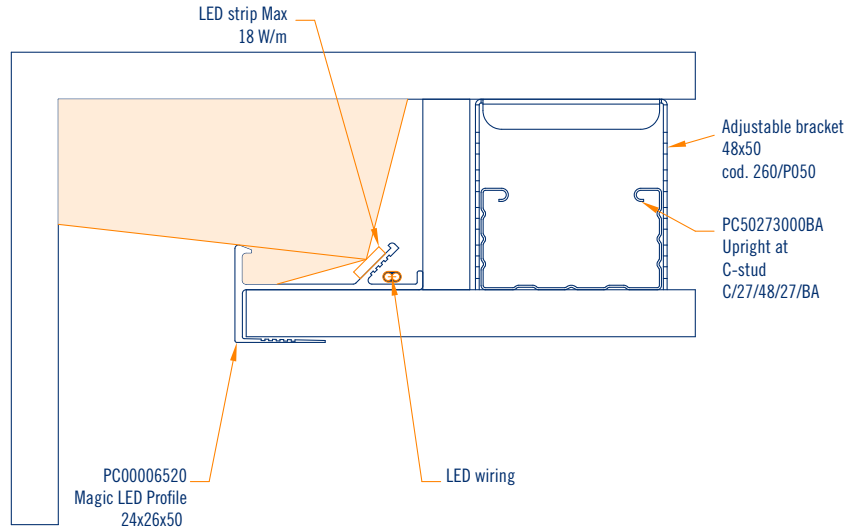
METALSTAMPI

DECORATIVE PROFILES MAGIC LED



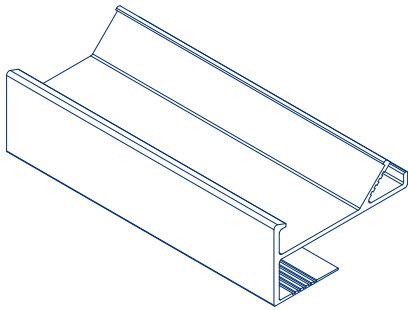
STRENGTHS

- 1 — Product made of extruded aluminium with press-on attachment.
- 2 — Set up for the installation of adhesive LED strips.

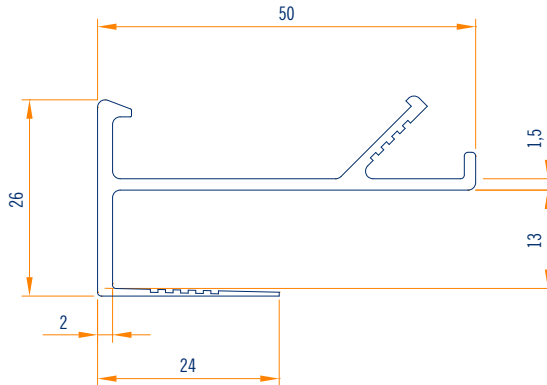


MAGIC LED PROFILE 24X26X50

Item	Description	Dimension and thickness	Weight per package	Application	Sales unit
PC00006520	Magic Led profile 24x26x50	l 1.500 s 1.5 - 2	2.42	suspended ceiling double wall wall	4 pieces 6.00 ml



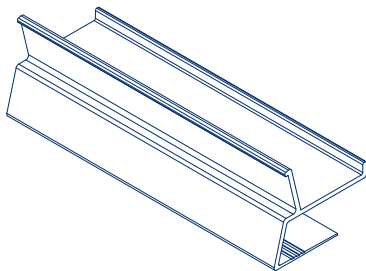
axonometric view scale 1:2



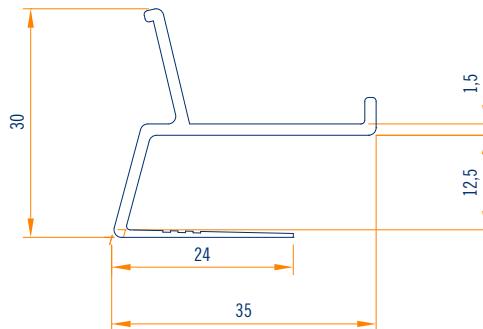
section scale 1:2

MAGIC LED PROFILE 24X30X35

Item	Description	Dimension and thickness	Weight per package	Application	Sales unit
PC00006540	Magic Led profile 24x30x35	l 1.500 s 1.5	1.80	suspended ceiling double wall wall	4 pieces 6.00 ml



axonometric view scale 1:2



section scale 1:2

IMPORTANT RECOMMENDATIONS FOR USING AND STORING PRODUCTS

CE Marking

Please note that each product is part of a hanging/connection kit for connecting to the upper anchoring system and to the supporting element in dry construction systems **for use inside buildings**. The various components are identified in the catalogue and price list with the CE logo.

Each CE product has a Declaration of Performance (DOP).

Durability: class B (Components of a building exposed to variable relative humidity up to 90% and to variable temperatures up to 30°C but with no exposure to corrosive pollution agents).

Recommendations for storing metal framing elements

We recommend to store packages in a covered area with a relatively dry atmosphere and as constant a temperature as possible, to avoid condensation that could consume the passivation coat protecting the galvanised surface.

If stored outdoors (**not recommended**), please cover so as to ensure the material is fully protected against adverse weather conditions (rain, fog, snow), making sure the packages are stored in a slightly inclined position. The cover must nevertheless ensure sufficient airflow (the two surfaces must not be in direct contact) so that moisture does not settle and create condensation.



Metalstampi s.r.l.
Vicolo Biban, 7
31030 Biban di Carbonera (TV) Italy
Tel. +39 0422 398250
export@metalstampi.com
www.metalstampi.com