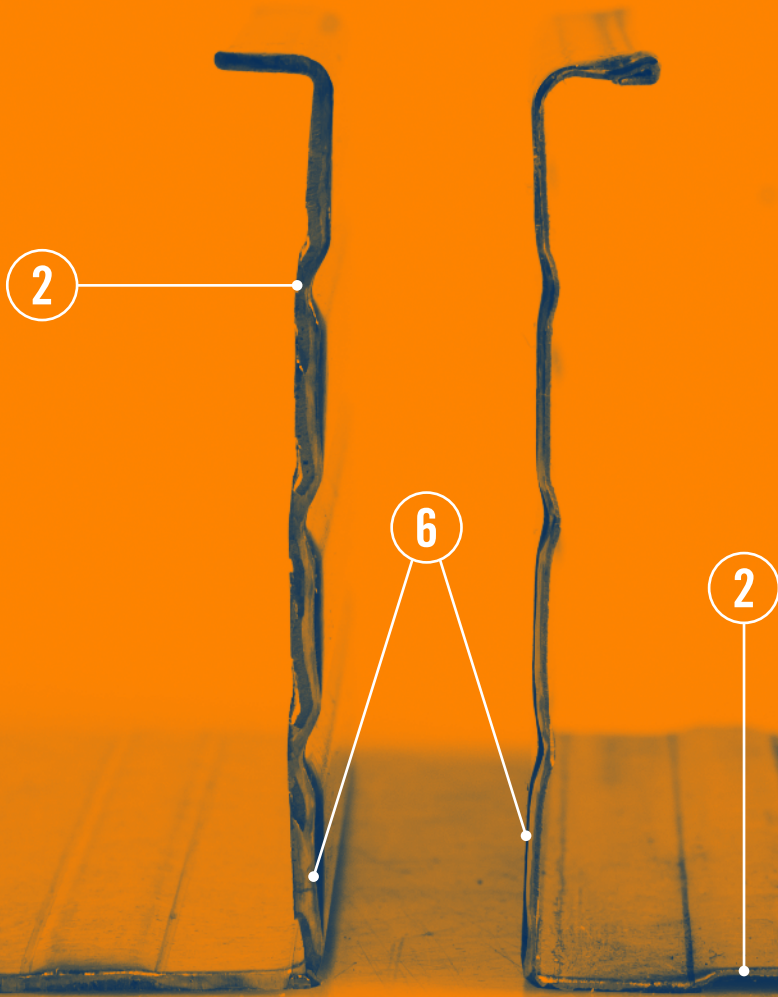

STEEL FLASHLINE PROFILES FLASHLINE HARD



METALSTAMPI

STEEL PROFILES FLASHLINE HARD

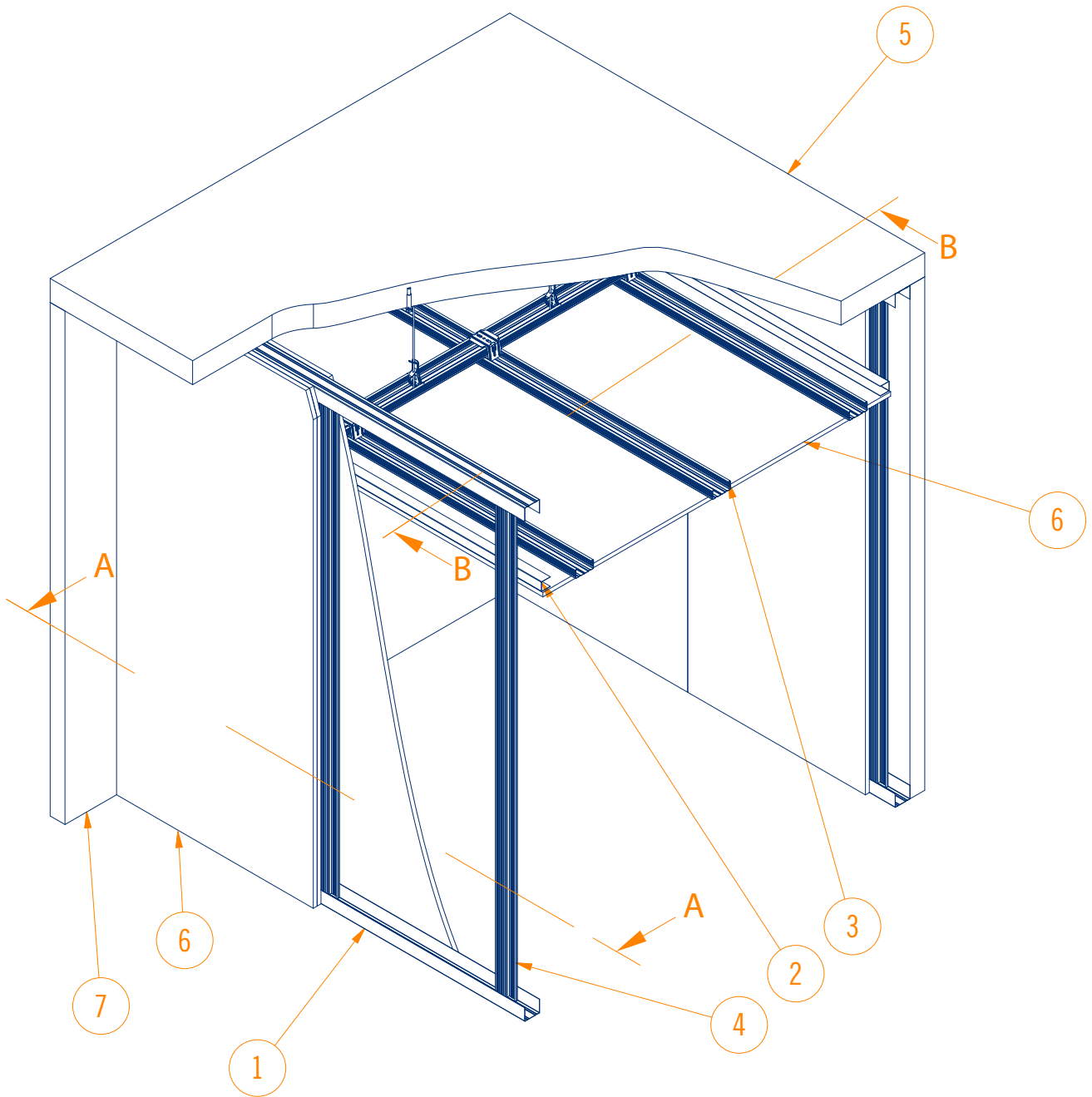


STRENGTHS

- 1 — Product CE marked, in compliance with European standard EN 14195 (quality of raw materials type DX51D+Z100 MAC), and EN 13964 (mechanical resistance to deflection in ceiling applications).
- 2 — Pronounced longitudinal ribbing provides a more rigid structure (improving mechanical performance).
- 3 — Surfaces to be fastened are milled for texture (to facilitate perforation by screws).
- 4 — Pallets packaged with wooden slats (for easier handling).
- 5 — Each product is labelled with a bar code.
- 6 — Wide selection of products for 0.6 - 0.8 - 1 mm thicknesses.

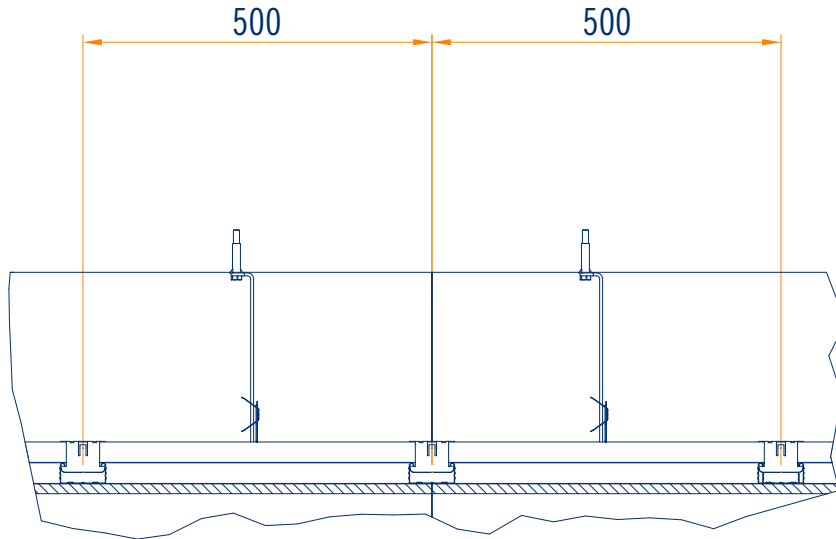


AXONOMETRIC VIEW FOR METALSTAMPI PRODUCTS STEEL PROFILES FOR WALL AND SUSPENDED CEILING

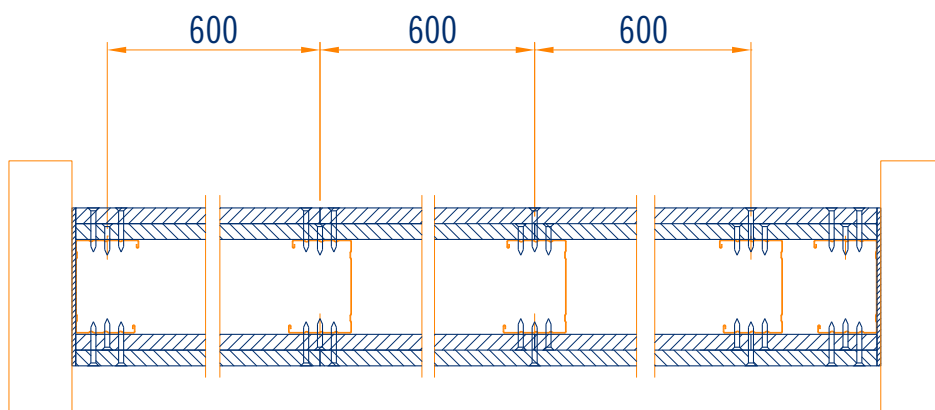


Pos.	Description	Code
1	U-TRACK U/40/75/40/0.6	PU75403000
2	U-TRACK U/30/28/30	PU28303000
3	C-STUD C/27/60/27	PC60273000BI
4	C-STUD C/50/74/47/3000/0.6	PC75503000
5	SLAB	
6	PLASTERBOARD COVERING	
7	WALLS	

ASSEMBLY DIAGRAM



section B-B
(1:10)



section A-A
(1:10)

U-TRACK 0.6 MM

28/16/28 - 30/28/30



Item	Description	Dimension and thickness	Weight per pallet	MI per pkg.	Application	Sales unit
	U-track U/28/16/28	b 16 h 28 s 0.6			suspended ceiling (only perimeter U-track) double wall	160 total pieces 20 package with 8 pieces each
PU16283000	U/28/16/28/3000/0.6	l 3000	156.00	480.00		
PU16284000	U/28/16/28/4000/0.6	l 4000	208.00	640.00		

axonometric view scale 1:5

front view scale 1:2

Item	Description	Dimension and thickness	Weight per pallet	MI per pkg.	Application	Sales unit
	U-track U/30/28/30	b 28 h 30 s 0.6			suspended ceiling (only perimeter U-track) double wall	300 total pieces 25 package with 12 pieces each
PU28303000	U/30/28/30/3000/0.6	l 3000	431.57	900.00		
PU28304000	U/30/28/30/4000/0.6	l 4000	575.43	1200.00		

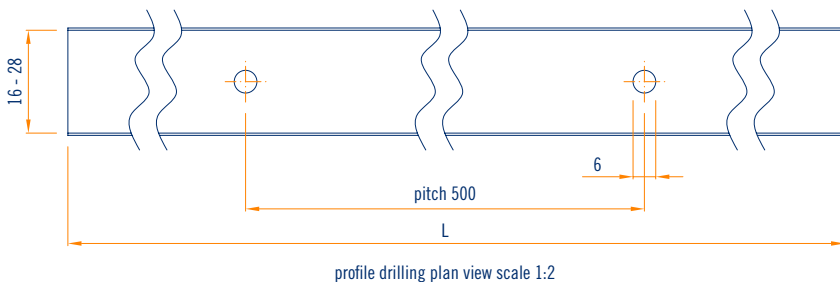
axonometric view scale 1:5

front view scale 1:2

Item	Description	Dimension and thickness	Weight per pallet	MI per pkg.	Application	Sales unit
	U-track U/48/28/30	b 28 h 48 s 0.6			suspended ceiling (only perimeter U-track) double wall	320 total pieces 20 package with 16 pieces each
PU28483000	U/30/28/48/3000/0.6	l 3000	480.00	960.00		

axonometric view scale 1:2

front view scale 1:2

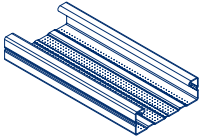


C-STUD 0.6 MM

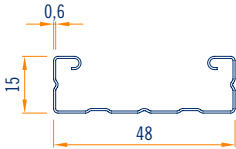
15/48/15 BA-BS - 27/48/27 BA-BS - 27/60/27 BI-BA



Item	Description	Dimension and thickness	Weight per pallet	MI per pkg.	Application	Sales unit
	C-stud with rounded edge C/15/48/15	b 48 h 15 s 0.6			suspended ceiling double wall	192 total pieces 24 package with 8 pieces each
PC50153000BA	C/15/48/15/3000/0.6	l 3000	255.06	576.00		
PC50154000BA	C/15/48/15/4000/0.6	l 4000	340.08	768.00		

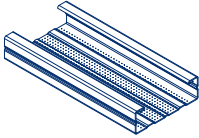


axonometric view scale 1:5

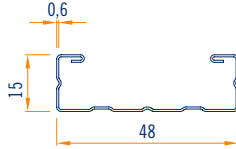


front view scale 1:2

Item	Description	Dimension and thickness	Weight per pallet	MI per pkg.	Application	Sales unit
	C-stud with flattened edge C/15/48/15	b 48 h 15 s 0.6			suspended ceiling double wall	192 total pieces 24 package with 8 pieces each
PC50153000BS	C/15/48/15/3000/0.6	l 3000	255.06	576.00		
PC50154000BS	C/15/48/15/4000/0.6	l 4000	340.08	768.00		

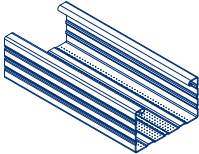


axonometric view scale 1:5

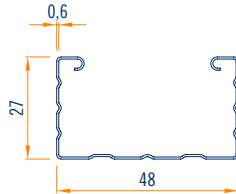


front view scale 1:2

Item	Description	Dimension and thickness	Weight per pallet	MI per pkg.	Application	Sales unit
	C-stud with rounded edge C/27/48/27	b 48 h 27 s 0.6			suspended ceiling double wall	120 total pieces 15 package with 8 pieces each
PC50272800BA	C/27/48/27/2800/0.6	l 2800	185.06	336.00		
PC50273000BA	C/27/48/27/3000/0.6	l 3000	198.29	360.00		
PC50273500BA	C/27/48/27/3500/0.6	l 3500	231.20	420.00		
PC50274000BA	C/27/48/27/4000/0.6	l 4000	264.38	480.00		
PC50275000BA	C/27/48/27/5000/0.6	l 5000	330.48	600.00		

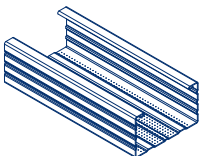


axonometric view scale 1:5

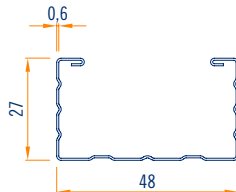


front view scale 1:2

Item	Description	Dimension and thickness	Weight per pallet	MI per pkg.	Application	Sales unit
	C-stud with flattened edge C/27/48/27	b 48 h 27 s 0.6			suspended ceiling double wall	120 total pieces 15 package with 8 pieces each
PC50273000BS	C/27/48/27/3000/0.6	l 3000	198.29	360.00		
PC50273500BS	C/27/48/27/3500/0.6	l 3500	231.20	420.00		
PC50274000BS	C/27/48/27/4000/0.6	l 4000	264.38	480.00		



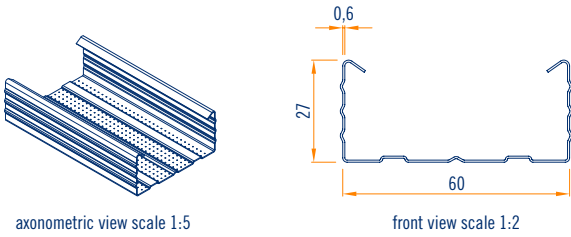
axonometric view scale 1:5



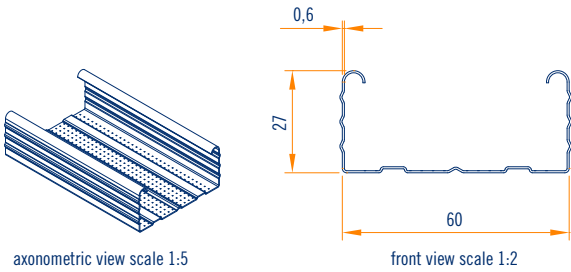
front view scale 1:2

188 FLASHLINE HARD

Item	Description	Dimension and thickness	Weight per pallet	MI per pkg.	Application	Sales unit
	C- stud with angled edge C/27/60/27	b 60 h 27 s 0.6			suspended ceiling double wall	120 total pieces 15 package with 8 pieces each
PC60273000BI	C/27/60/27/3000/0.6	l 3000	206.06	360.00		
PC60274000BI	C/27/60/27/4000/0.6	l 4000	274.75	480.00		



Item	Description	Dimension and thickness	Weight per pallet	MI per pkg.	Application	Sales unit
	C- stud C/27/60/27 rounded edge	b 60 h 27 s 0.6			suspended ceiling double wall	120 total pieces 15 package with 8 pieces each
PC60273000BA	C/27/60/27/3000/0.6	l 3000	206.06	360.00		
PC60274000BA	C/27/60/27/4000/0.6	l 4000	274.75	480.00		

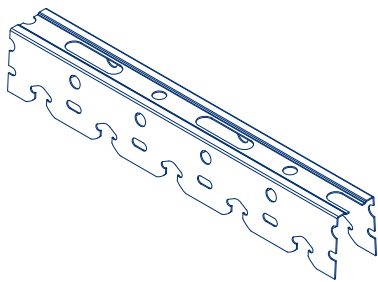


CLICK-ON U-TRACK U 0.7 MM

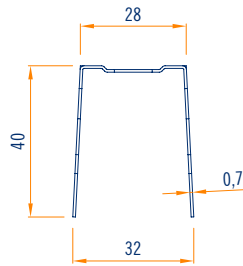
40/28/40 BA



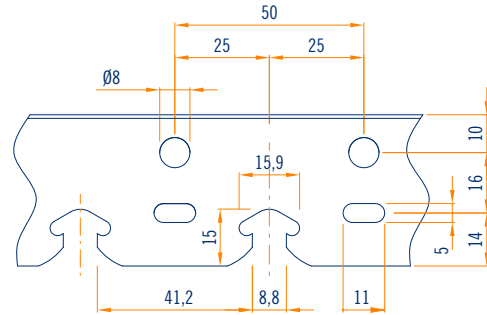
Item	Description	Dimension and thickness	Weight per pallet	MI per pkg.	Application	Sales unit
	click-on U-track U/40/28/40 with rounded edge	b 28 h 40 s 0.7			suspended ceiling double wall	120 total pieces 15 package with 8 pieces each
PU28403000BA	U/40/28/40/3000/0.7	l 3000	205.74	360.00		
PU28404000BA	U/40/28/40/4000/0.7	l 4000	273.60	480.00		



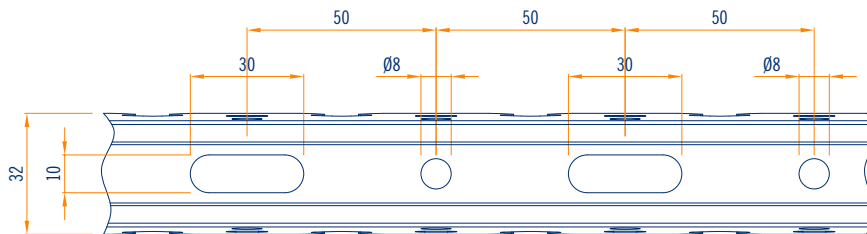
axonometric view scale 1:5



front view scale 1:2



profile drilling side view scale 1:2

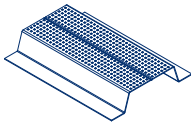


profile drilling plan view scale 1:2

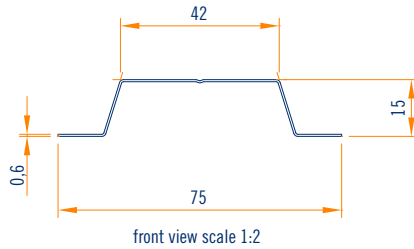
W OMEGA PROFILE 0.6 MM



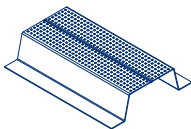
Item	Description	Dimension and thickness	Weight per pallet	MI per pkg.	Application	Sales unit
PW42153000	W omega profile	b 42 h 15 s 0.6	240.00	600.00	double wall	200 pcs total 20 package with 10 pieces each
	W/12/15/42/15/12/75 3000/0.6 - h 15	l 3000				



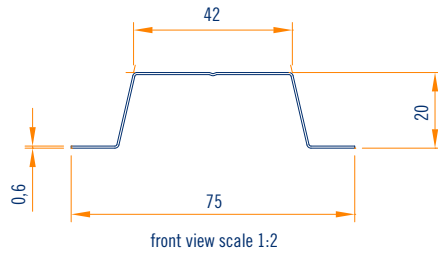
axonometric view scale 1:5



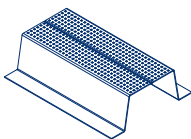
Item	Description	Dimension and thickness	Weight per pallet	MI per pkg.	Application	Sales unit
PW42203000	W omega profile	b 42 h 20 s 0.6	256.00	600.00	double wall	200 pcs total 20 package with 10 pieces each
	W/12/20/42/20/12/75 3000/0.6 - h 20	l 3000				



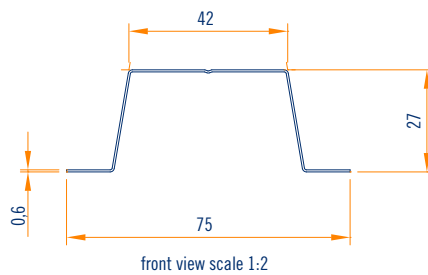
axonometric view scale 1:5



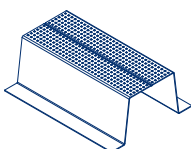
Item	Description	Dimension and thickness	Weight per pallet	MI per pkg.	Application	Sales unit
PW42273000	W omega profile	b 42 h 27 s 0.6	288.00	600.00	double wall	200 pcs total 20 package with 10 pieces each
	W/12/27/42/27/12/75 3000/0.6 - h 27	l 3000				



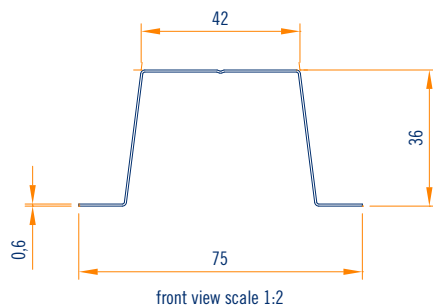
axonometric view scale 1:5



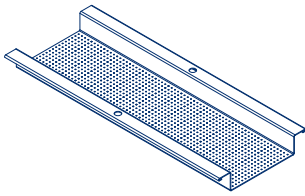
Item	Description	Dimension and thickness	Weight per pallet	MI per pkg.	Application	Sales unit
PW42363000	W omega profile	b 42 h 36 s 0.6	304.00	600.00	double wall	200 pcs total 20 package with 10 pieces each
	W/12/36/42/36/12/75 3000/0.6 - h 36	l 3000				



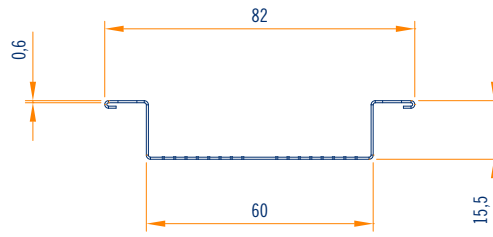
axonometric view scale 1:5



Item	Description	Dimension and thickness	Weight per pallet	MI per pkg.	Application	Sales unit
	W omega profile	b 60 h 15.5 s 0.6			double wall	300 pcs total 30 package with 10 pieces each
PW60154000	W/11/15.5/60/15.5/11/82 40000/0.6	l 4000	672.00	1200		

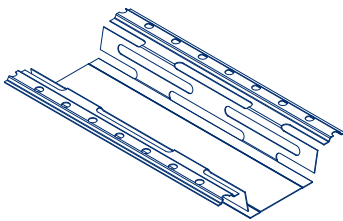


axonometric view scale 1:5

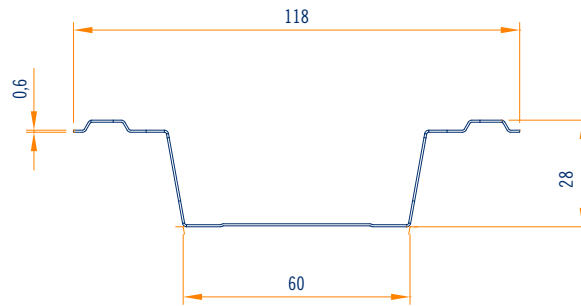


front view scale 1:2

Item	Description	Dimension and thickness	Weight per pallet	MI per pkg.	Application	Sales unit
	W omega profile	b 60 h 28 s 0.6			double wall	360 pcs total 36 package with 10 pieces each
PW60284000	W/25/28/60/28/25/118 4000/0.6	l 4000	993.60	1440		



axonometric view scale 1:5



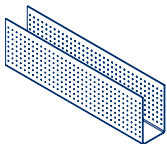
front view scale 1:2

U-TRACK 0.6 MM

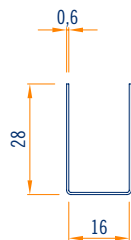
28/16/28 - 28/21/28 - 30/28/30 - 30/37/30



Item	Description	Dimension and thickness	Weight per pallet	MI per pkg.	Application	Sales unit
	U-track U/28/16/28 h 16	b 16 h 28 s 0.6			suspended ceiling (only perimeter U-track)	160 pcs total 20 package with 8 pieces each
PU16283000	U/28/16/28/3000/0.6	l 3000	156.00	480.00	double wall	



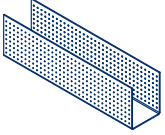
axonometric view scale 1:5



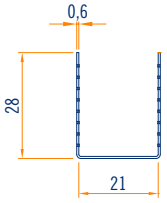
front view scale 1:2

192 FLASHLINE HARD

Item	Description	Dimension and thickness	Weight per pallet	MI per pkg.	Application	Sales unit
	U-track U/28/21/28 h 21	b 21 h 28 s 0.6			suspended ceiling (only perimeter U-track) double wall	240 pcs total 20 package with 12 pieces each
PU21283000	U/28/21/28/3000/0.6	l 3000	267.00	720.00		



axonometric view scale 1:5

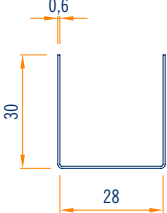


front view scale 1:2

Item	Description	Dimension and thickness	Weight per pallet	MI per pkg.	Application	Sales unit
	U-track U/30/28/30 h 28	b 28 h 30 s 0.6			suspended ceiling (only perimeter U-track) double wall	300 pcs total 25 package with 12 pieces each
PU28303000	U/30/28/30/3000/0.6	l 3000	431.57	900.00		

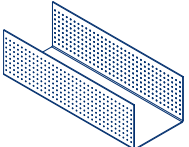


axonometric view scale 1:5

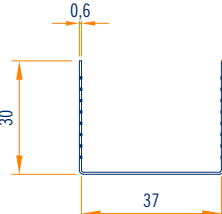


front view scale 1:2

Item	Description	Dimension and thickness	Weight per pallet	MI per pkg.	Application	Sales unit
	U-track U/30/37/30 h 37	b 37 h 30 s 0.6			suspended ceiling (only perimeter U-track) double wall	240 pcs total 20 package with 12 pieces each
PU37303000	U/30/37/30/3000/0.6	l 3000	318.00	720.00		



axonometric view scale 1:5



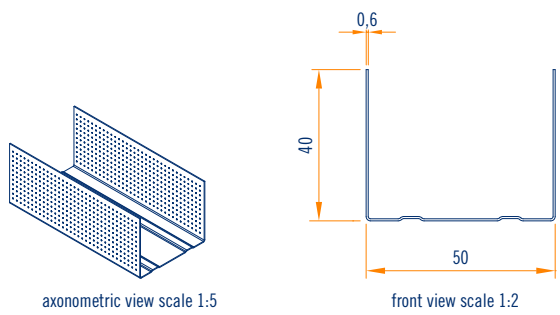
front view scale 1:2

U-TRACK 0.6 MM

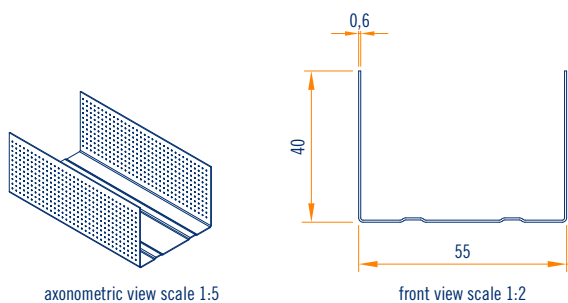
40/50/40 - 40/55/40 - 40/75/40 - 40/100/40 - 40/125/40 - 40/150/40



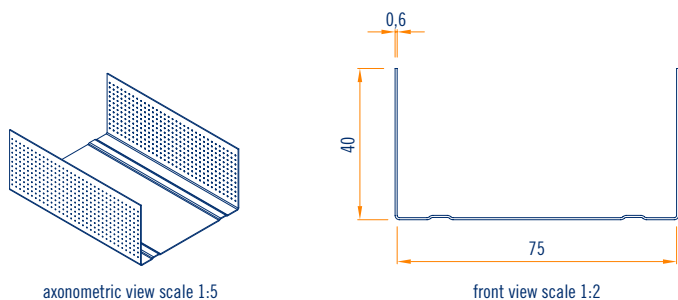
Item	Description	Dimension and thickness	Weight per pallet	MI per pkg.	Application	Sales unit
	U-track U/40/50/40	b 50 h 40 s 0.6			double wall dividing wall	120 total pieces 15 package with 8 pieces each
PU50403000	U/40/50/40/3000/0.6	l 3000	213.84	360.00		
PU50404000	U/40/50/40/4000/0.6	l 4000	285.12	480.00		



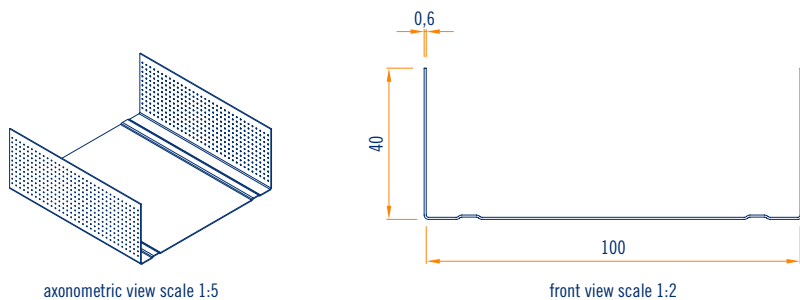
Item	Description	Dimension and thickness	Weight per pallet	MI per pkg.	Application	Sales unit
	U-track U/40/55/40	b 55 h 40 s 0.6			double wall dividing wall	120 total pieces 15 package with 8 pieces each
PU55403000	U/40/55/40/3000/0.6	l 3000	223.20	360.00		
PU55404000	U/40/55/40/4000/0.6	l 4000	297.60	480.00		



Item	Description	Dimension and thickness	Weight per pallet	MI per pkg.	Application	Sales unit
	U-track U/40/75/40	b 75 h 40 s 0.6			double wall dividing wall	120 total pieces 15 package with 8 pieces each
PU75403000	U/40/75/40/3000/0.6	l 3000	256.61	360.00		
PU75404000	U/40/75/40/4000/0.6	l 4000	342.14	480.00		

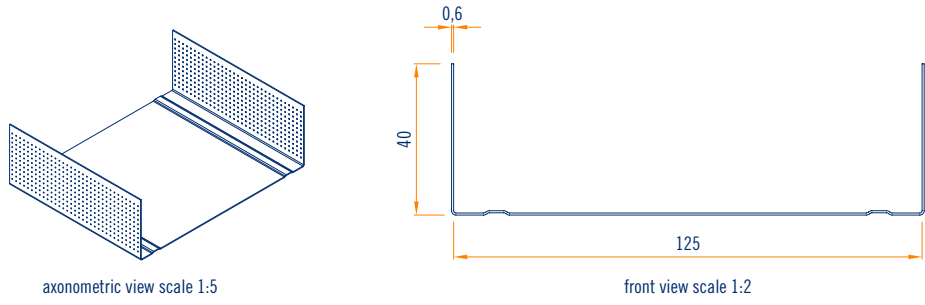


Item	Description	Dimension and thickness	Weight per pallet	MI per pkg.	Application	Sales unit
	U-track U/40/100/40	b 100 h 40 s 0.6			double wall dividing wall	120 total pieces 15 package with 8 pieces each
PU100403000	U/40/100/40/3000/0.6	l 3000	295.49	360.00		
PU100404000	U/40/100/40/4000/0.6	l 4000	393.98	480.00		

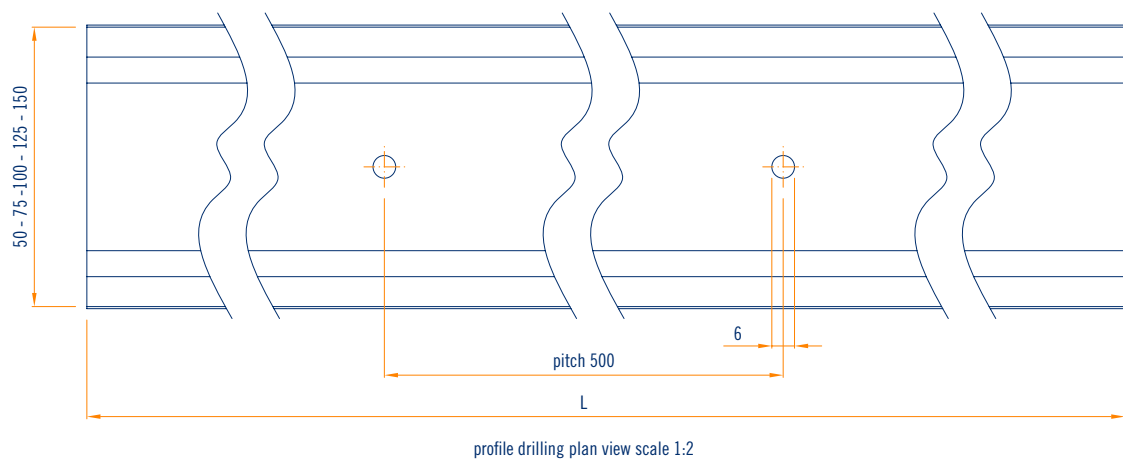
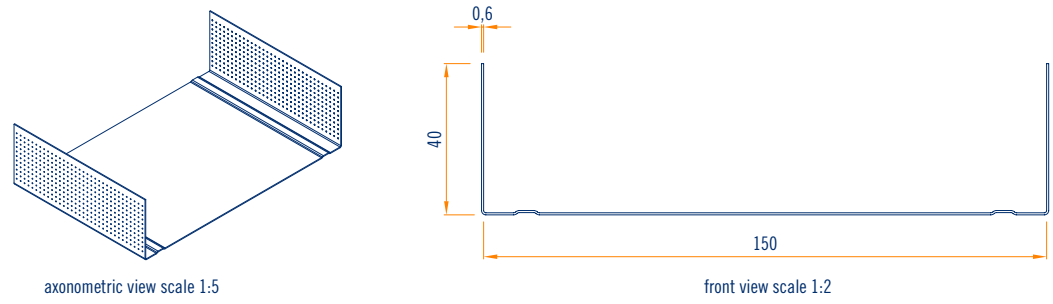


194 FLASHLINE HARD

Item	Description	Dimension and thickness	Weight per pallet	MI per pkg.	Application	Sales unit
	U-track U/40/125/40	b 125 h 40 s 0.6			double wall dividing wall	80 total pieces 20 package with 4 pieces each
PU125403000	U/40/125/40/3000/0.6	l 3000	228.00	240.00		
PU125404000	U/40/125/40/4000/0.6	l 4000	304.00	320.00		



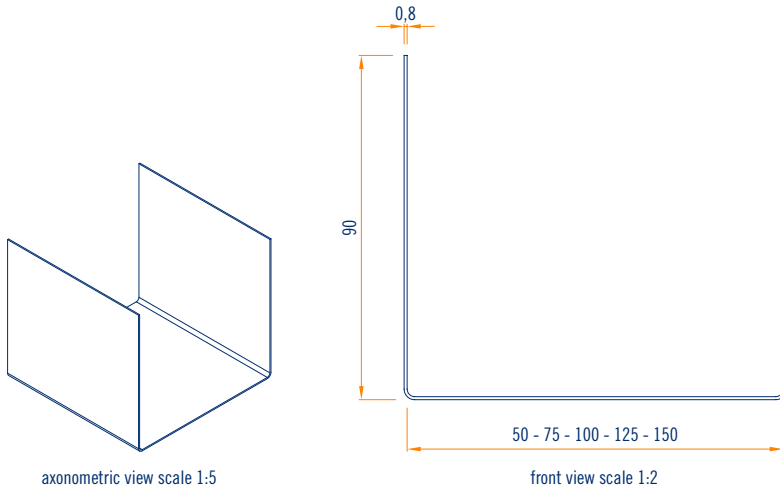
Item	Description	Dimension and thickness	Weight per pallet	MI per pkg.	Application	Sales unit
	U-track U/40/150/40	b 150 h 40 s 0.6			double wall dividing wall	80 total pieces 20 package with 4 pieces each
PU150403000	U/40/150/40/3000/0.6	l 3000	256.80	240.00		
PU150404000	U/40/150/40/4000/0.6	l 4000	342.40	320.00		



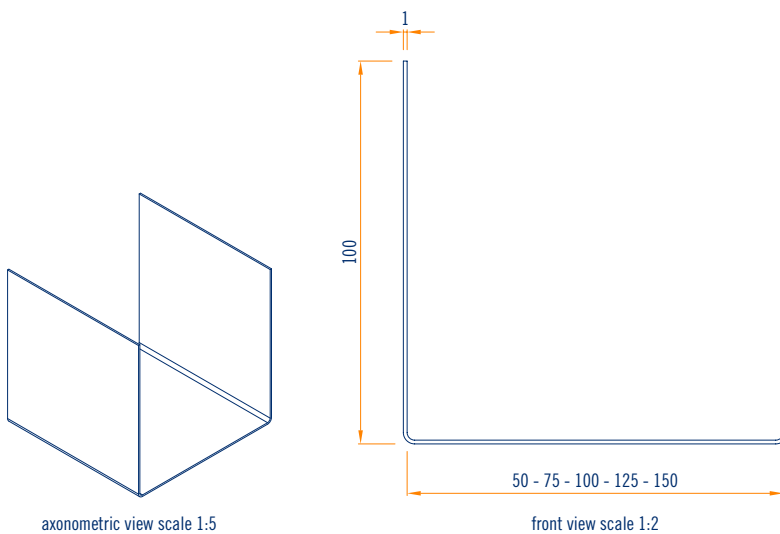
U-TRACK 0.8-1 MM



Item	Description	Dimension and thickness	Weight per pallet	MI per pkg.	Application	Sales unit
	U-track H 90 S 0.8	b 50-75-100-125-150 h 90 s 0.8			double wall dividing wall	4 total pieces
PU50903000.8	U/90/50/90/3000/0.8	l 3000	15.12	12.00		
PU75903000.8	U/90/75/90/3000/0.8	l 3000	16.80	12.00		
PU100903000.8	U/90/100/90/3000/0.8	l 3000	18.48	12.00		
PU125903000.8	U/90/125/90/3000/0.8	l 3000	20.16	12.00		
PU150903000.8	U/90/150/90/3000/0.8	l 3000	21.72	12.00		



Item	Description	Dimension and thickness	Weight per pallet	MI per pkg.	Application	Sales unit
	U-track H 100 S 1	b 50-75-100-125-150 h 100 s 1			double wall dividing wall	4 total pieces
PU501003000.1	U/100/50/100/3000/1	l 3000	23.52	12.00		
PU751003000.1	U/100/75/100/3000/1	l 3000	25.92	12.00		
PU1001003000.1	U/100/100/100/3000/1	l 3000	28.32	12.00		
PU1251003000.1	U/100/125/100/3000/1	l 3000	30.60	12.00		
PU1501003000.1	U/100/150/100/3000/1	l 3000	33.00	12.00		



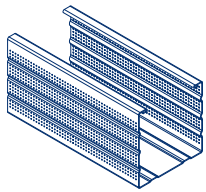
C-STUD 0.6 MM

50/49/47 - 50/54/47 - 50/74/47 - 50/99/47 - 50/124/47 - 50/149/47

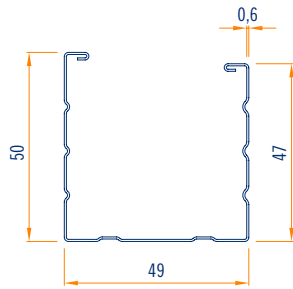


Item	Description	Dimension and thickness	Weight per pallet	MI per pkg.	Application	Sales unit
	C-stud C/50/49/47	b 49 h 50 s 0.6			double wall dividing wall	120 total pieces 15 package with 8 pieces each
PC50502500	C/50/49/47/2500/0.6	l 2500	223.56	300.00		
PC50502700	C/50/49/47/2700/0.6	l 2700	241.45	324.00		
PC50502800	C/50/49/47/2800/0.6	l 2800	250.39	336.00		
PC50503000	C/50/49/47/3000/0.6	l 3000	268.27	360.00		
PC50503200	C/50/49/47/3200/0.6	l 3200	286.16	384.00		
PC50503500	C/50/49/47/3500/0.6	l 3500	312.98	420.00		
PC50504000	C/50/49/47/4000/0.6	l 4000	357.70	480.00		
PC50504500	C/50/49/47/4500/0.6	l 4500	402.41	540.00		
PC50505000	C/50/49/47/5000/0.6	l 5000	447.12	600.00		
PC50506000	C/50/49/47/6000/0.6	l 6000	536.54	720.00		

other lengths upon request



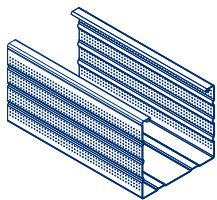
axonometric view scale 1:5



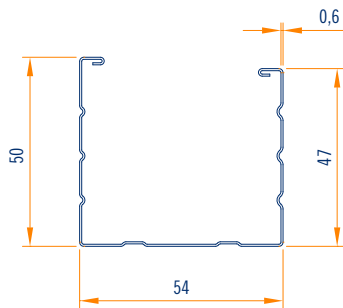
front view scale 1:2

Item	Description	Dimension and thickness	Weight per pallet	MI per pkg.	Application	Sales unit
	C-stud C/50/54/47	b 54 h 50 s 0.6			double wall dividing wall	120 total pieces 15 package with 8 pieces each
PC55503000	C/50/54/47/3000/0.6	l 3000	280.80	360.00		
PC55504000	C/50/54/47/4000/0.6	l 4000	374.40	480.00		

other lengths upon request



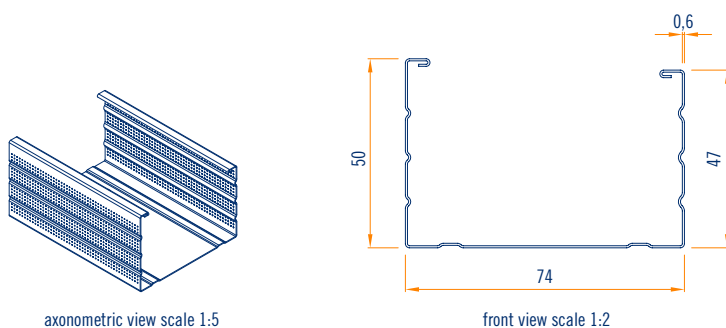
axonometric view scale 1:5



front view scale 1:2

Item	Description	Dimension and thickness	Weight per pallet	MI per pkg.	Application	Sales unit
	C-stud C/50/74/47	b 74 h 50 s 0.6			double wall dividing wall	120 total pieces 15 package with 8 pieces each
PC75502500	C/50/74/47/2500/0.6	I 2500	259.20	300.00		
PC75502700	C/50/74/47/2700/0.6	I 2700	280.00	324.00		
PC75502800	C/50/74/47/2800/0.6	I 2800	290.30	336.00		
PC75503000	C/50/74/47/3000/0.6	I 3000	311.04	360.00		
PC75503200	C/50/74/47/3200/0.6	I 3200	362.88	384.00		
PC75503500	C/50/74/47/3500/0.6	I 3500	414.72	420.00		
PC75504000	C/50/74/47/4000/0.6	I 4000	466.56	480.00		
PC75504500	C/50/74/47/4500/0.6	I 4500	518.40	540.00		
PC75505000	C/50/74/47/5000/0.6	I 5000	570.24	600.00		
PC75505500	C/50/74/47/5500/0.6	I 5500	570.24	660.00		
PC75506000	C/50/74/47/6000/0.6	I 6000	622.08	720.00		

other lengths upon request

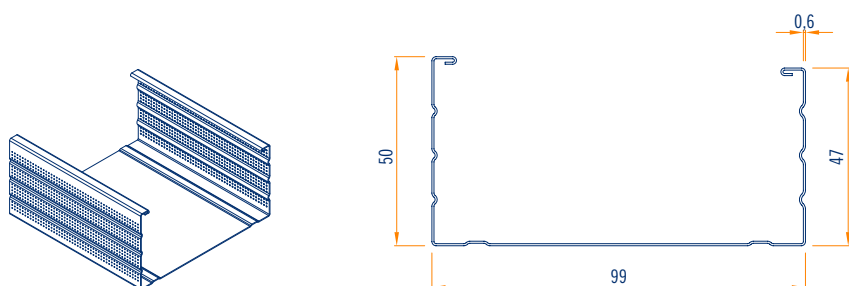


axonometric view scale 1:5

front view scale 1:2

Item	Description	Dimension and thickness	Weight per pallet	MI per pkg.	Application	Sales unit
	C-stud C/50/99/47	b 99 h 50 s 0.6			double wall dividing wall	120 total pieces 15 package with 8 pieces each
PC100502500	C/50/99/47/2500/0.6	I 2500	294.00	300.00		
PC100502800	C/50/99/47/2800/0.6	I 2800	329.28	336.00		
PC100503000	C/50/99/47/3000/0.6	I 3000	353.81	360.00		
PC100503200	C/50/99/47/3200/0.6	I 3200	377.40	384.00		
PC100503500	C/50/99/47/3500/0.6	I 3500	411.60	420.00		
PC100504000	C/50/99/47/4000/0.6	I 4000	471.74	480.00		
PC100504500	C/50/99/47/4500/0.6	I 4500	529.30	540.00		
PC100505000	C/50/99/47/5000/0.6	I 5000	588.00	600.00		
PC100505500	C/50/99/47/5500/0.6	I 5500	646.80	660.00		
PC100506000	C/50/99/47/6000/0.6	I 6000	705.60	720.00		

other lengths upon request



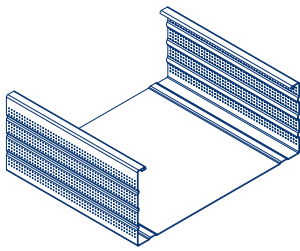
axonometric view scale 1:5

front view scale 1:2

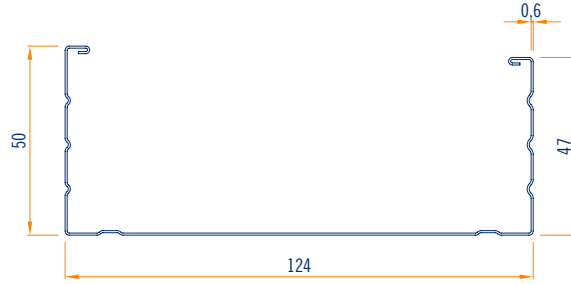
198 FLASHLINE HARD

Item	Description	Dimension and thickness	Weight per pallet	MI per pkg.	Application	Sales unit
	C-stud C/50/124/47	b 124 h 50 s 0.6			double wall dividing wall	80 total pieces 20 package with 4 pieces each
PC125503000	C/50/124/47/3000/0.6	l 3000	266.40	240.00		
PC125504000	C/50/124/47/4000/0.6	l 4000	355.20	320.00		
PC125505000	C/50/124/47/5000/0.6	l 5000	444.00	400.00		
PC125506000	C/50/124/47/6000/0.6	l 6000	532.80	480.00		

other lengths upon request



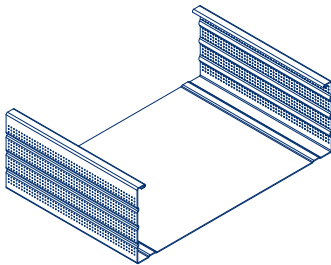
axonometric view scale 1:5



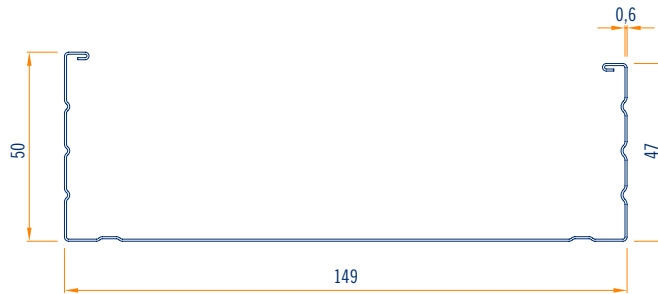
front view scale 1:2

Item	Description	Dimension and thickness	Weight per pallet	MI per pkg.	Application	Sales unit
	C-stud C/50/149/47	b 149 h 50 s 0.6			double wall dividing wall	80 total pieces 20 package with 4 pieces each
PC150503000	C/50/149/47/3000/0.6	l 3000	292.80	240.00		
PC150504000	C/50/149/47/4000/0.6	l 4000	390.40	320.00		
PC150505000	C/50/149/47/5000/0.6	l 5000	488.00	400.00		
PC150506000	C/50/149/47/6000/0.6	l 6000	585.60	480.00		

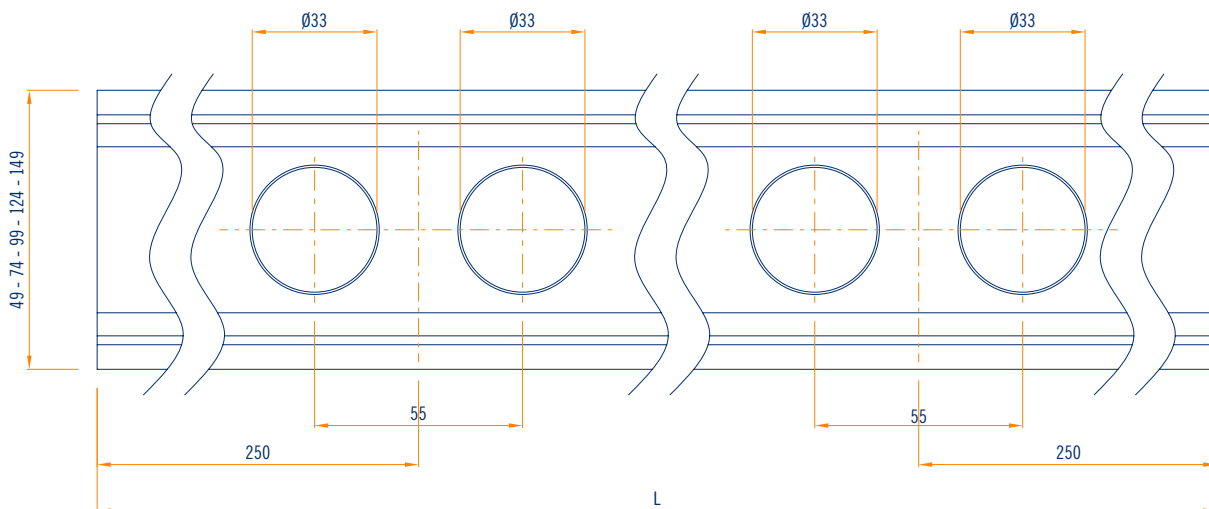
other lengths upon request



axonometric view scale 1:5



front view scale 1:2



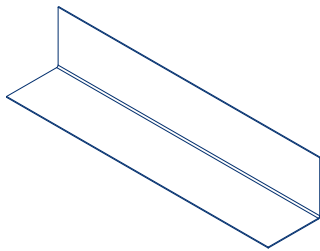
profile drilling plan view scale 1:2

L ANGLE 0.6 MM

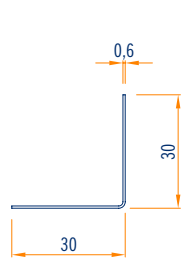
30/30 - 40/40 - 50/50



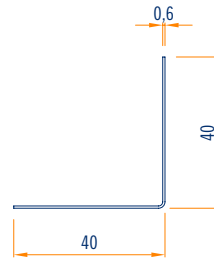
Item	Description	Dimension and thickness	Weight per pallet	MI per pkg.	Application	Sales unit
PL30303000	L angle 30/30 L/30/30/3000/0.6	b 30 h 30 s 0.6 l 3000	8.40	30.00	double wall dividing wall	10 total pieces
PL40403000	L angle 30/30 L/40/40/3000/0.6	b 40 h 40 s 0.6 l 3000	11.10	30.00	double wall dividing wall	10 total pieces
PL50503000	L angle 30/30 L/50/50/3000/0.6	b 50 h 50 s 0.6 l 3000	14.40	30.00	double wall dividing wall	10 total pieces



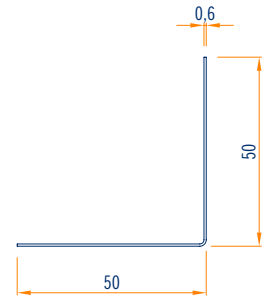
axonometric view scale 1:5



front view scale 1:2



front view scale 1:2



front view scale 1:2

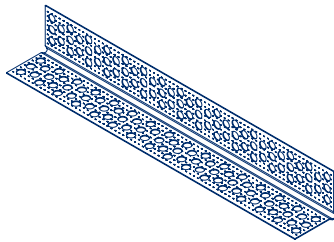
90° CORNER BEAD

L/30/30

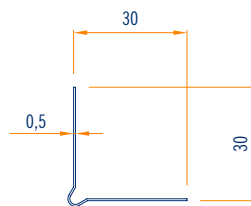


Item	Description	Dimension and thickness	Weight per pallet	MI per pkg.	Application	Sales unit
PF3030.90	90° corner bead L/30/30	b 30 h 30 s 0.5			suspended ceiling double wall dividing wall	500 pcs total 50 package with 10 pieces each

other lengths upon request



axonometric view scale 1:5



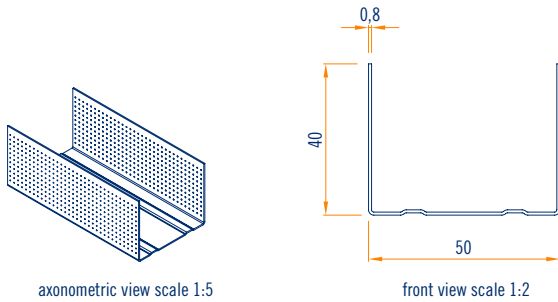
front view scale 1:2

U-TRACK 0.8 MM

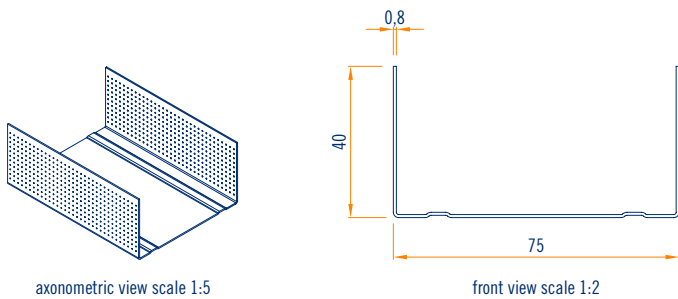
40/50/40 - 40/75/40 - 40/100/40 - 40/125/40 - 40/150/40



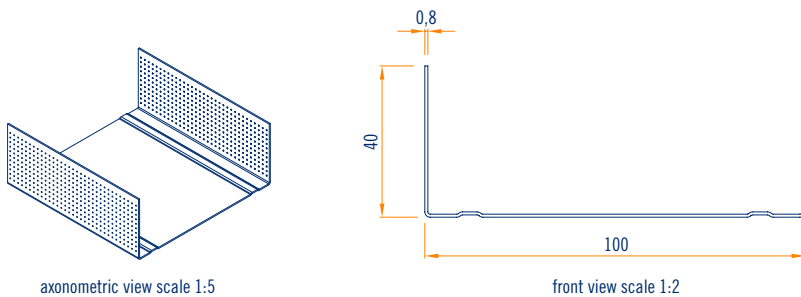
Item	Description	Dimension and thickness	Weight per pallet	MI per pkg.	Application	Sales unit
	U-track U/40/50/40	b 50 h 40 s 0.8			double wall dividing wall	15 package with 8 pieces each
PU50403000.8	U/40/50/40/3000/0.8	l 3000	288.00	360.00		
PU50404000.8	U/40/50/40/4000/0.8	l 4000	384.00	480.00		



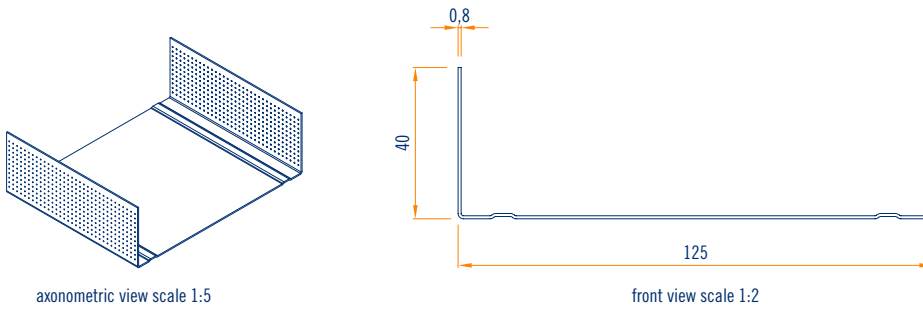
Item	Description	Dimension and thickness	Weight per pallet	MI per pkg.	Application	Sales unit
	U-track U/40/75/40	b 75 h 40 s 0.8			double wall dividing wall	120 total pieces 15 package with 8 pieces each
PU75403000.8	U/40/75/40/3000/0.8	l 3000	342.00	360.00		
PU75404000.8	U/40/75/40/4000/0.8	l 4000	456.00	480.00		



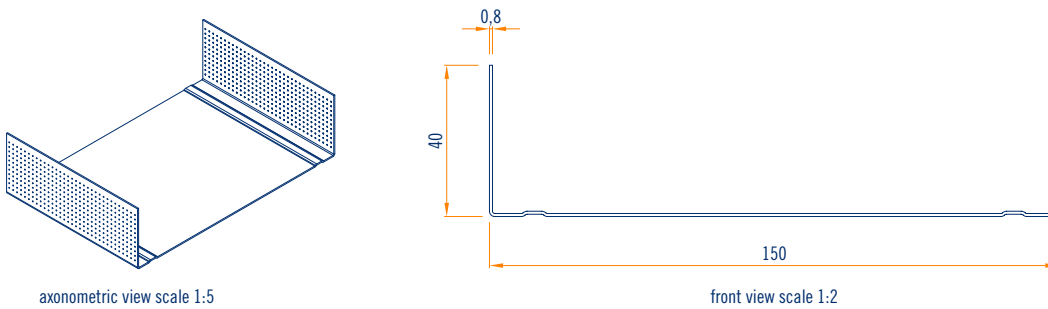
Item	Description	Dimension and thickness	Weight per pallet	MI per pkg.	Application	Sales unit
	U-track U/40/100/40	b 100 h 40 s 0.8			double wall dividing wall	120 total pieces 15 package with 8 pieces each
PU100403000.8	U/40/100/40/3000/0.8	l 3000	399.60	360.00		
PU100404000.8	U/40/100/40/4000/0.8	l 4000	532.80	480.00		



Item	Description	Dimension and thickness	Weight per pallet	MI per pkg.	Application	Sales unit
	U-track U/40/125/40	b 125 h 40 s 0.8			double wall dividing wall	80 total pieces 20 package with 4 pieces each
PU125403000.8	U/40/125/40/3000/0.8	I 3000	304.80	240.00		
PU125404000.8	U/40/125/40/4000/0.8	I 4000	406.40	320.00		



Item	Description	Dimension and thickness	Weight per pallet	MI per pkg.	Application	Sales unit
	U-track U/40/150/40	b 150 h 40 s 0.8			double wall dividing wall	80 total pieces 20 package with 4 pieces each
PU150403000.8	U/40/150/40/3000/0.8	I 3000	343.20	240.00		
PU150404000.8	U/40/150/40/4000/0.8	I 4000	457.60	320.00		



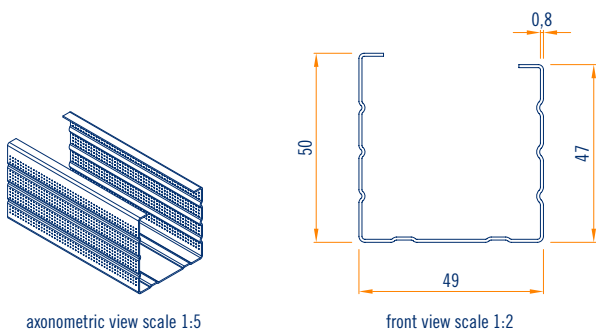
C-STUD 0.8 MM

50/49/47 - 50/74/47 - 50/99/47 - 50/124/47 - 50/149/47



Item	Description	Dimension and thickness	Weight per pallet	MI per pkg.	Application	Sales unit
	C-stud C/50/49/47	b 49 h 50 s 0.8			double wall dividing wall	120 total pieces 15 package with 8 pieces each
PC50503000.8	C/50/49/47/3000/0.8	I 3000	345.60	360.00		
PC50504000.8	C/50/49/47/4000/0.8	I 4000	460.80	480.00		

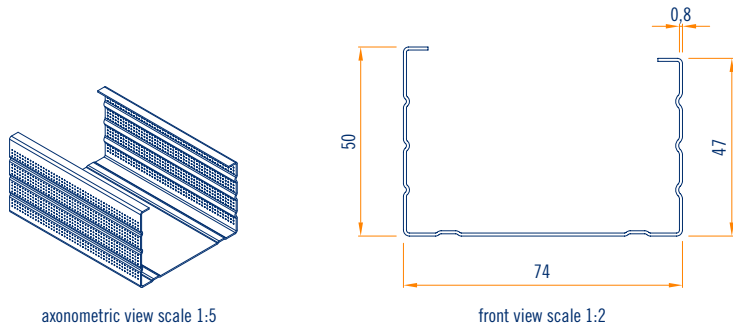
other lengths upon request



202 FLASHLINE HARD

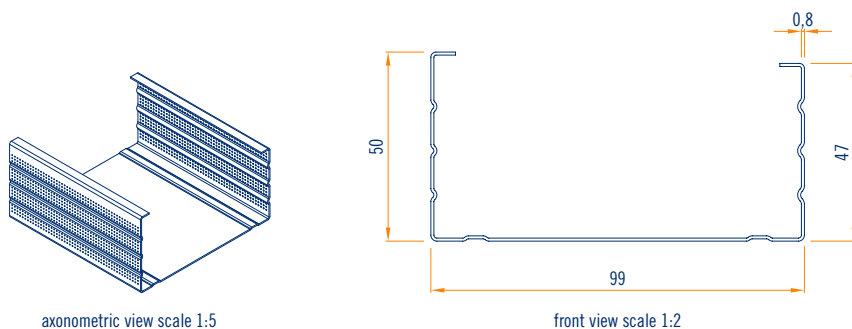
Item	Description	Dimension and thickness	Weight per pallet	MI per pkg.	Application	Sales unit
	C-stud C/50/74/47	b 74 h 50 s 0.8			double wall dividing wall	120 total pieces 15 package with 8 pieces each
PC75503000.8	C/50/74/47/3000/0.8	l 3000	403.20	360.00		
PC75504000.8	C/50/74/47/4000/0.8	l 4000	537.60	480.00		

other lengths upon request



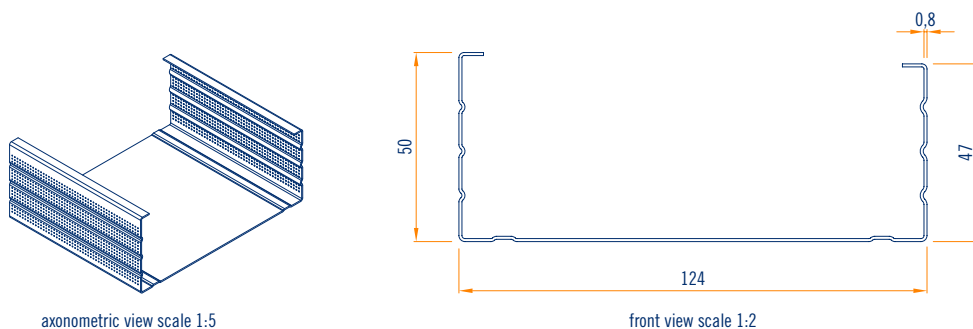
Item	Description	Dimension and thickness	Weight per pallet	MI per pkg.	Application	Sales unit
	C-stud C/50/99/47	b 99 h 50 s 0.8			double wall dividing wall	120 total pieces 15 package with 8 pieces each
PC100503000.8	C/50/99/47/3000/0.8	l 3000	457.20	360.00		
PC100504000.8	C/50/99/47/4000/0.8	l 4000	609.60	480.00		

other lengths upon request



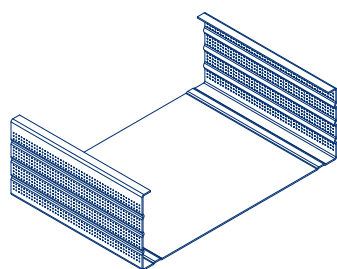
Item	Description	Dimension and thickness	Weight per pallet	MI per pkg.	Application	Sales unit
	C-stud C/50/124/47	b 124 h 50 s 0.8			double wall dividing wall	80 total pieces 20 package with 4 pieces each
PC125503000.8	C/50/124/47/3000/0.8	l 3000	343.20	240.00		
PC125504000.8	C/50/124/47/4000/0.8	l 4000	457.60	320.00		

other lengths upon request

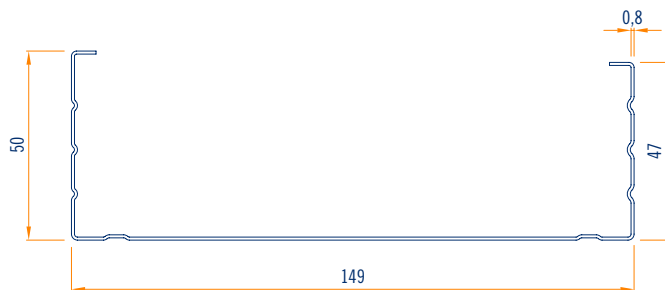


Item	Description	Dimension and thickness	Weight per pallet	MI per pkg.	Application	Sales unit
	C-stud C/50/149/47	b 149 h 50 s 0.8			double wall dividing wall	80 total pieces 20 package with 4 pieces each
PC150503000.8	C/50/149/47/3000/0.8	l 3000	381.60	240.00		
PC150504000.8	C/50/149/47/4000/0.8	l 4000	508.80	320.00		

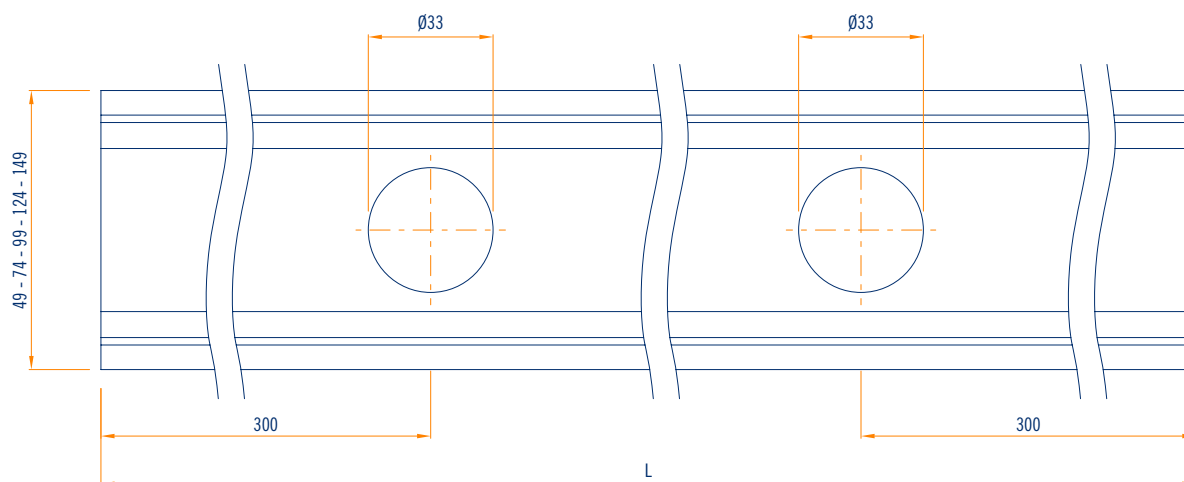
other lengths upon request



axonometric view scale 1:5



front view scale 1:2



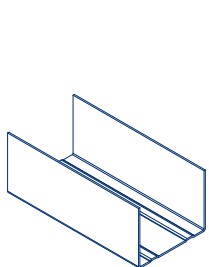
profile drilling plan view scale 1:2

U-TRACK 1 MM

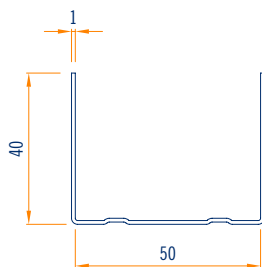
40/50/40 - 40/75/40 - 40/100/40 - 40/125/40 - 40/150/40



Item	Description	Dimension and thickness	Weight per pallet	MI per pkg.	Application	Sales unit
	U-track U/40/50/40	b 50 h 40 s 1			double wall dividing wall	120 total pieces 15 package with 8 pieces each
PU50403000.1	U/40/50/40/3000/1	l 3000	387.24	360.00		
PU50404000.1	U/40/50/40/4000/1	l 4000	516.33	480.00		



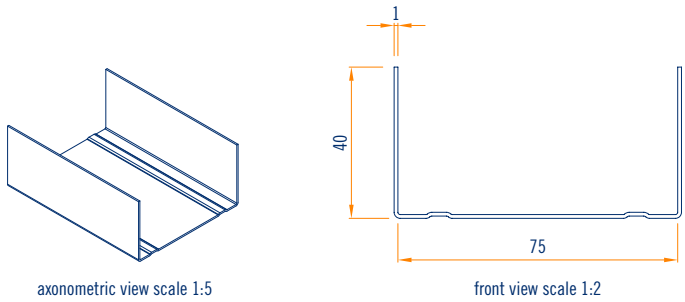
axonometric view scale 1:5



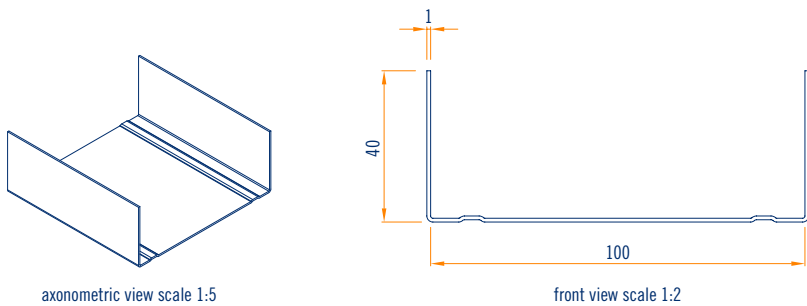
front view scale 1:2

204 FLASHLINE HARD

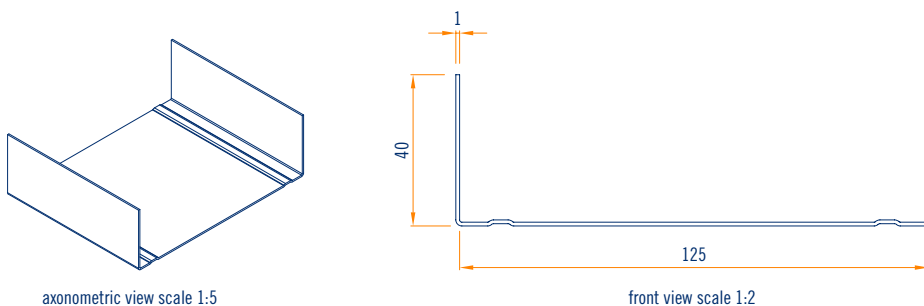
Item	Description	Dimension and thickness	Weight per pallet	MI per pkg.	Application	Sales unit
	U-track U/40/75/40	b 75 h 40 s 1			double wall dividing wall	120 total pieces 15 package with 8 pieces each
PU75403000.1	U/40/75/40/3000/1	l 3000	462.67	360.00		
PU75404000.1	U/40/75/40/4000/1	l 4000	616.89	480.00		



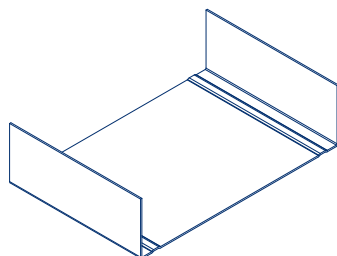
Item	Description	Dimension and thickness	Weight per pallet	MI per pkg.	Application	Sales unit
	U-track U/40/100/40	b 100 h 40 s 1			double wall dividing wall	120 total pieces 15 package with 8 pieces each
PU100403000.1	U/40/100/40/3000/1	l 3000	540.43	360.00		
PU100404000.1	U/40/100/40/4000/1	l 4000	720.58	480.00		



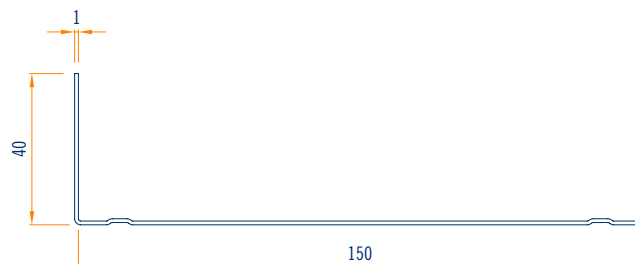
Item	Description	Dimension and thickness	Weight per pallet	MI per pkg.	Application	Sales unit
	U-track U/40/125/40	b 125 h 40 s 1			double wall dividing wall	80 total pieces 20 package with 4 pieces each
PU125403000.1	U/40/125/40/3000/1	l 3000	410.83	240.00		
PU125404000.1	U/40/125/40/4000/1	l 4000	548.12	320.00		



Item	Description	Dimension and thickness	Weight per pallet	MI per pkg.	Application	Sales unit
	U-track U/40/150/40	b 150 h 40 s 1			double wall dividing wall	80 total pieces 20 package with 4 pieces each
PU150403000.1	U/40/150/40/3000/1	l 3000	410.83	240.00		
PU150404000.1	U/40/150/40/4000/1	l 4000	615.86	320.00		



axonometric view scale 1:5



front view scale 1:2

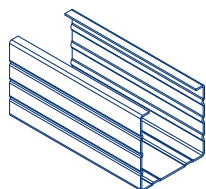
C-STUD 1 MM

50/49/47 - 50/74/47 - 50/99/47 - 50/124/47 - 50/149/47

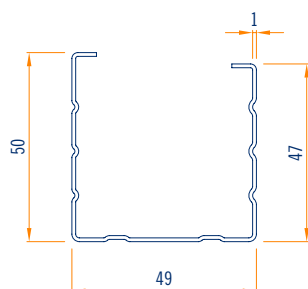


Item	Description	Dimension and thickness	Weight per pallet	MI per pkg.	Application	Sales unit
	C-stud C/50/49/47	b 49 h 50 s 1			double wall dividing wall	120 total pieces 15 package with 8 pieces each
PC50503000.1	C/50/49/47/3000/1	l 3000	466.56	360.00		
PC50504000.1	C/50/49/47/4000/1	l 4000	622.10	480.00		

other lengths upon request



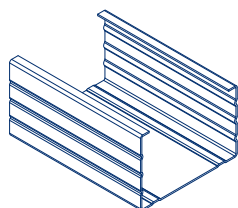
axonometric view scale 1:5



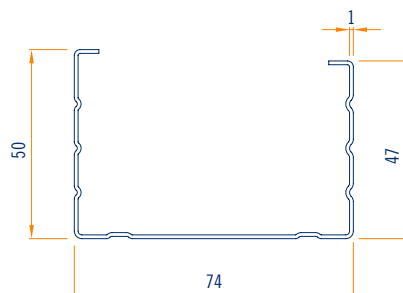
front view scale 1:2

Item	Description	Dimension and thickness	Weight per pallet	MI per pkg.	Application	Sales unit
	C-stud C/50/74/47	b 74 h 50 s 1			double wall dividing wall	120 total pieces 15 package with 8 pieces each
PC75503000.1	C/50/74/47/3000/1	l 3000	543.15	360.00		
PC75504000.1	C/50/74/47/4000/1	l 4000	724.20	480.00		

other lengths upon request



axonometric view scale 1:5

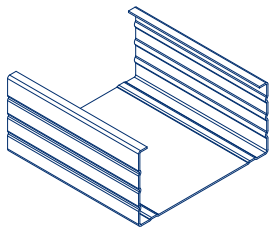


front view scale 1:2

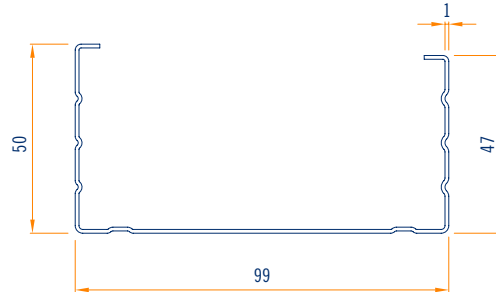
206 FLASHLINE HARD

Item	Description	Dimension and thickness	Weight per pallet	MI per pkg.	Application	Sales unit
	C-stud C/50/99/47	b 99 h 50 s 1			double wall dividing wall	120 total pieces 15 package with 8 pieces each
PC100503000.1	C/50/99/47/3000/1	l 3000	619.74	360.00		
PC100504000.1	C/50/99/47/4000/1	l 4000	825.81	480.00		

other lengths upon request



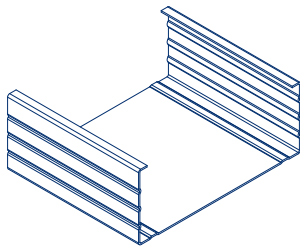
axonometric view scale 1:5



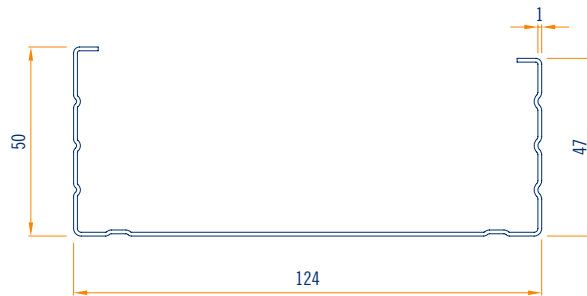
front view scale 1:2

Item	Description	Dimension and thickness	Weight per pallet	MI per pkg.	Application	Sales unit
	C-stud C/50/124/47	b 124 h 50 s 1			double wall dividing wall	80 total pieces 20 package with 4 pieces each
PC125503000.1	C/50/124/47/3000/1	l 3000	463.97	240.00		
PC125504000.1	C/50/124/47/4000/1	l 4000	618.28	320.00		

other lengths upon request



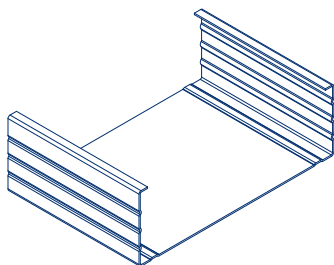
axonometric view scale 1:5



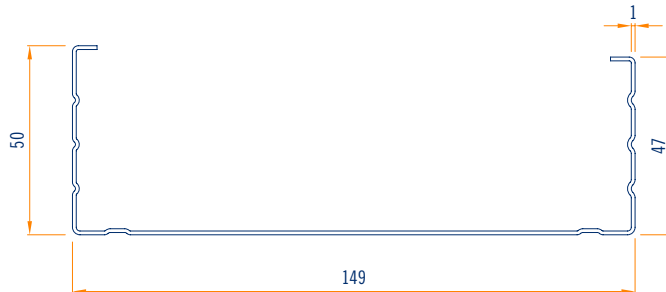
front view scale 1:2

Item	Description	Dimension and thickness	Weight per pallet	MI per pkg.	Application	Sales unit
	C-stud C/50/149/47	b 149 h 50 s 1			double wall dividing wall	80 total pieces 20 package with 4 pieces each
PC150503000.1	C/50/149/47/3000/1	l 3000	514.77	240.00		
PC150504000.1	C/50/149/47/4000/1	l 4000	686.36	320.00		

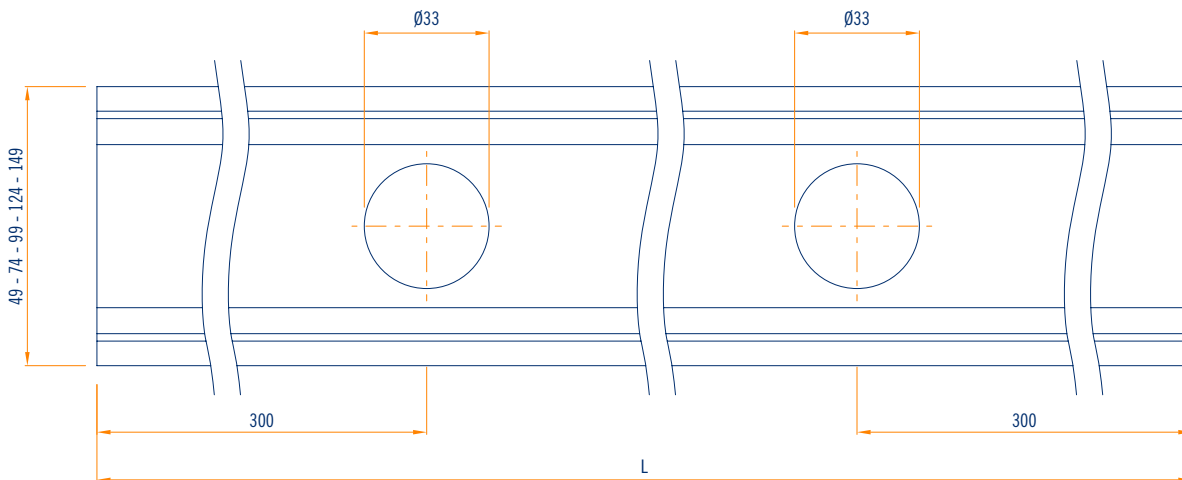
other lengths upon request



axonometric view scale 1:5



front view scale 1:2



profile drilling plan view scale 1:2

IMPORTANT RECOMMENDATIONS FOR USING AND STORING PRODUCTS

CE Marking

Please note that each product is part of a hanging/connection kit for connecting to the upper anchoring system and to the supporting element in dry construction systems **for use inside buildings**. The various components are identified in the catalogue and price list with the CE logo.

Each CE product has a Declaration of Performance (DOP).

Durability: class B (Components of a building exposed to variable relative humidity up to 90% and to variable temperatures up to 30°C but with no exposure to corrosive pollution agents).

Recommendations for storing metal framing elements

We recommend to store packages in a covered area with a relatively dry atmosphere and as constant a temperature as possible, to avoid condensation that could consume the passivation coat protecting the galvanised surface.

If stored outdoors (**not recommended**), please cover so as to ensure the material is fully protected against adverse weather conditions (rain, fog, snow), making sure the packages are stored in a slightly inclined position. The cover must nevertheless ensure sufficient airflow (the two surfaces must not be in direct contact) so that moisture does not settle and create condensation.



Metalstampi s.r.l.
Vicolo Biban, 7
31030 Biban di Carbonera (TV) Italy
Tel. +39 0422 398250
export@metalstampi.com
www.metalstampi.com