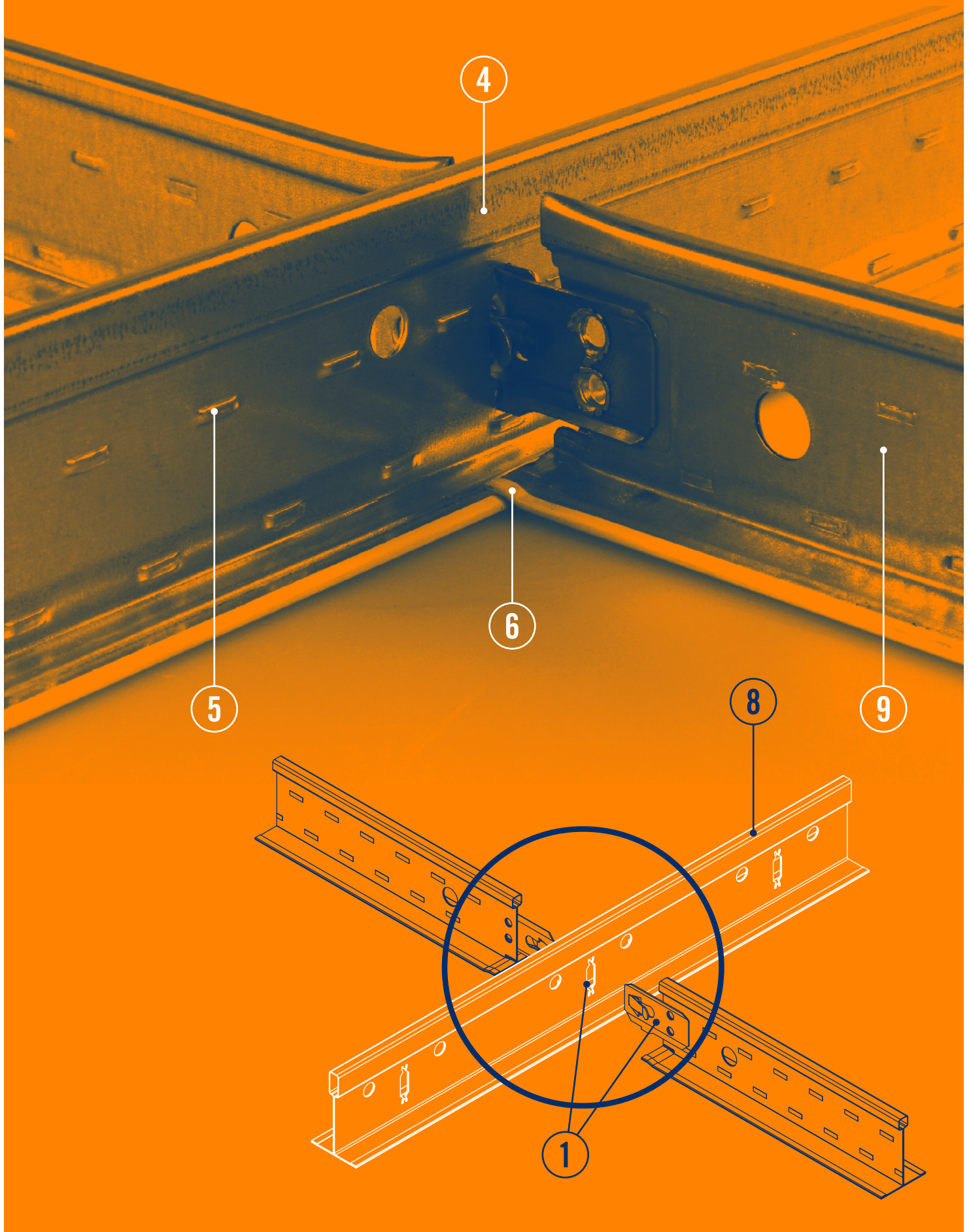

STEEL FLASHLINE PROFILES

FLASHLINE EAGLE



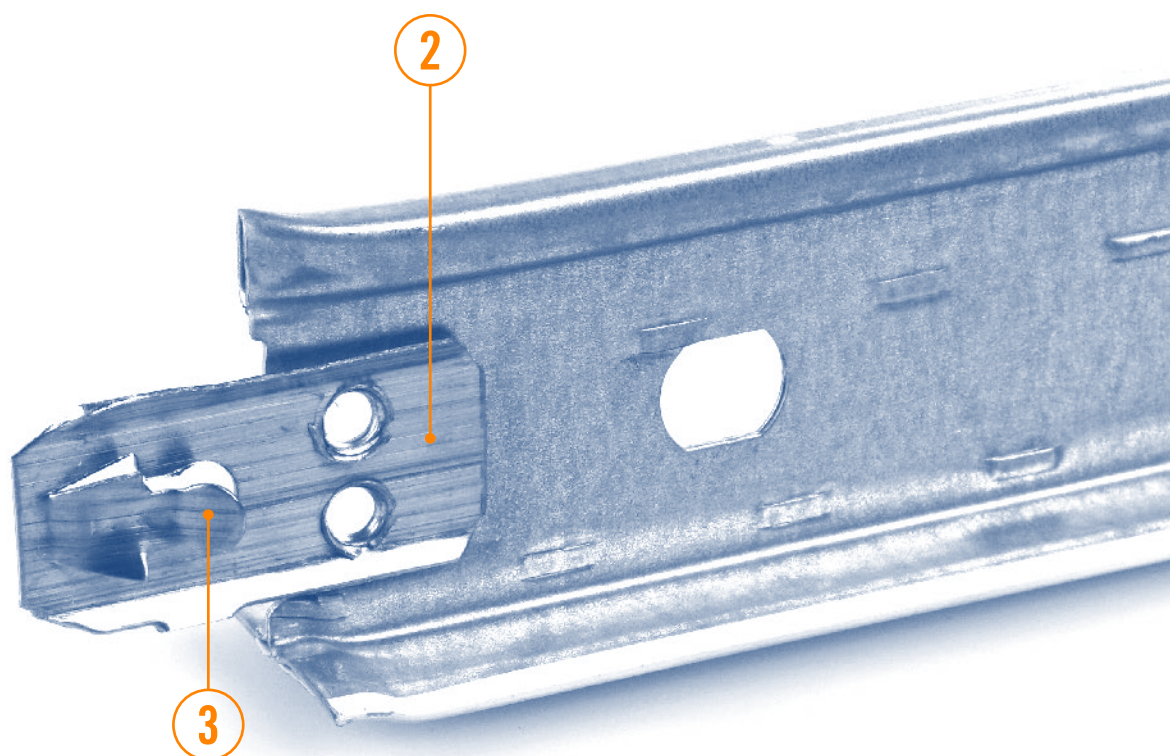
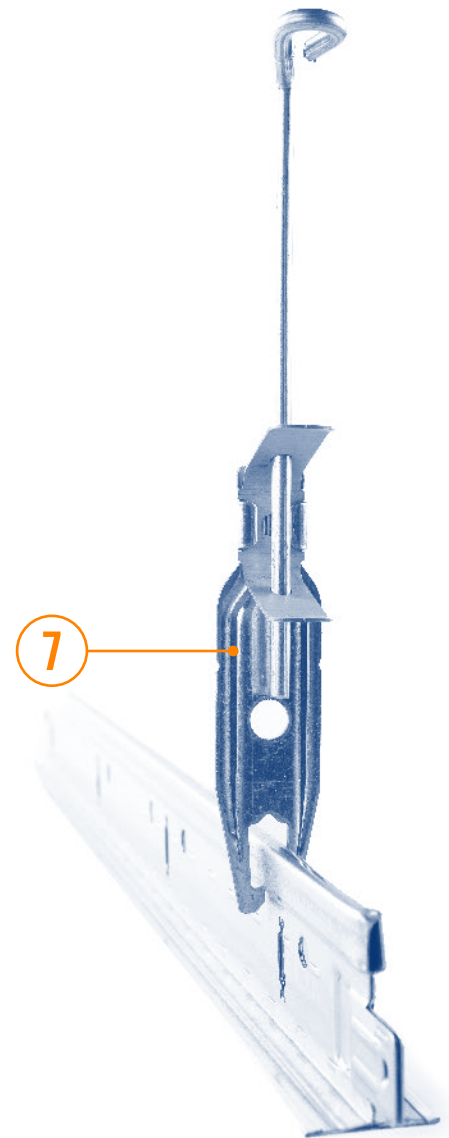
METALSTAMPI

STEEL PROFILES FLASHLINE EAGLE

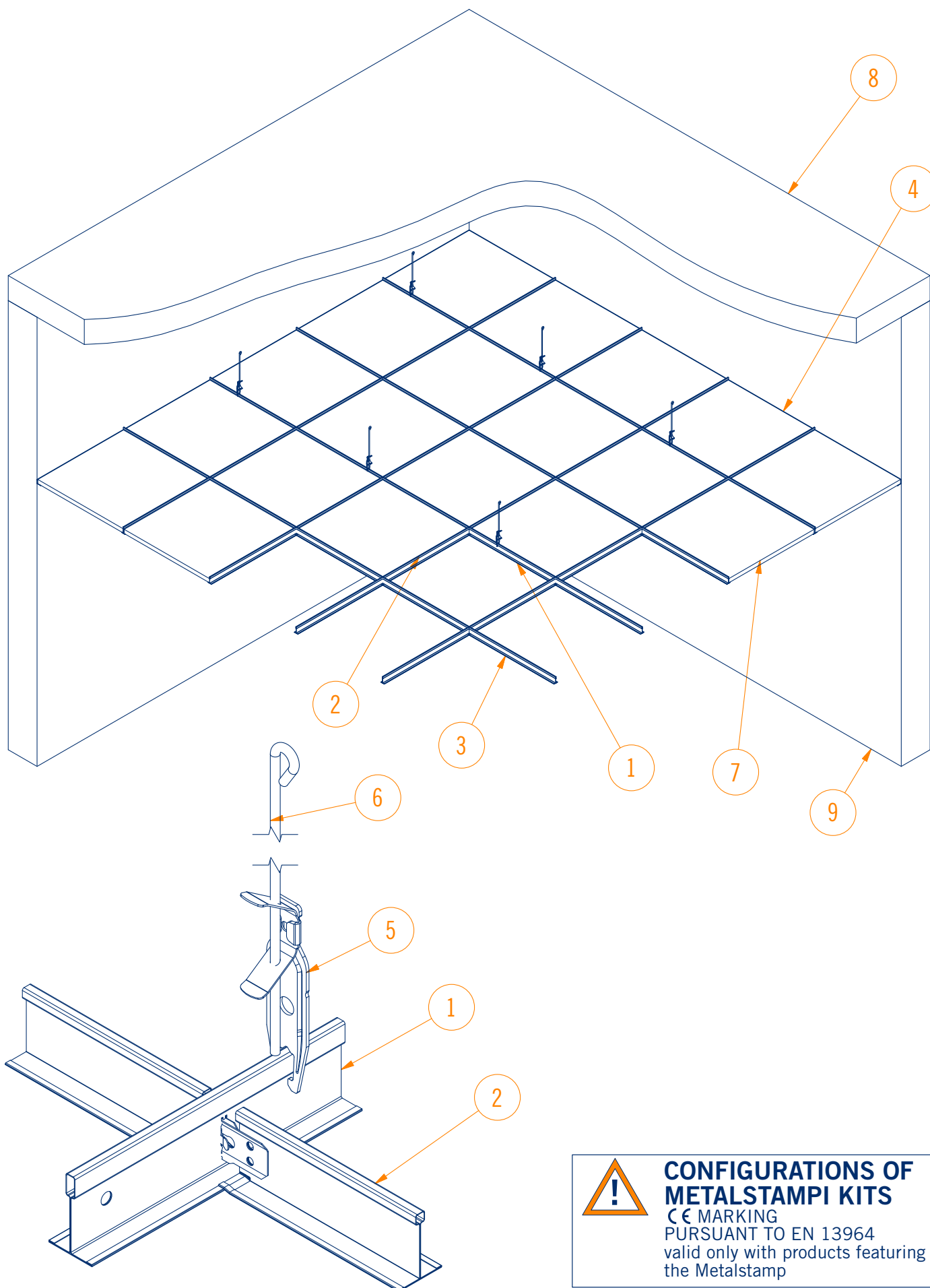


STRENGTHS

- 1— Quick assembly with a simple click.
- 2— Elastic hanger in stainless steel for calibrated insertion in the main structures.
- 3— Possibility to disassemble the structures by simply applying thumb pressure.
- 4— Lab-tested connection between the intermediate profiles and main profile.
- 5— Anti-twist stiffening side seams.
- 6— Shaping calibrated on the heads of the intermediate profiles, ensuring optimal aesthetic results.
- 7— CE marking on the suspension kit, indicating the allowable load in compliance with EN 13964.
- 8— CE marking for mechanical resistance to bending, pursuant to EN 13964 for T-shaped profiles.
- 9— CE marking on yield strength, pursuant to EN 14195 for steel used in the manufacturing of T-shaped profiles.

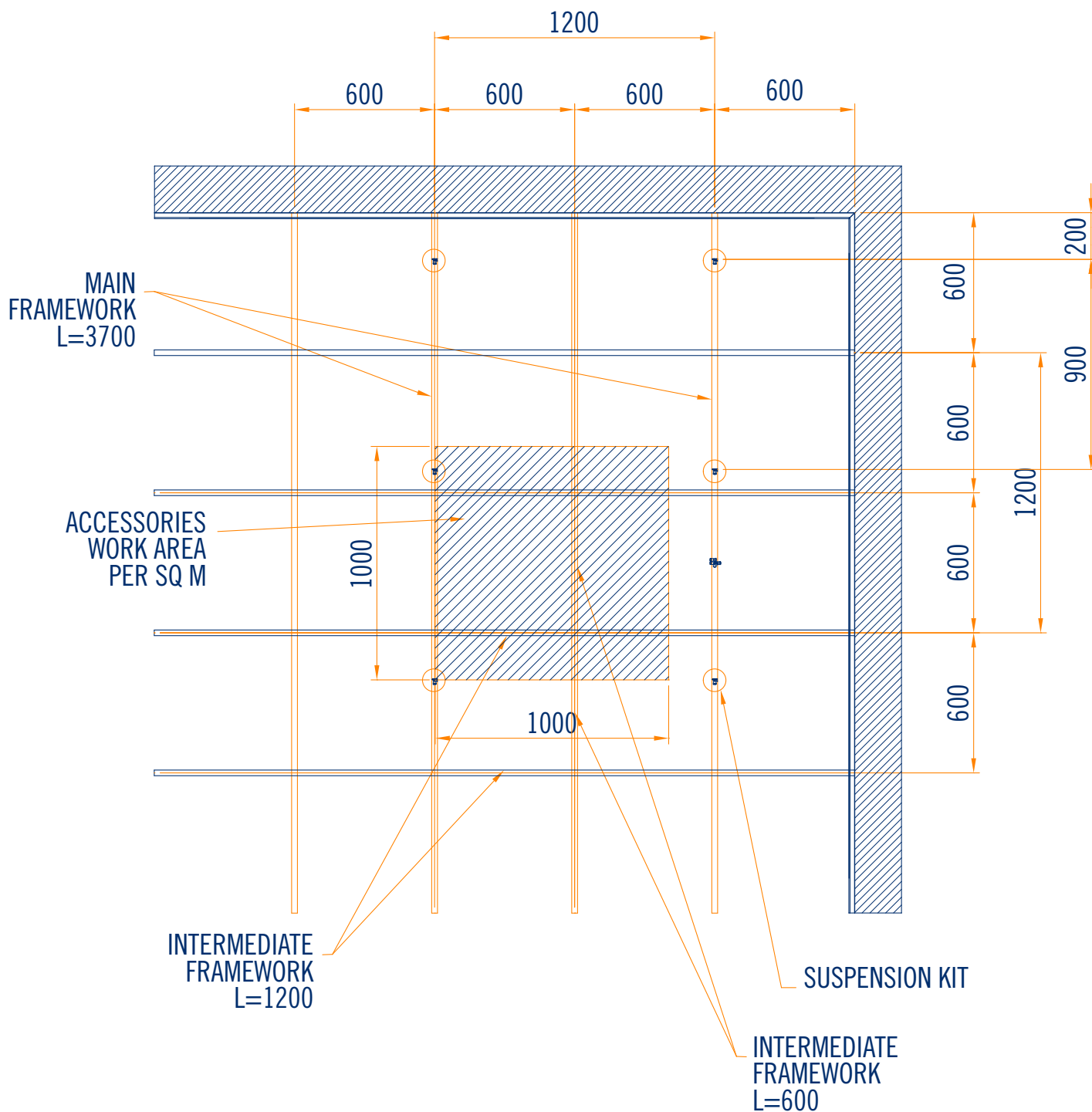


AXONOMETRIC VIEW APPLICATION METALSTAMPI PRODUCTS STEEL PROFILES FOR WALLS AND SUSPENDED CEILINGS



 **CONFIGURATIONS OF METALSTAMPI KITS**
CE MARKING
PURSUANT TO EN 13964
valid only with products featuring the Metalstamp

ASSEMBLY DIAGRAM



Pos.	Description	Code
1	T STRUCTURE T/38/24 - MAIN FRAMEWORK L=3700	PT38243700
2	T STRUCTURE T/38/24 - SECONDARY FRAMEWORK L=1200	PT32241200
3	T STRUCTURE T/38/24 - SECONDARY FRAMEWORK L=600	PT3224600
4	PERIMETER L PROFILE L/24/24/3000	L/24/24/3000
5	SLIDING SPRING CONNECTOR EVOLUTION T/38/24	605/P100
6	FLAT EYELET HANGER Ø3.9 L=250 MM	017/P100
7	MODULAR PANNEL	
8	SLAB	
9	WALLS	

STRUCTURAL AND INTERMEDIATE PROFILES

T/38/24/3700 - T/32/24/1200 - T/32/24/600
 T/38/15/3700 - T/38/15/1200 - T/38/15/600



Item	Description	Dimension and thickness	Peso kg per bancale	MI per bancale	Application	Contenuto bancale
PT38243700	Structural profile T/38/24/3700	b 24 h 38 s 0.3-0.35	780.00	2.220.00	suspended ceiling	600 pcs total 24 package with 25 pieces / 92.5 ml each
	T/38/24/3700	L 3700				

axonometric view scale 1:2

side view scale 1:1

front view scale 1:20

detail A scale 5:1

detail B scale 1:2

Item	Description	Dimension and thickness	Peso kg per bancale	MI per bancale	Application	Contenuto bancale
PT32241200	Intermediate profile T/32/24/1200	b 24 h 32 s 0.3	540.00	1.800.00	suspended ceiling	1500 pcs total 20 package with 75 pieces / 90 ml each
	T/32/24/1200	L 1200				

axonometric view scale 1:2

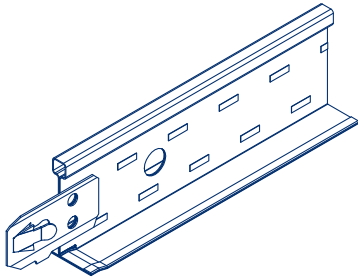
side view scale 1:1

front view scale 1:20

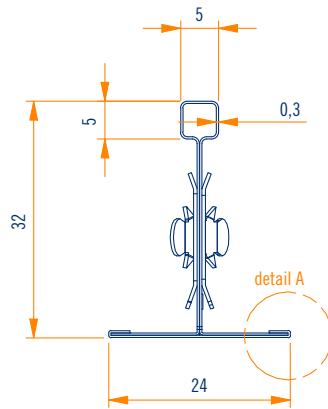
detail A scale 5:1

detail B scale 1:2

Item	Description	Dimension and thickness	Peso kg per bancale	MI per bancale	Application	Contenuto bancale
PT3224600	Intermediate profile T/32/24/600	b 24 h 32 s 0.3	560.00	1.800.00	suspended ceiling	3000 pcs total 40 package with 75 pieces / 45 ml each
	T/32/24/600	L 600				



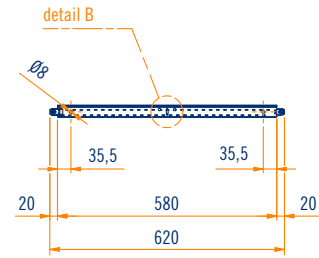
axonometric view scale 1:2



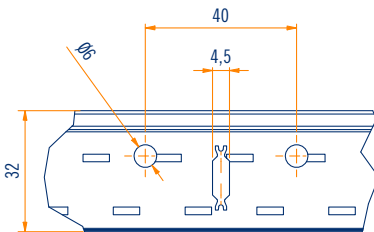
side view scale 1:1



detail A
scale 5:1

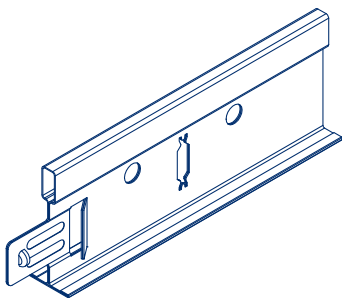


front view scale 1:20

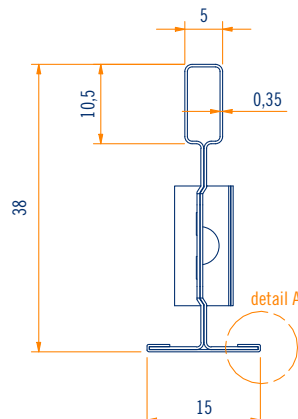


detail B
scale 1:2

Item	Description	Dimension and thickness	Peso kg per bancale	MI per bancale	Application	Contenuto bancale
PT38153700	Structural profile T/38/15/3700	b 15 h 38 s 0.3-0.35	600.00	1.776.00	suspended ceiling	480 pcs total 24 package with 20 pieces / 74 ml each
	T/38/15/3700	L 3700				



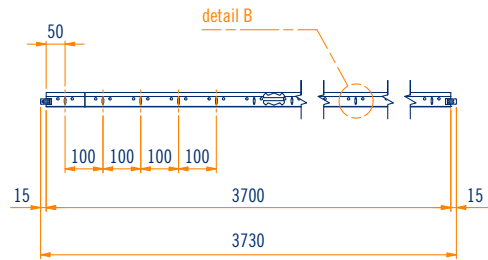
axonometric view scale 1:2



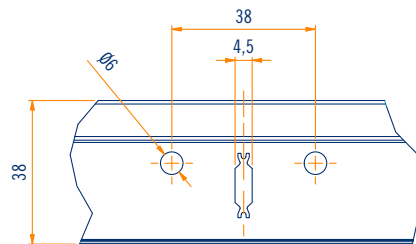
side view scale 1:1



detail A
scale 5:1



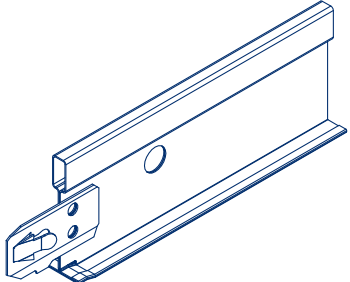
front view scale 1:20



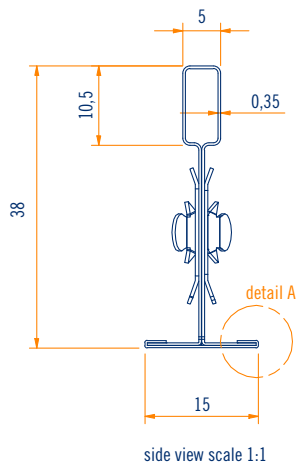
detail B
scale 1:2

232 FLASHLINE EAGLE

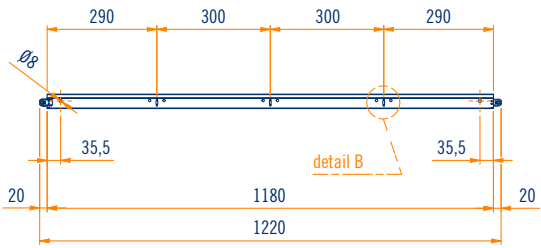
Item	Description	Dimension and thickness	Peso kg per bancale	MI per bancale	Application	Contenuto bancale
	Intermediate profile T/38/15/1200	b 15 h 38 s 0.3-0.35			suspended ceiling	2560 pcs total 40 package with 64 pieces / 76.8 ml each
PT38151200	T/38/15/1200	L 1200	1.020.00	3.072.00		



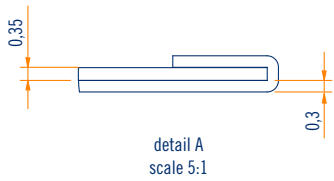
axonometric view scale 1:2



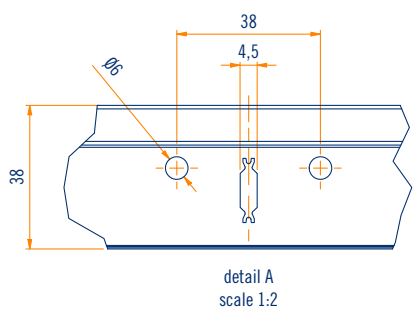
side view scale 1:1



front view scale 1:20

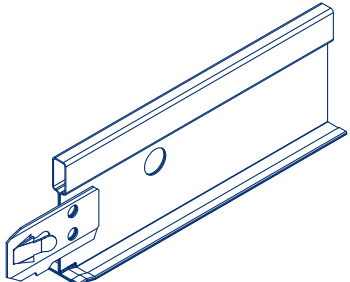


detail A
scale 5:1

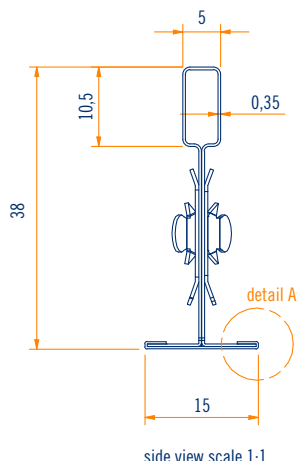


detail A
scale 1:2

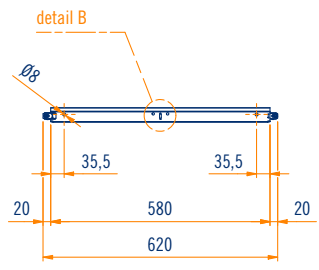
Item	Description	Dimension and thickness	Peso kg per bancale	MI per bancale	Application	Contenuto bancale
	Intermediate profile T/38/15/600	b 15 h 38 s 0.3-0.35			suspended ceiling	5120 pcs total 80 package with 64 pieces / 38.4 ml each
PT3815600	T/38/15/600	L 600	1.040.00	3.072.00		



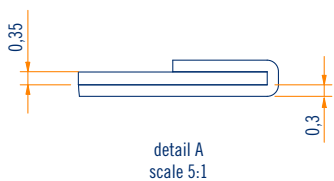
axonometric view scale 1:2



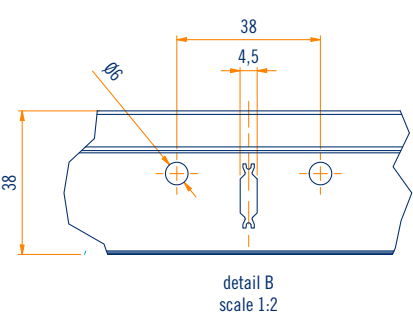
side view scale 1:1



front view scale 1:20



detail A
scale 5:1



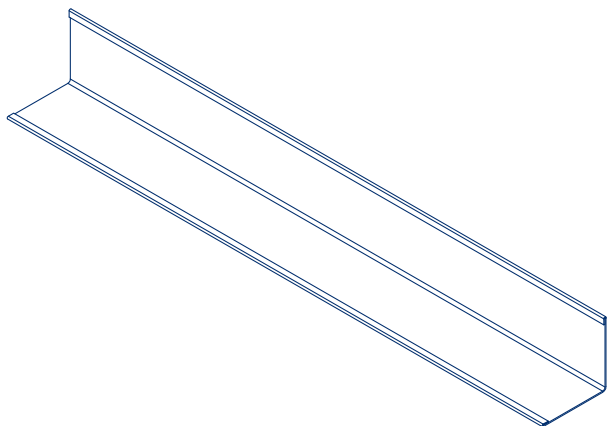
detail B
scale 1:2



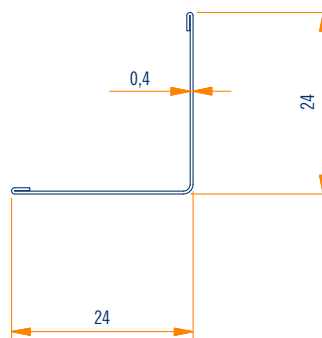
PERIMETER PROFILES

L/24/24/3000 SINGULAR
LL/19/12/12/19/3000 DOUBLE
F/13/30/3000 - F/16/30/3000

Item	Description	Dimension and thickness	Weight per pallet	MI per pkg.	Application	Contenuto pallet
PL24243000	Perimeter profile L/24/24/3000	b 24 h 24 s 0.4	30.50	150.00	suspended ceiling	50 pcs total
	L/24/24/3000	L 3000				

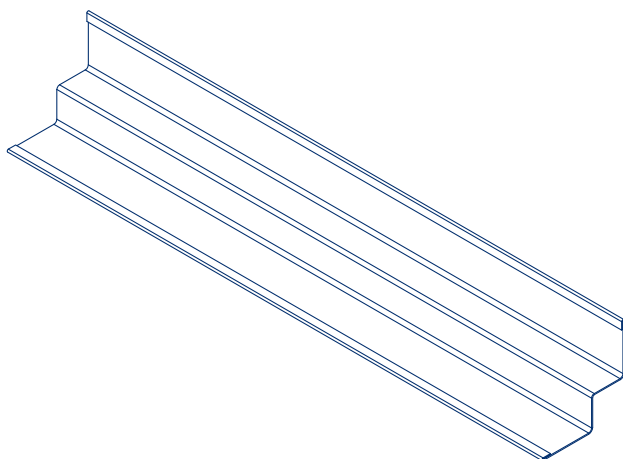


axonometric view scale 1:2

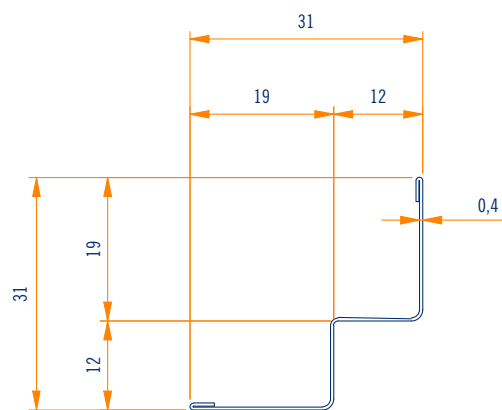


side view scale 1:1

Item	Description	Dimension and thickness	Weight per pallet	MI per pkg.	Application	Contenuto pallet
PLL19123000	Double perimeter profile LL/19/12/12/19/3000	b 31 h 31 s 0.4	23.50	90.00	suspended ceiling	30 pcs total
	LL/19/12/12/19/3000	L 3000				



axonometric view scale 1:2



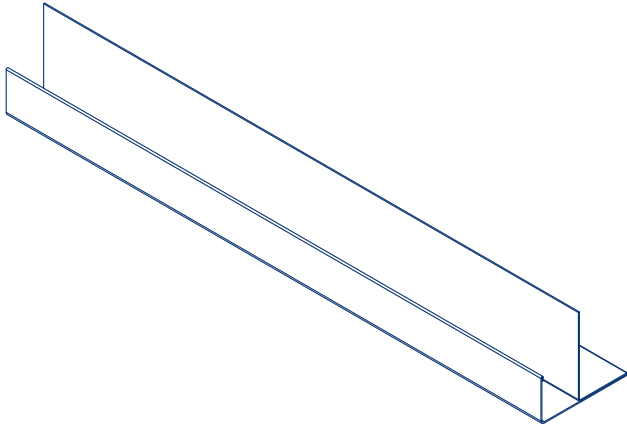
side view scale 1:1

Top cover in white typology "DONN WHITE".

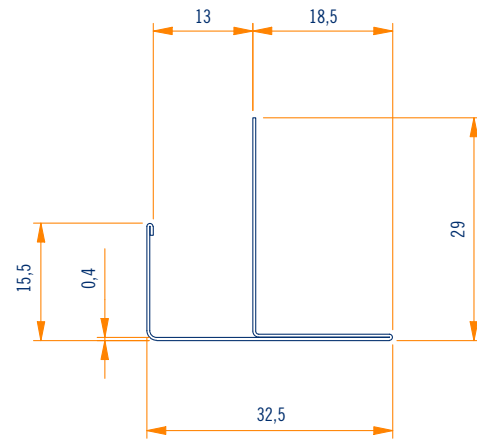
Available upon request top cover in matte black RAL 900 or metalized grey RAL 9006. – delivery in 10 working days from order date.

234 FLASHLINE EAGLE

Item	Description	Dimension and thickness	Weight per pallet	MI per pkg.	Application	Contenuto pallet
PF13303000	Perimeter profile F/13/30/3000	b 32.5 h 29 s 0.4	12.50	30.00	suspended ceiling	10 pcs total
	F/13/30/3000	L 3000				

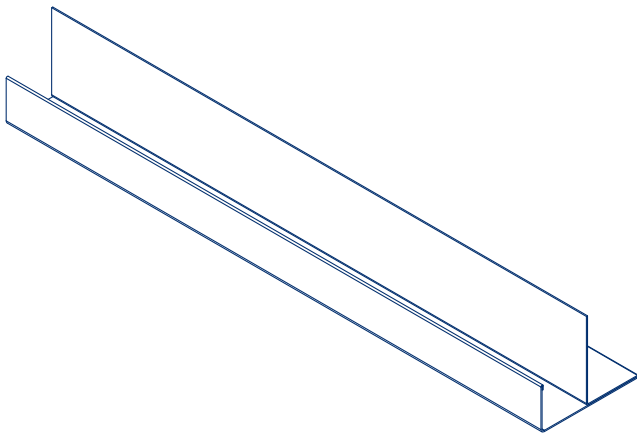


axonometric view scale 1:2

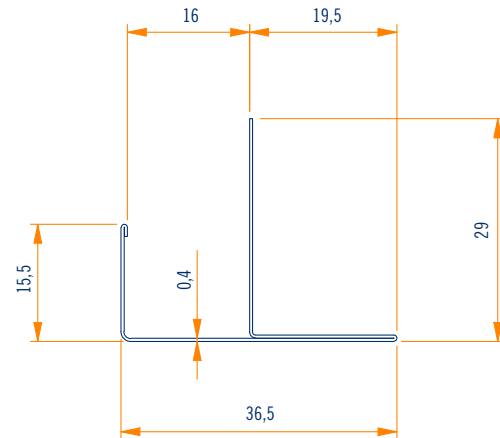


side view scale 1:1

Item	Description	Dimension and thickness	Weight per pallet	MI per pkg.	Application	Contenuto pallet
PF16303000	Perimeter profile F/16/30/3000	b 36.5 h 29 s 0.4	12.50	30.00	suspended ceiling	10 pcs total
	F/16/30/3000	L 3000				



axonometric view scale 1:2



side view scale 1:1

IMPORTANT RECOMMENDATIONS FOR USING AND STORING PRODUCTS

CE Marking

Please note that each product is part of a hanging/connection kit for connecting to the upper anchoring system and to the supporting element in dry construction systems **for use inside buildings**. The various components are identified in the catalogue and price list with the CE logo.

Each CE product has a Declaration of Performance (DOP).

Durability: class B (Components of a building exposed to variable relative humidity up to 90% and to variable temperatures up to 30°C but with no exposure to corrosive pollution agents).

Recommendations for storing metal framing elements

We recommend to store packages in a covered area with a relatively dry atmosphere and as constant a temperature as possible, to avoid condensation that could consume the passivation coat protecting the galvanised surface.

If stored outdoors (**not recommended**), please cover so as to ensure the material is fully protected against adverse weather conditions (rain, fog, snow), making sure the packages are stored in a slightly inclined position. The cover must nevertheless ensure sufficient airflow (the two surfaces must not be in direct contact) so that moisture does not settle and create condensation.



Metalstampi s.r.l.
Vicolo Biban, 7
31030 Biban di Carbonera (TV) Italy
Tel. +39 0422 398250
export@metalstampi.com
www.metalstampi.com