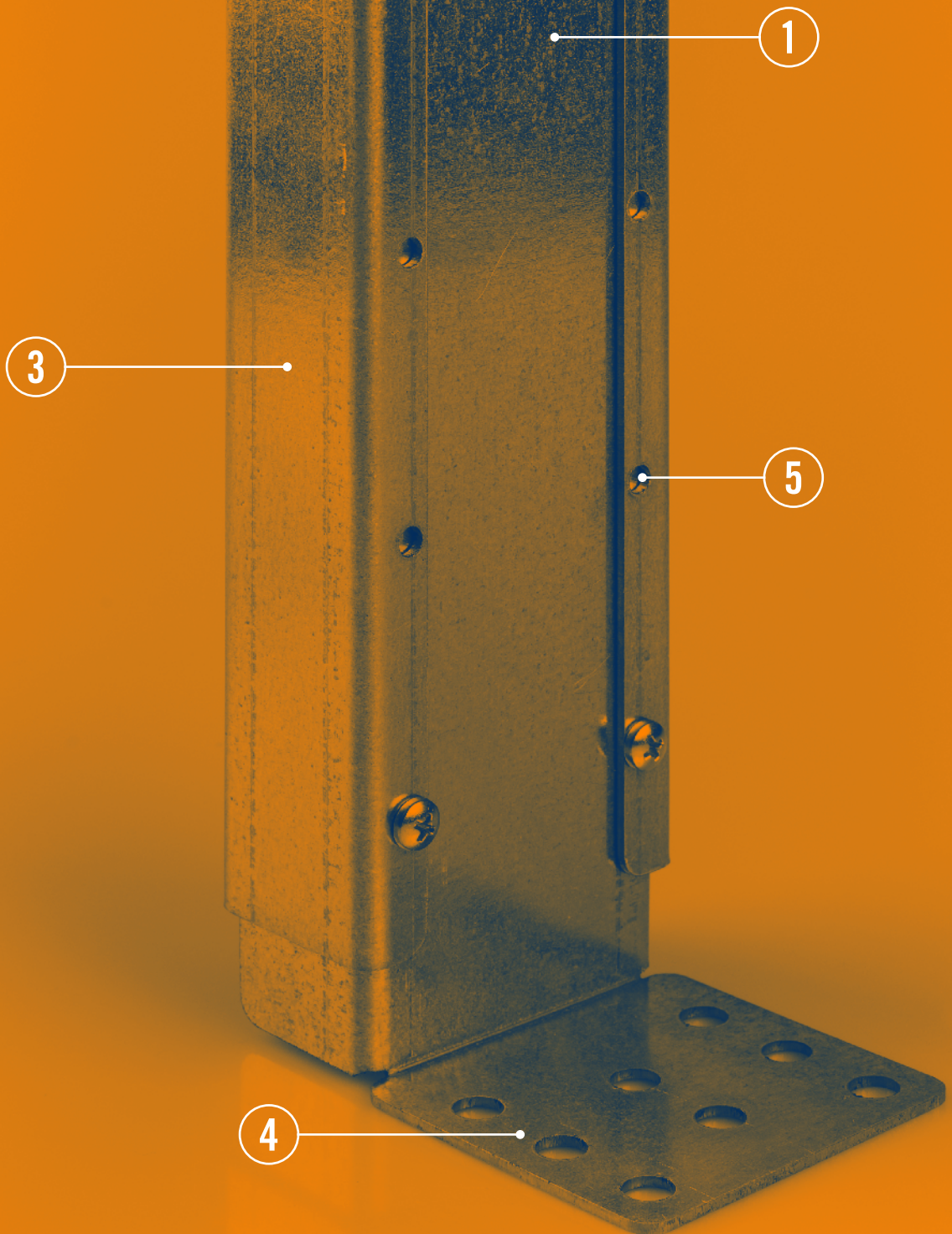

**STEEL FLASHLINE PROFILES
FLASHLINE ACCESSORIES
TELESCOPIC DOOR FRAMES**



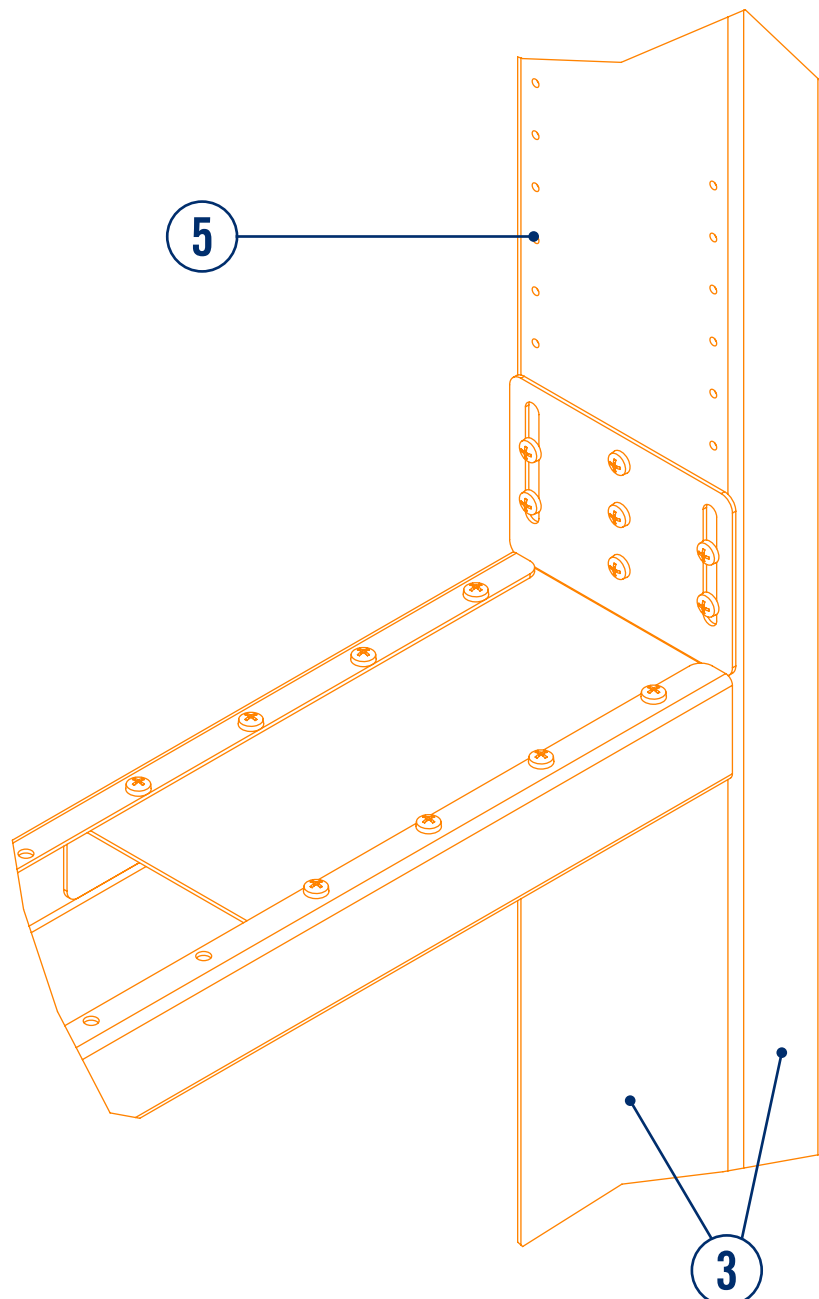
METALSTAMPI

TELESCOPIC DOOR FRAMES FLASHLINE ACCESSORIES

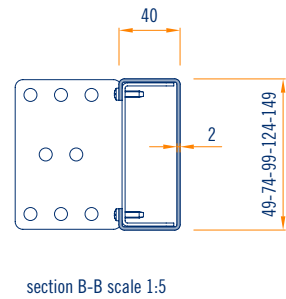
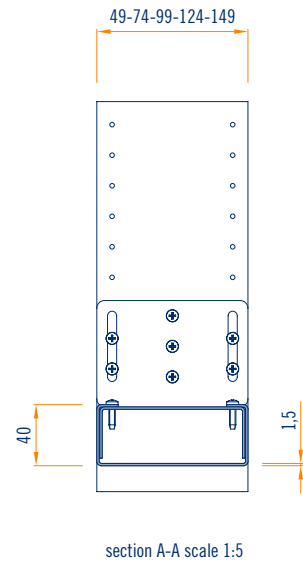
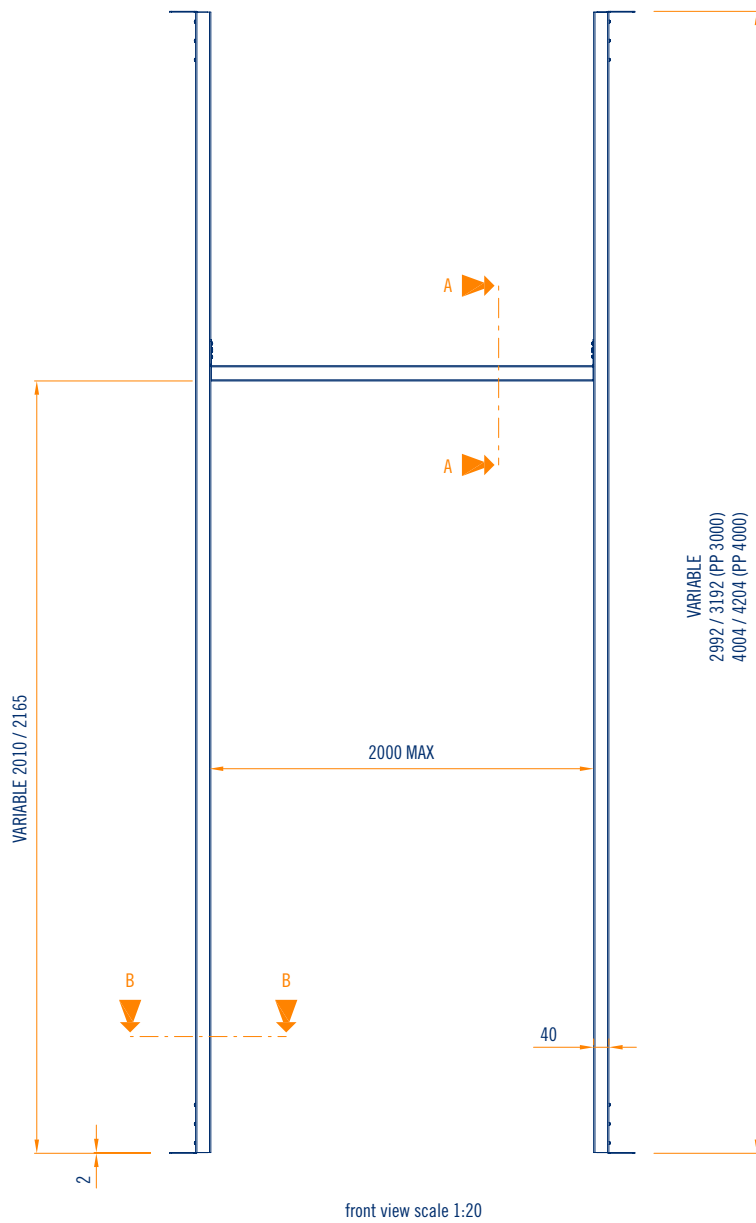


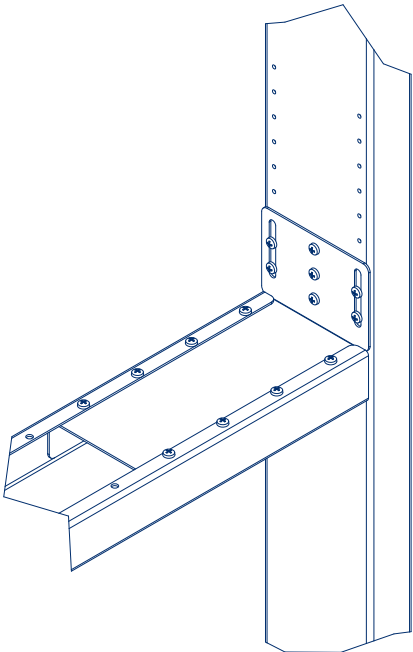
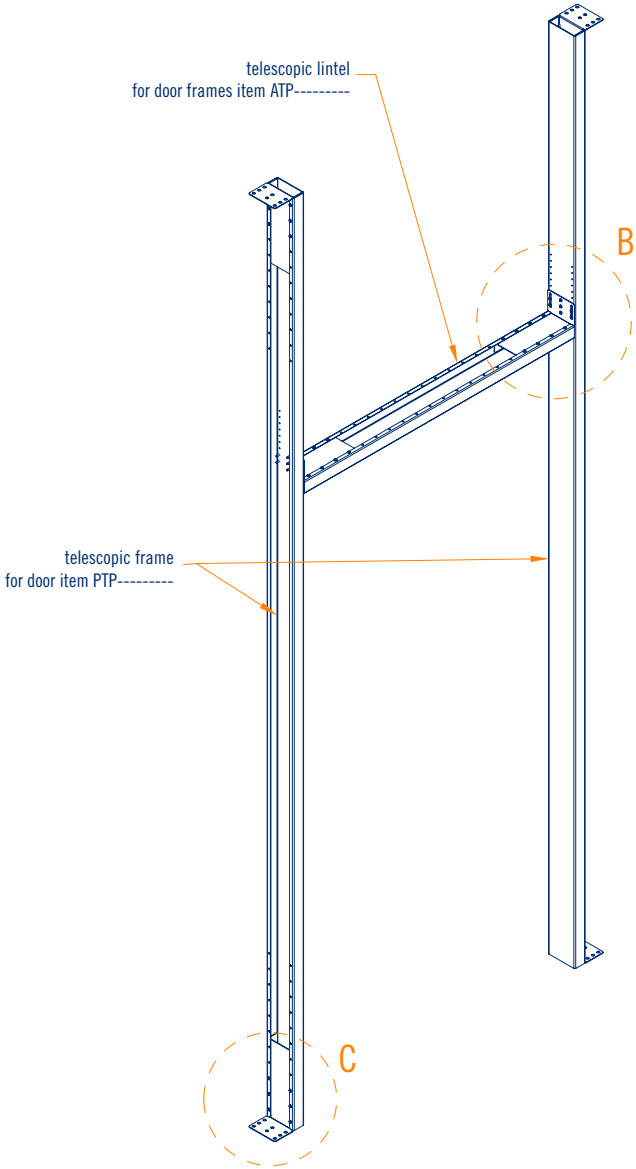
STRENGTHS

- 1— Conformity of the product with the CE marking, according to European directive EN 14195 (determination of the yield strength according to EN directive 10002-1).
- 2— Assembly kit ready to use.
- 3— Seamless surfaces on three sides to allow secure attachment of the opening and closing elements.
- 4— Telescopic feet with perforations to allow rapid installation of the system onto the building envelope.
- 5— Vertical perforations on vertical uprights for attaching telescopic feet and lintel.

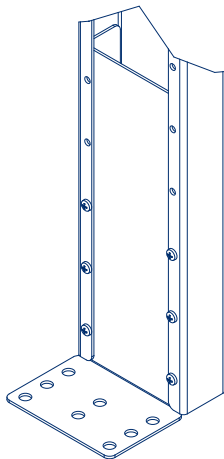


ASSEMBLY DIAGRAM TELESCOPIC DOOR FRAME





DETAIL B
(1:5)

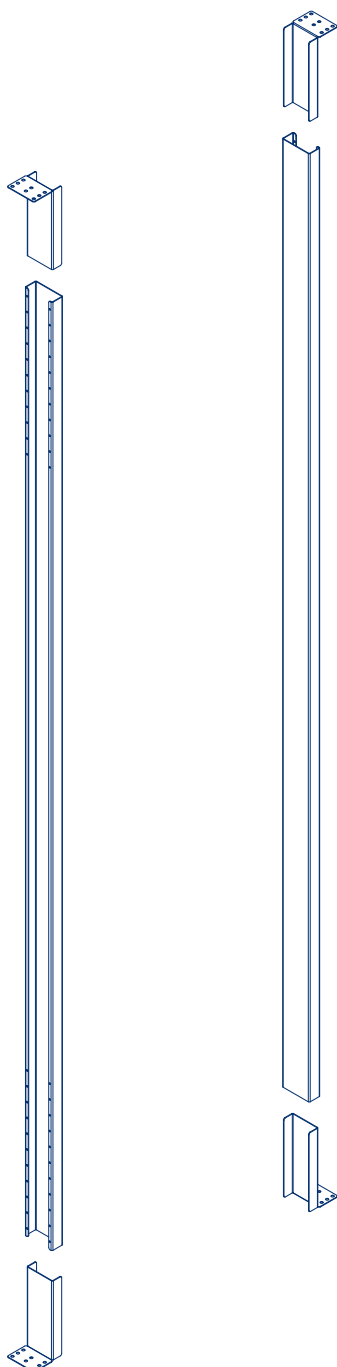


DETAIL C
(1:5)

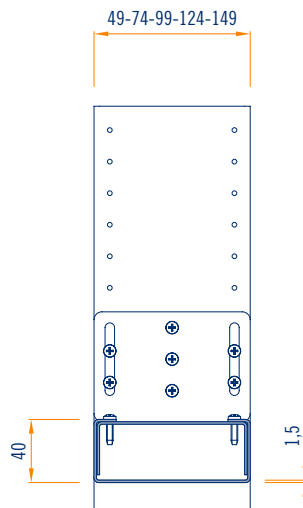
TELESCOPIC DOOR FRAME



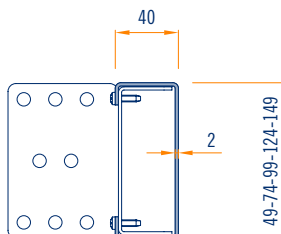
Item	Description	Dimension and thickness	Weight per package	Application	Sales unit
	telescopic door frame	h 3000-4000 s 2		wall	complete kit
PTP000493000	LxH =49x3000		15.12		
PTP000494000	LxH =49x4000		19.52		
PTP000743000	LxH =74x3000		18.04		
PTP000744000	LxH =74x4000		23.18		
PTP000993000	LxH =99x3000		20.72		
PTP000994000	LxH =99x4000		26.80		
PTP0001243000	LxH =124x3000		23.76		
PTP0001244000	LxH =124x4000		30.46		
PTP0001493000	LxH =149x3000		26.58		
PTP0001494000	LxH =149x4000		34.08		



front view scale 1:25



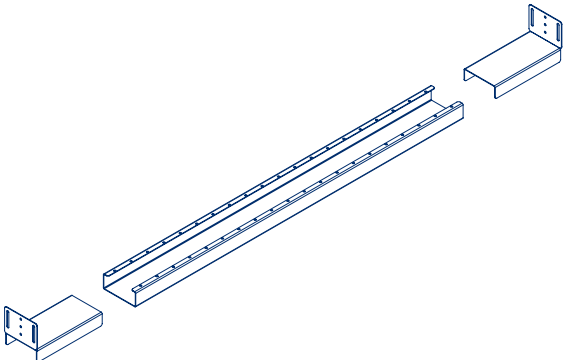
section A-A scale 1:5



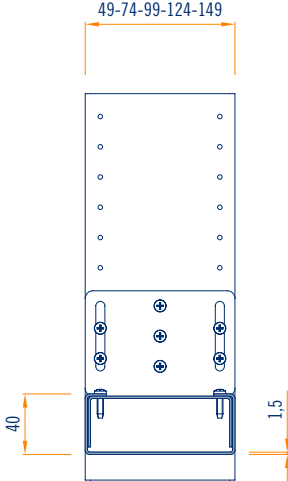
section B-B scale 1:5

TELESCOPIC LINTEL FOR DOOR FRAMES

Item	Description	Dimension and thickness	Weight per package	Application	Sales unit
	telescopic lintel for door frames	l 500-2000 s 1.5		wall	complete kit
ATP000492000	LxH =49x2000		4.15		
ATP000742000	LxH =74x2000		4.90		
ATP000992000	LxH =99x2000		5.65		
ATP0001242000	LxH =124x2000		6.38		
ATP0001492000	LxH =149x2000		7.13		



front view scale 1:20



section A-A scale 1:5

IMPORTANT RECOMMENDATIONS FOR USING AND STORING PRODUCTS

CE Marking

Please note that each product is part of a hanging/connection kit for connecting to the upper anchoring system and to the supporting element in dry construction systems **for use inside buildings**. The various components are identified in the catalogue and price list with the CE logo.

Each CE product has a Declaration of Performance (DOP).

Durability: class B (Components of a building exposed to variable relative humidity up to 90% and to variable temperatures up to 30°C but with no exposure to corrosive pollution agents).

Recommendations for storing metal framing elements

We recommend to store packages in a covered area with a relatively dry atmosphere and as constant a temperature as possible, to avoid condensation that could consume the passivation coat protecting the galvanised surface.

If stored outdoors (**not recommended**), please cover so as to ensure the material is fully protected against adverse weather conditions (rain, fog, snow), making sure the packages are stored in a slightly inclined position. The cover must nevertheless ensure sufficient airflow (the two surfaces must not be in direct contact) so that moisture does not settle and create condensation.



Metalstampi s.r.l.
Vicolo Biban, 7
31030 Biban di Carbonera (TV) Italy
Tel. +39 0422 398250
export@metalstampi.com
www.metalstampi.com