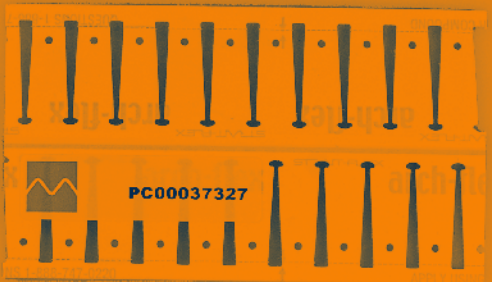
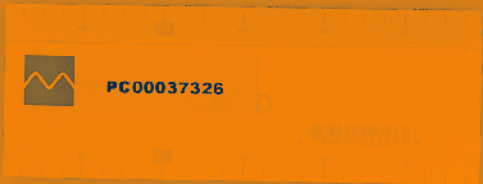

DECORATIVE PROFILES FAST FINISH



METALSTAMPI

DECORATIVE PROFILES FAST FINISH

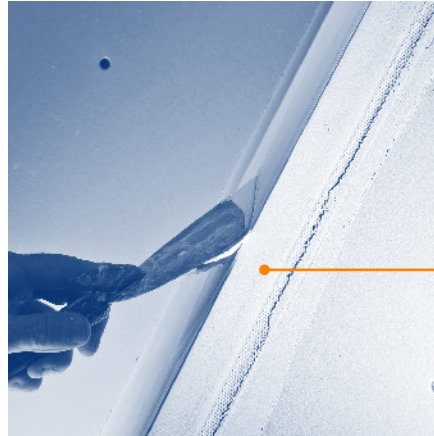


STRENGTHS

- 1 — Product with embossed paper finish with PVC core.
- 2 — Installation on site with activation of the adhesive on the attachment surface by water vaporisation for PC00037320-PC00037321 products; for the other types, of attachment with sealant.
- 3 — Reduced thickness of the sealant.
- 4 — Quick installation.

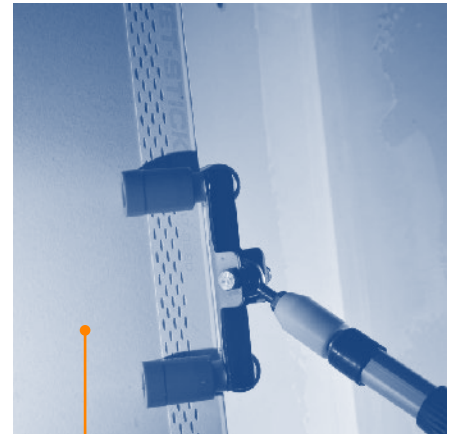


4



3

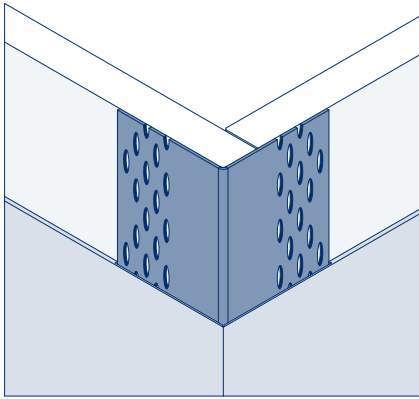
2



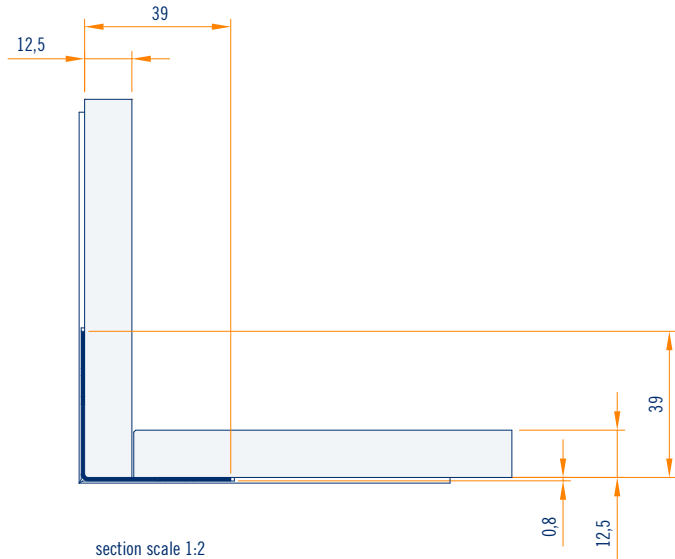
4

CORNER BEAD WITH VARIABLE ANGLE

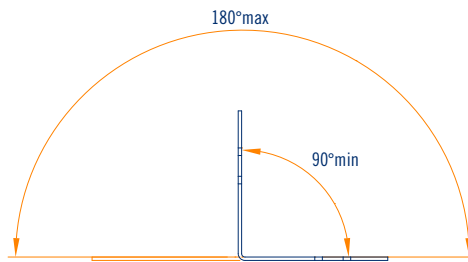
Item	Description	Dimension and thickness	Weight per package	Application	Sales unit
PC00037320	corner bead with variable angle Fast Finish	l 30500 s 0.8	2.26	suspended ceiling double wall wall	1 roll 1x30.5 ml



axonometric view scale 1:2



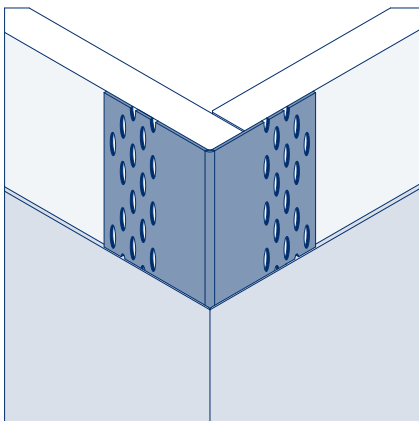
section scale 1:2



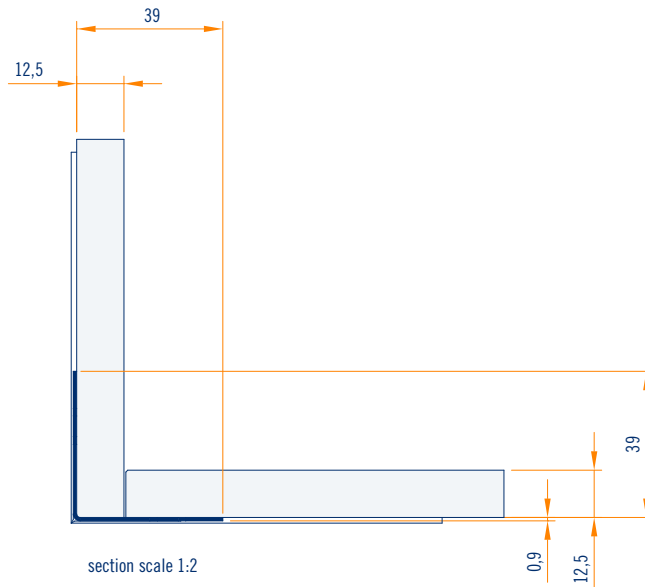
section scale 1:2

OUTSIDE CORNER BEAD 90°

Item	Description	Dimension and thickness	Weight per package	Application	Sales unit
PC00037321	outside corner bead 90° Fast Finish	l 2740 s 0.9	12.74	suspended ceiling double wall wall	50 pcs 137 ml



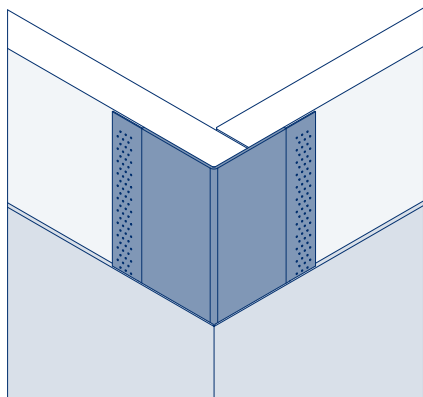
axonometric view scale 1:2



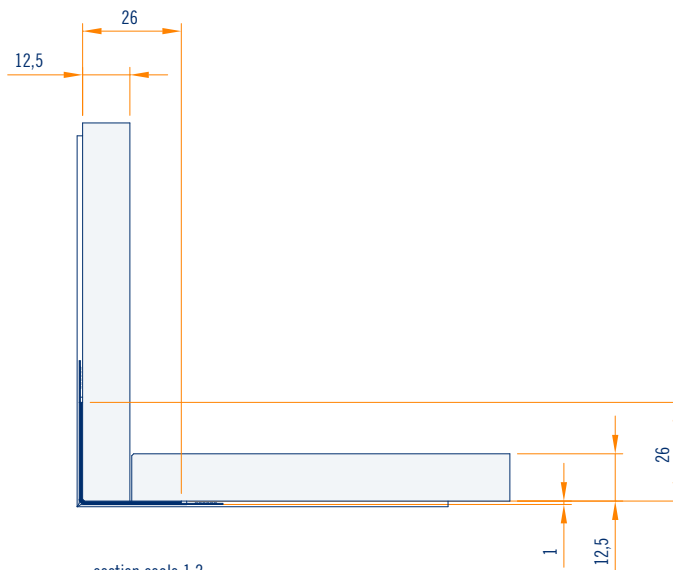
section scale 1:2

CORNER BEAD WITH VARIABLE ANGLE WITH EMBOSSED PAPER EDGE

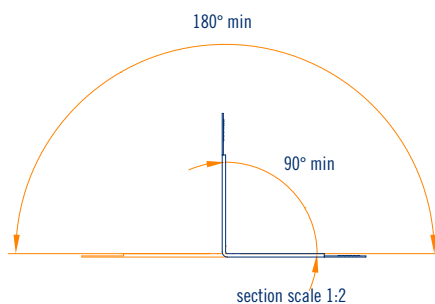
Item	Description	Dimension and thickness	Weight per package	Application	Sales unit
PC00037322	corner bead with variable angle with embossed paper edge Fast Finish	l 30500 s 1	1.92	suspended ceiling double wall wall	1 roll 1x30.5 ml



axonometric view scale 1:2



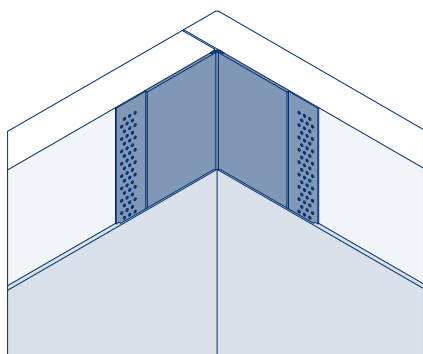
section scale 1:2



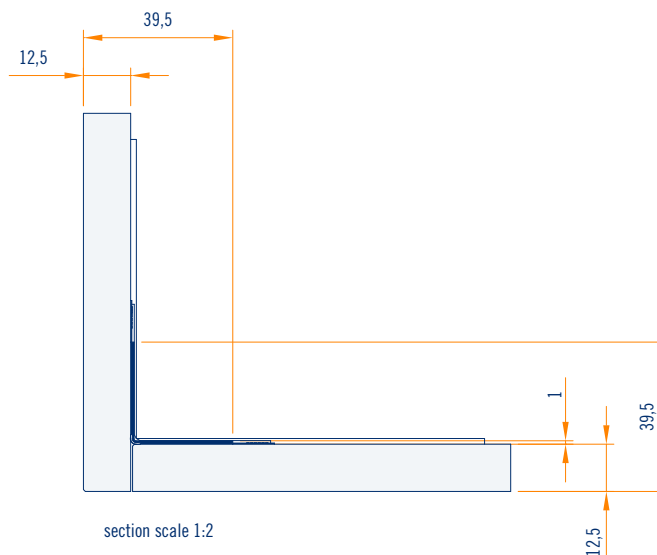
section scale 1:2

INSIDE CORNER BEAD 90° WITH EMBOSSED PAPER EDGE

Item	Description	Dimension and thickness	Weight per package	Application	Sales unit
PC00037323	inside corner bead 90° with embossed paper edge Fast Finish	l 2740 s 1	9.31	suspended ceiling double wall wall	50 pcs 137 ml



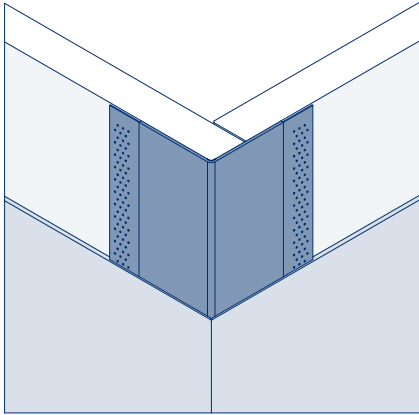
axonometric view scale 1:2



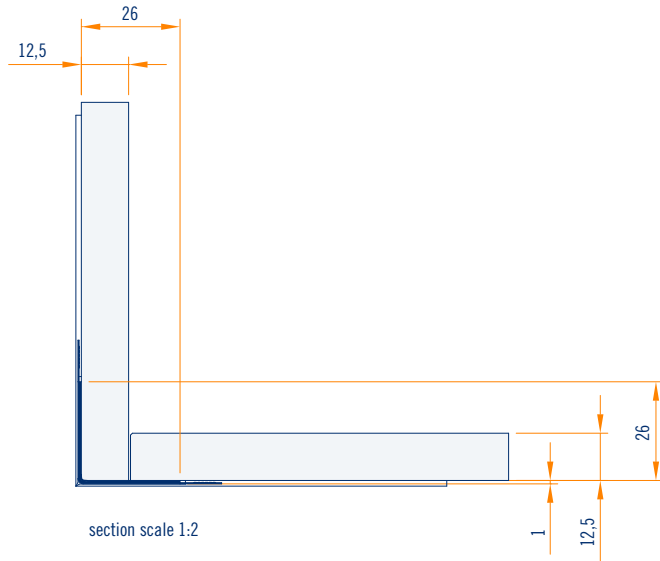
section scale 1:2

OUTSIDE CORNER BEAD 90° WITH EMBOSSED PAPER EDGE

Item	Description	Dimension and thickness	Weight per package	Application	Sales unit
PC00037324	outside corner bead 90° with embossed paper edge Fast Finish	l 2740 s 1	9.31	suspended ceiling double wall wall	50 pcs 137 ml



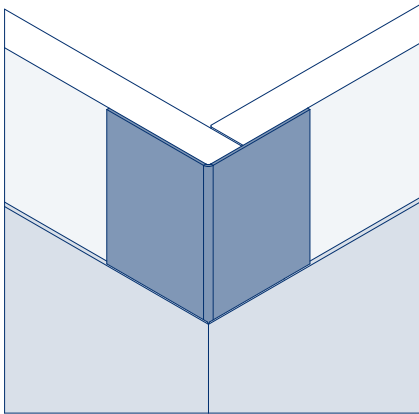
axonometric view scale 1:2



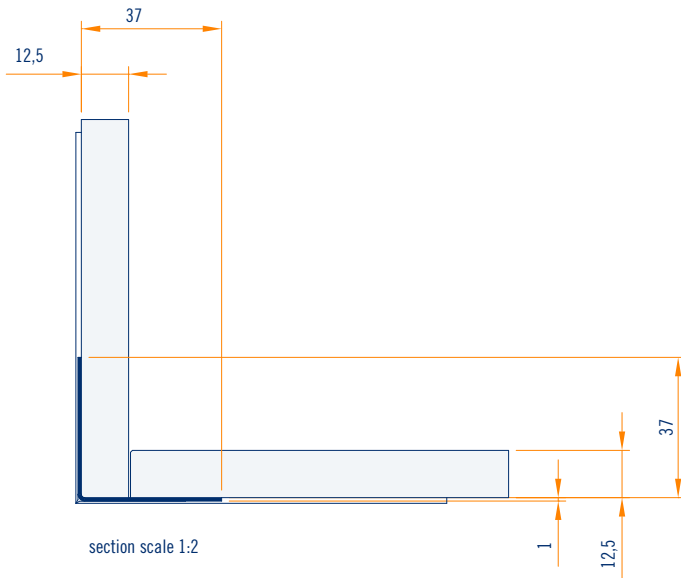
section scale 1:2

OUTSIDE REINFORCED CORNER BEAD 90°

Item	Description	Dimension and thickness	Weight per package	Application	Sales unit
PC00037325	outside reinforced corner bead 90° Fast Finish	l 2740 s 1	12.74	suspended ceiling double wall wall	50 pcs 137 ml



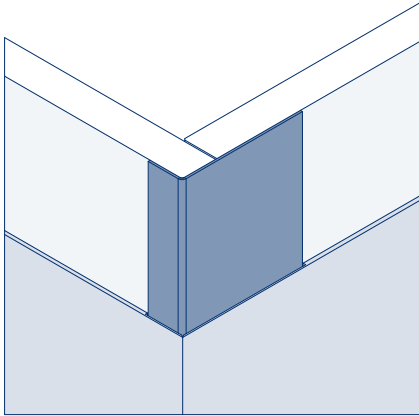
axonometric view scale 1:2



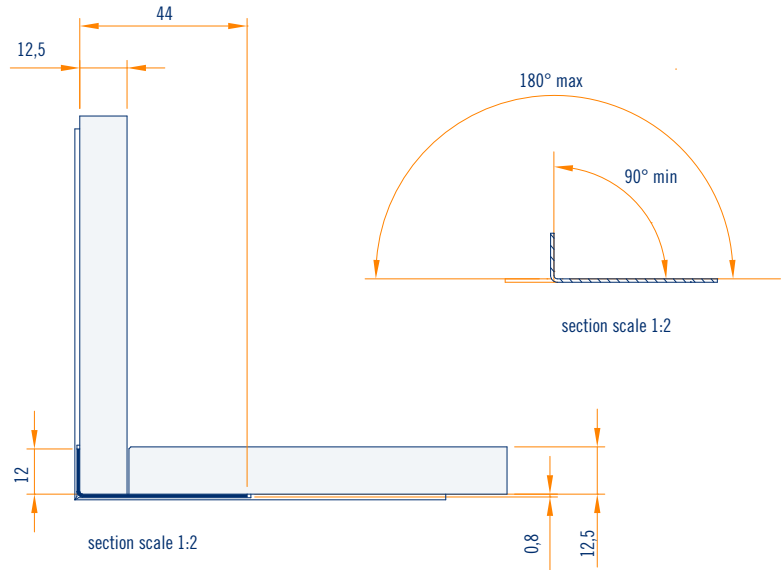
section scale 1:2

EDGE BEAD WITH VARIABLE ANGLE

Item	Description	Dimension and thickness	Weight per package	Application	Sales unit
PC00037326	edge bead with variable angle Fast Finish	l 30500 s 0.8	1.50	suspended ceiling double wall wall	1 roll 1x30.5 ml



axonometric view scale 1:2

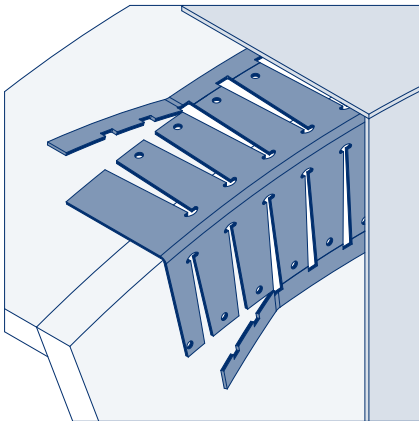


section scale 1:2

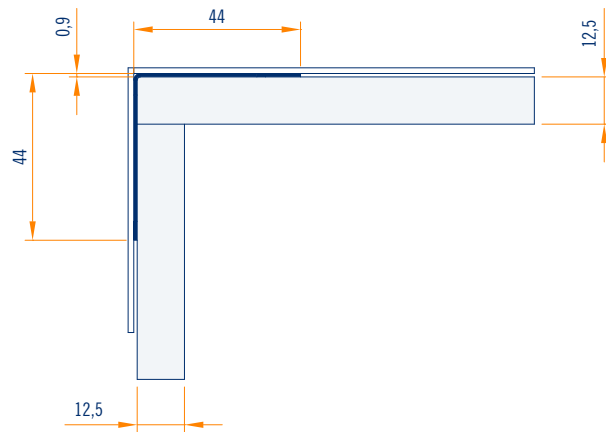
section scale 1:2

FLEXIBLE EDGE BEAD

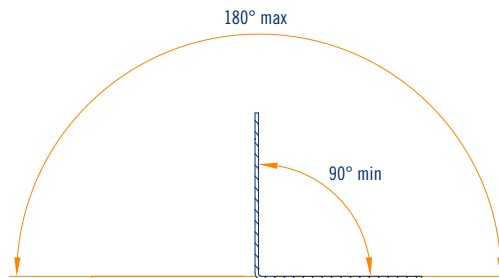
Item	Description	Dimension and thickness	Weight per package	Application	Sales unit
PC00037327	flexible edge bead Fast Finish	l 30500 s 0.9	2.20	suspended ceiling double wall wall	1 roll 1x30.5 ml



axonometric view scale 1:2



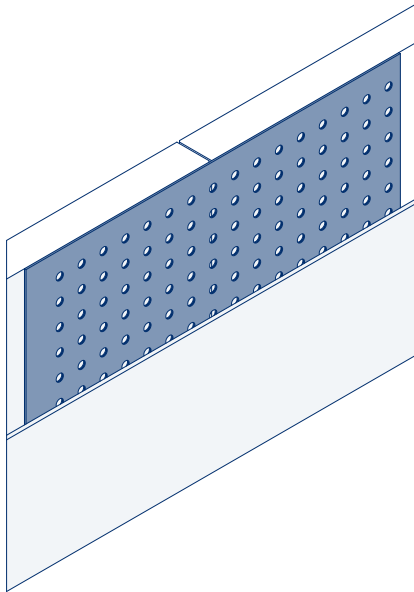
section scale 1:2



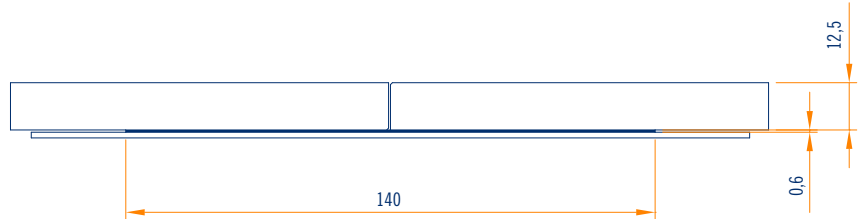
section scale 1:2

REPAIR PATCH

Item	Description	Dimension and thickness	Weight per package	Application	Sales unit
PC00037328	repair patch Fast Finish	l 6100 s 0.6	1.00	suspended ceiling double wall wall	1 roll 1x6.1 ml



axonometric view scale 1:2



section scale 1:2

OUTSIDE ROLLING TOOL 90° FOR ITEMS PC00037322-37324

Item	Description	Dimension and thickness	Weight per package	Application	Sales unit
PC00001473	outside rolling tool 90° for items / PC00037322-37324		0.55	suspended ceiling double wall wall	1 pcs



INSIDE ROLLING TOOL 90° FOR ITEMS PC00037322-37323

Item	Description	Dimension and thickness	Weight per package	Application	Sales unit
PC00001474	inside rolling tool 90° for items / PC00037322-37323		0.55	suspended ceiling double wall wall	1 pcs



OUTSIDE ROLLING TOOL FOR 90°

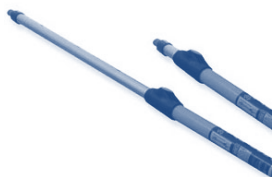
FOR ITEMS PC00037320-37321-37325-37327

Item	Description	Dimension and thickness	Weight per package	Application	Sales unit
PC00001477	outside rolling tool for 90° for items PC00037320-37321-37325-37327	/	0.55	suspended ceiling double wall wall	1 pcs



EXTENTION POLE

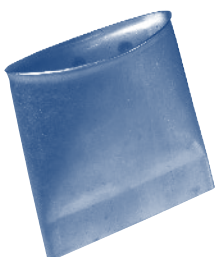
Item	Description	Dimension and thickness	Weight per package	Application	Sales unit
PC00001478	extention pole for inner and outer edge 90°	1910-1520	4.08	suspended ceiling double wall wall	1 pcs



FOLDING TOOL

FOR ITEMS PC00037320-37322-37323-37326-37327

Item	Description	Dimension and thickness	Weight per package	Application	Sales unit
PC00001479	folding tool for items PC00037320-37322-37323-37326-37327	/	6.00	suspended ceiling double wall wall	1 pcs



IMPORTANT RECOMMENDATIONS FOR USING AND STORING PRODUCTS

CE Marking

Please note that each product is part of a hanging/connection kit for connecting to the upper anchoring system and to the supporting element in dry construction systems **for use inside buildings**. The various components are identified in the catalogue and price list with the CE logo.

Each CE product has a Declaration of Performance (DOP).

Durability: class B (Components of a building exposed to variable relative humidity up to 90% and to variable temperatures up to 30°C but with no exposure to corrosive pollution agents).

Recommendations for storing metal framing elements

We recommend to store packages in a covered area with a relatively dry atmosphere and as constant a temperature as possible, to avoid condensation that could consume the passivation coat protecting the galvanised surface.

If stored outdoors (**not recommended**), please cover so as to ensure the material is fully protected against adverse weather conditions (rain, fog, snow), making sure the packages are stored in a slightly inclined position. The cover must nevertheless ensure sufficient airflow (the two surfaces must not be in direct contact) so that moisture does not settle and create condensation.



Metalstampi s.r.l.
Vicolo Biban, 7
31030 Biban di Carbonera (TV) Italy
Tel. +39 0422 398250
export@metalstampi.com
www.metalstampi.com