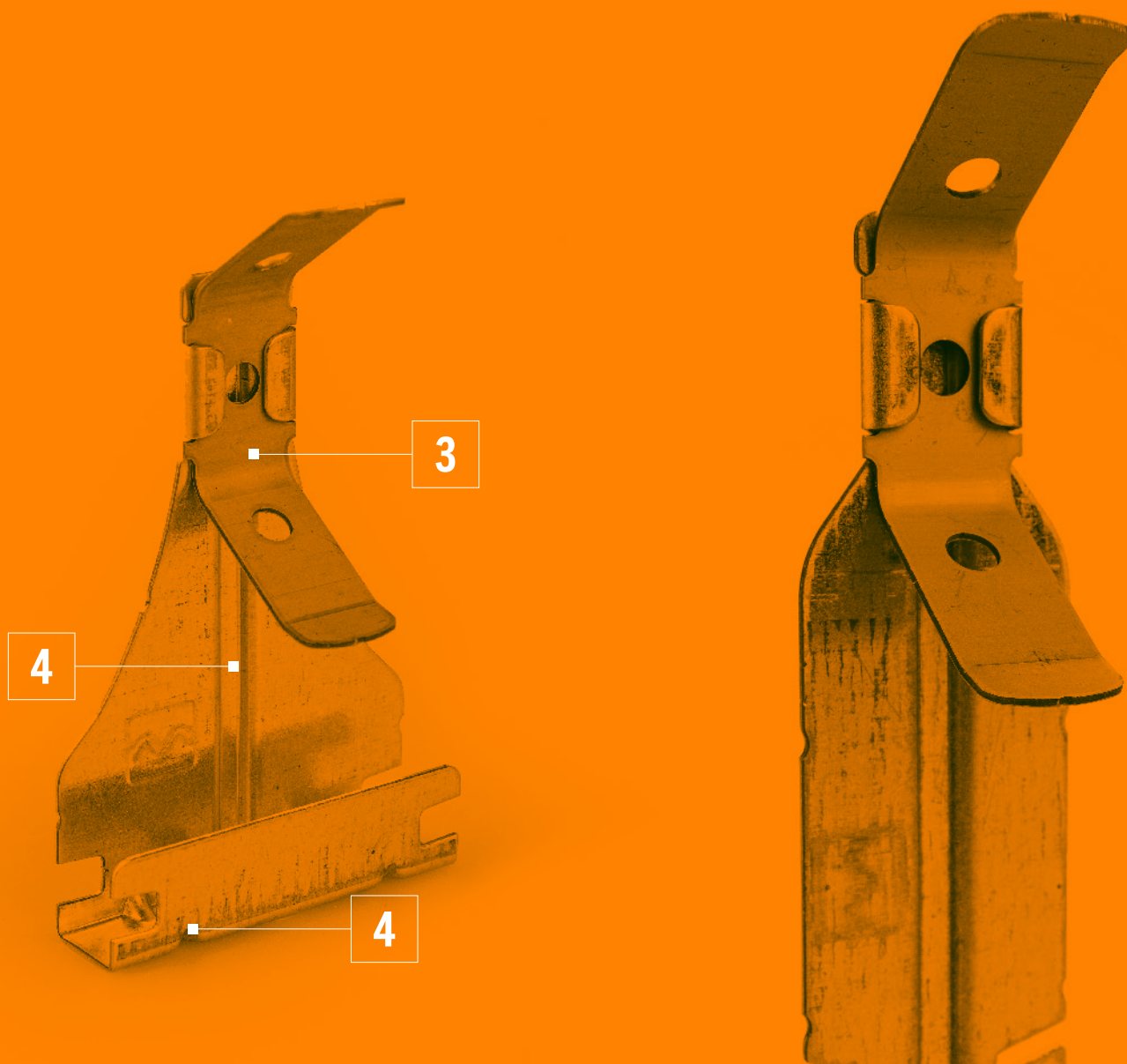
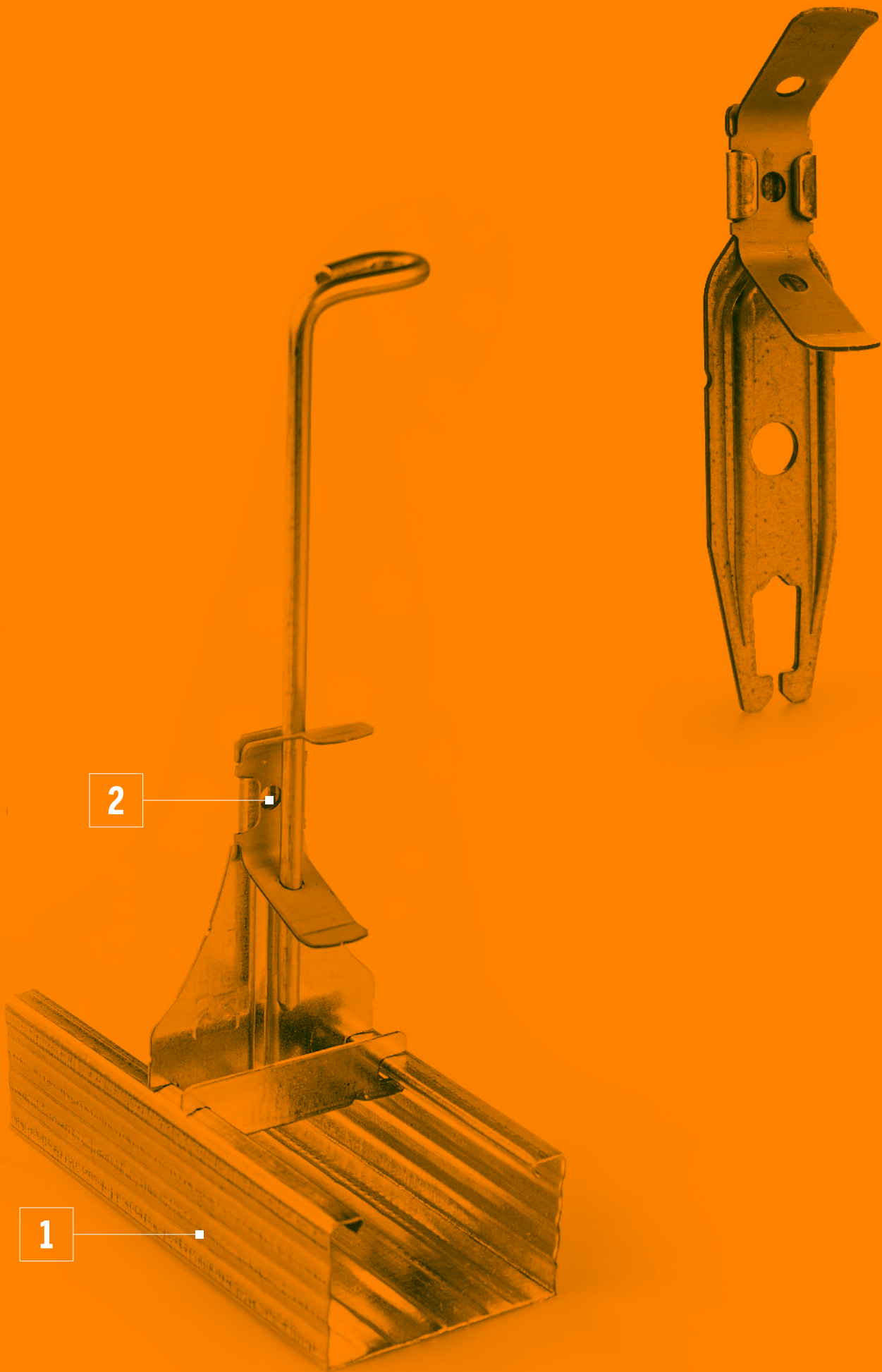


FASTENING SYSTEMS CONNECT STEEL

STRENGTHS

1	Compliance to mandatory CE marking and EU standard EN 13964 ("Suspended ceilings - Requirement and test methods") carried out by using accessory kits and profiles produced by Metalstampi.
2	Optimised product dimensions: less space taken up in the cavity.
3	New adjustment spring configuration: quick adjustments.
4	New structural ribs: smaller deformations of the product.
5	Energy saving: reduction of the use of steel in manufacturing.





1

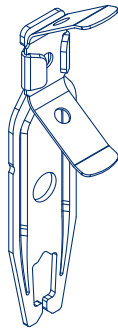
2

SLIDING SPRING CONNECTOR EVOLUTION BASE 15/24

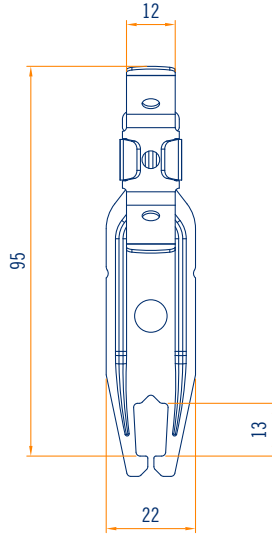


T/38/15 - T/38/24

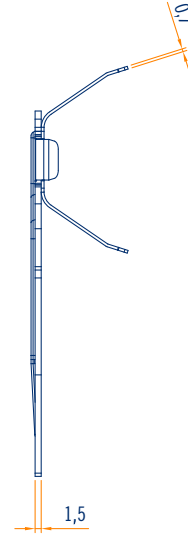
Code	Description	Dimension and thickness	Weight per package	Application	Sales unit
	sliding spring connector EVOLUTION				
605/P100	T/38/15 T/38/24	spring t 0.7 connector t 1.5	2,60	suspended ceiling	100 total pieces



axonometric view scale 1:2



front view scale 1:2



side view scale 1:2

CLICK-ON SLIDING SPRING CONNECTOR EVOLUTION

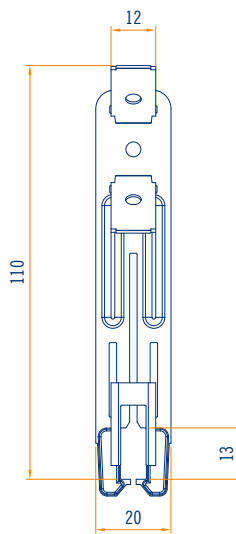


T/38/15 - T/38/24

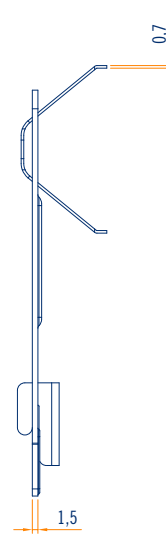
Code	Description	Dimension and thickness	Weight per package	Application	Sales unit
	click-on sliding spring connector EVOLUTION				
606/P100	T/38/15 T/38/24	spring t 0.7 connector t 1.5	3,05	suspended ceiling	100 total pieces



axonometric view scale 1:2



front view scale 1:2



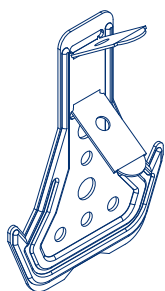
side view scale 1:2

SPRING CONNECTOR

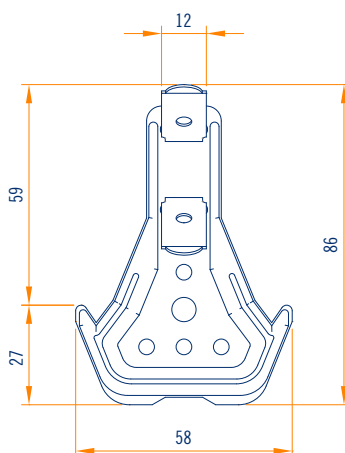


C/27/60/27 BI-BA

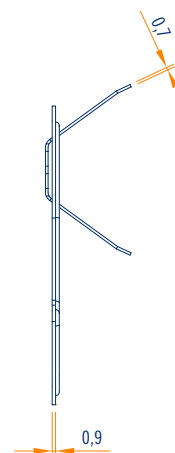
Code	Description	Dimension and thickness	Weight per package	Application	Sales unit
061/P100	Spring connector C/27/60/27 BI-BA	connector t 1.5 spring t 0.7	1,90	suspended ceiling	100 total pieces



axonometric view scale 1:2



front view scale 1:2



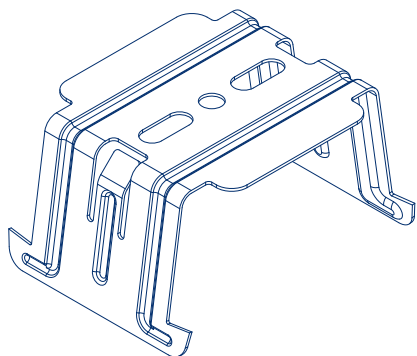
side view scale 1:2

CLICK-ON ORTHOGONAL CONNECTOR

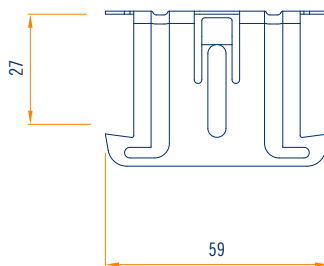


C/27/60/27 BI-BA

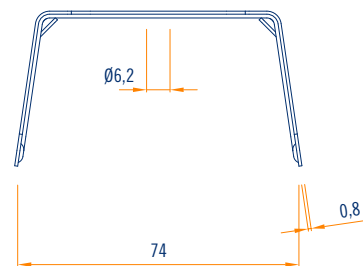
Code	Description	Dimension and thickness	Weight per package	Application	Sales unit
062/P100/A	click-on orthogonal connector C/27/60/27 BI-BA	t 0,8	4,80	suspended ceiling	100 total pieces



axonometric view scale 1:2



front view scale 1:2

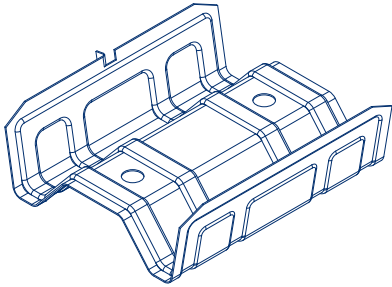


side view scale 1:2

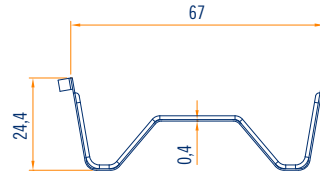
LONGITUDINAL JOINT

C/27/60/27 BI-BA

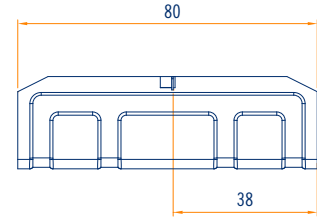
Cod.	Descrizione	Dimensioni e spessore mm	Peso kg per confezione	Applicazione	Contenuto confezione
063/P100	longitudinal joint C/27/60/27 BI-BA	d 27 t 0,4	3,80	suspended ceiling	100 total pieces



axonometric view scale 1:2



front view scale 1:2



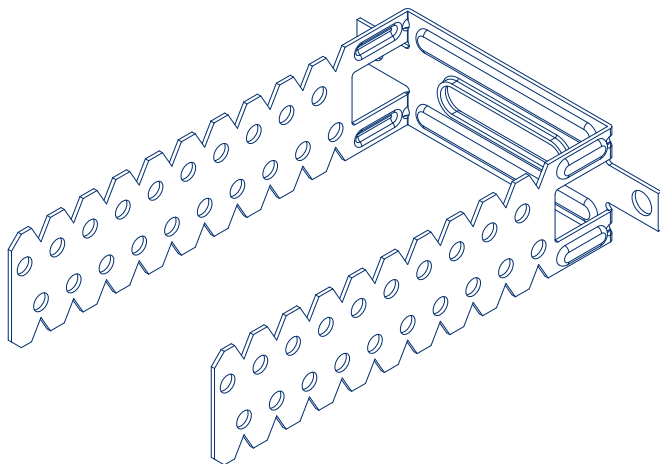
side view scale 1:2

ADJUSTABLE BRACKET

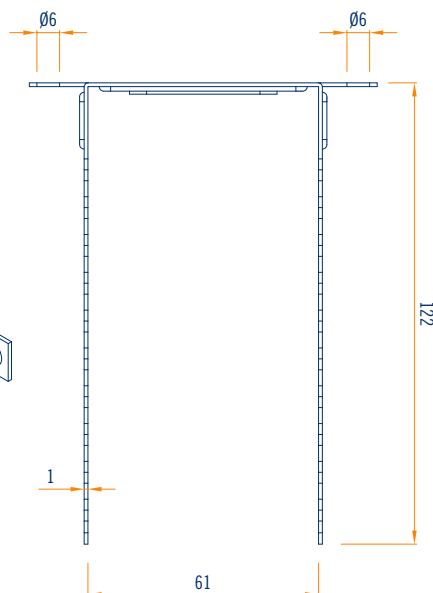
C/27/60/27 BI-BA



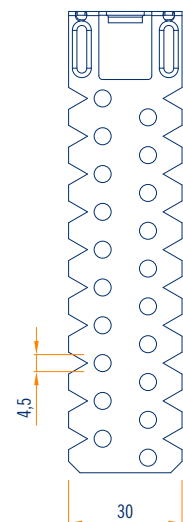
Code	Description	Dimension and thickness	Weight per package	Application	Sales unit
	adjustable bracket C/27/60/27 BI-BA				
220/P100	60x60	d 60 t 1	3,60	suspended ceiling	100 total pieces
064/P100	60x120	d 120 t 1	6,00		100 total pieces
221/P100	60x150	d 150 t 1	7,50		100 total pieces
222/P100	60x200	d 200 t 1	4,90		50 total pieces
223/P100	60x250	d 250 t 1	5,60		50 total pieces



axonometric view scale 1:2



front view scale 1:2



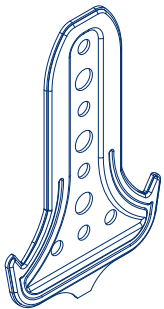
side view scale 1:2

STRAIGHT CONNECTOR

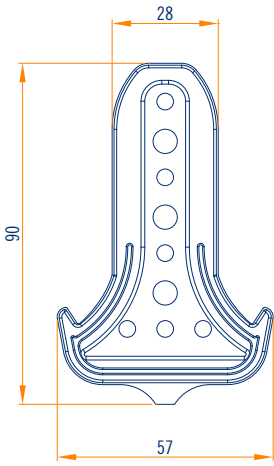


C/27/60/27 BI-BA


Code	Description	Dimension and thickness	Weight per package	Application	Sales unit
355/P100	straight connector with through-hole $\varnothing 5$ C/27/60/27 BI-BA	l 90 t 1	2,20	suspended ceiling	100 total pieces



axonometric view scale 1:2

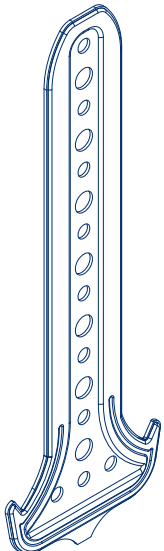


front view scale 1:2

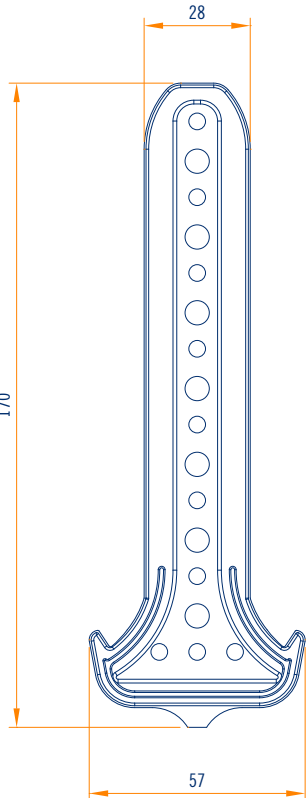


side view scale 1:2

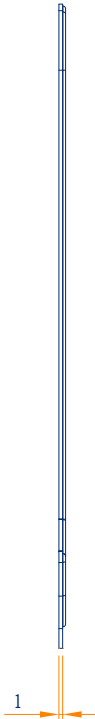
Code	Description	Dimension and thickness	Weight per package	Application	Sales unit
356/P100	straight connector with through-hole $\varnothing 5$ C/27/60/27 BI-BA	l 170 t 1	3,10	suspended ceiling	100 total pieces



axonometric view scale 1:2

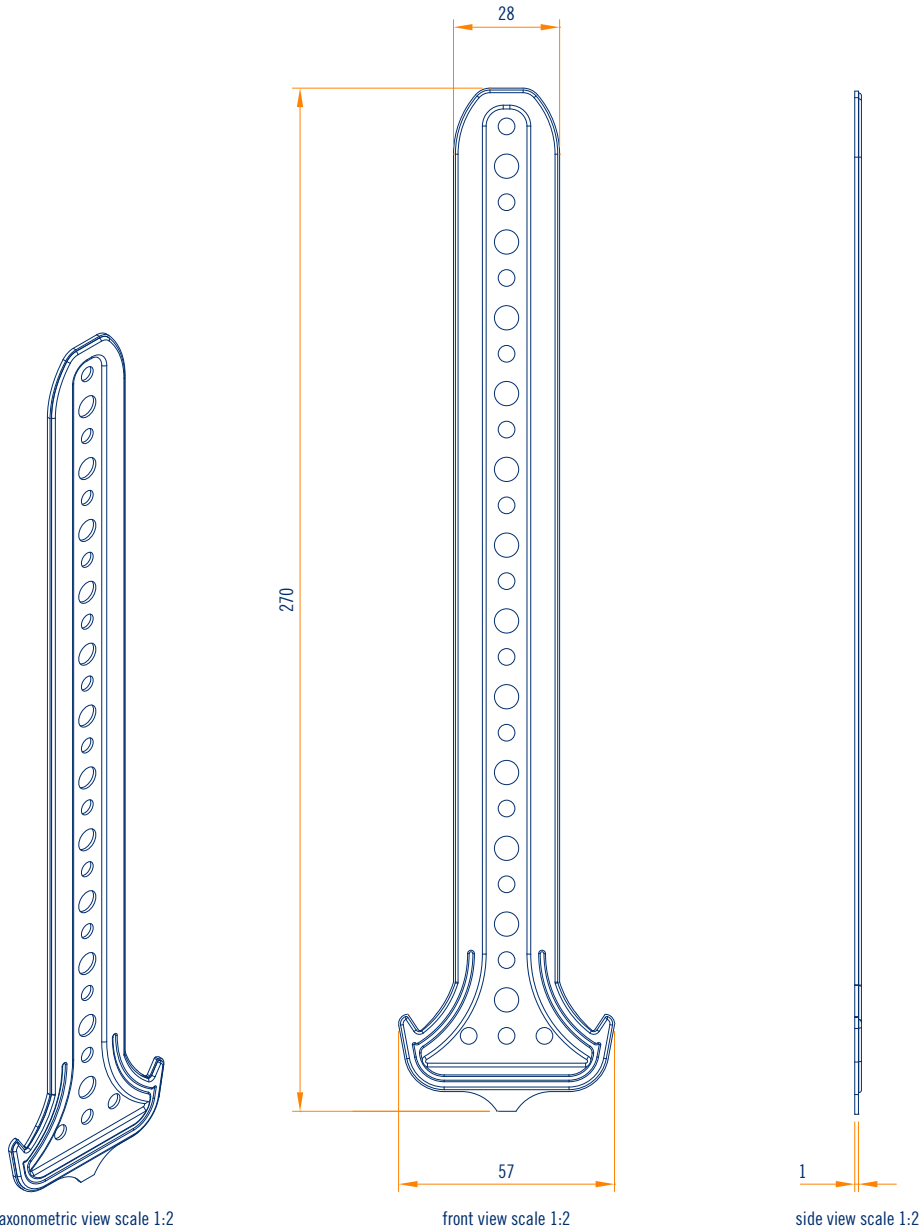


front view scale 1:2



side view scale 1:2

Code	Description	Dimension and thickness	Weight per package	Application	Sales unit
357/P100	straight connector with through-hole $\varnothing 5$ C/27/60/27 BI-BA	l270 t1	5,10	suspended ceiling	100 total pieces

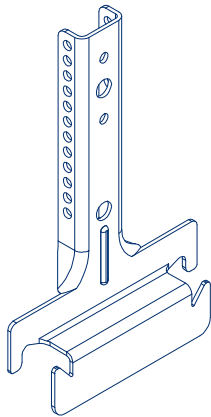


STRAIGHT CONNECTOR RULED IN SUPPORT PITCH 5 mm

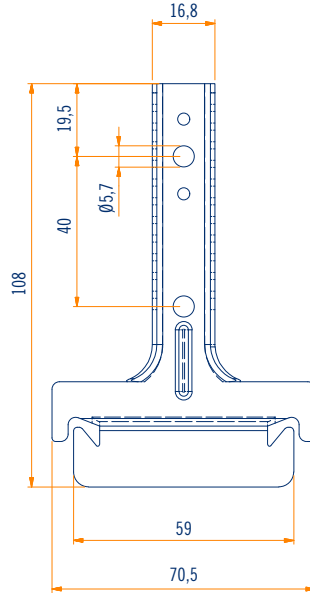


C/27/60/27 BI-BA

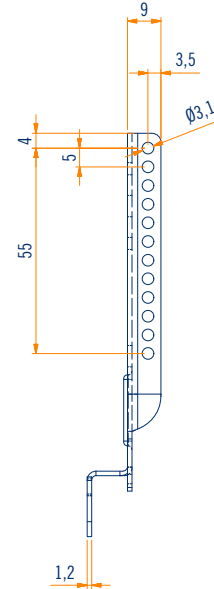
Code	Description	Dimension and thickness	Weight per package	Application	Sales unit
500/P100	straight connector ruled in support pitch 5 mm C/27/60/27 BI-BA	t1,2	3,90	suspended ceiling	100 total pieces



axonometric view scale 1:2



front view scale 1:2



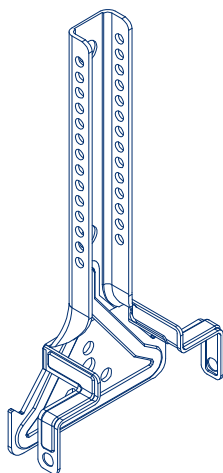
side view scale 1:2

STRAIGHT CONNECTOR RULED PITCH 5 mm

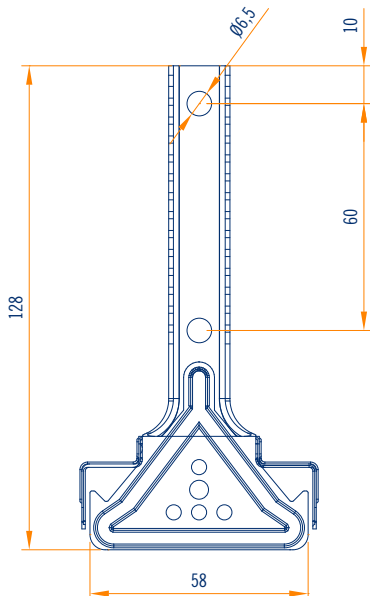


C/27/60/27 BI-BA

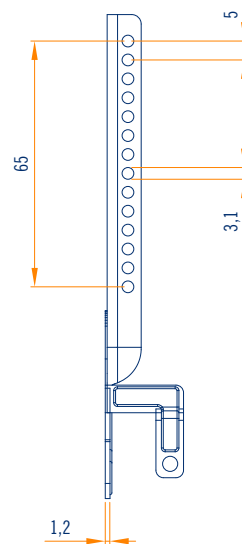
Code	Description	Dimension and thickness	Weight per package	Application	Sales unit
501/P100	straight connector ruled pitch 5 mm C/27/60/27 BI-BA	t1.2	4,40	suspended ceiling	100 total pieces



axonometric view scale 1:2



front view scale 1:2



side view scale 1:2

HANGER FOR STRAIGHT CONNECTOR RULED PITCH 6 mm

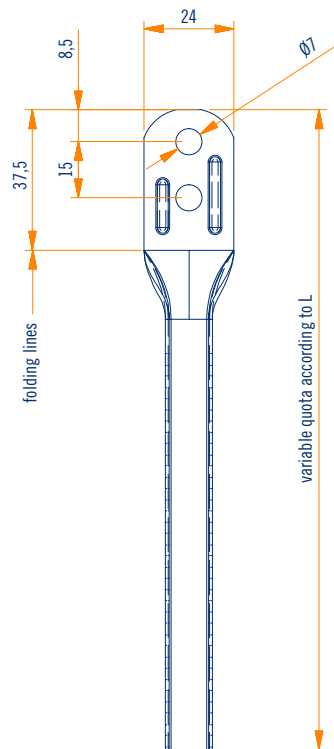


C/27/60/27 BI-BA

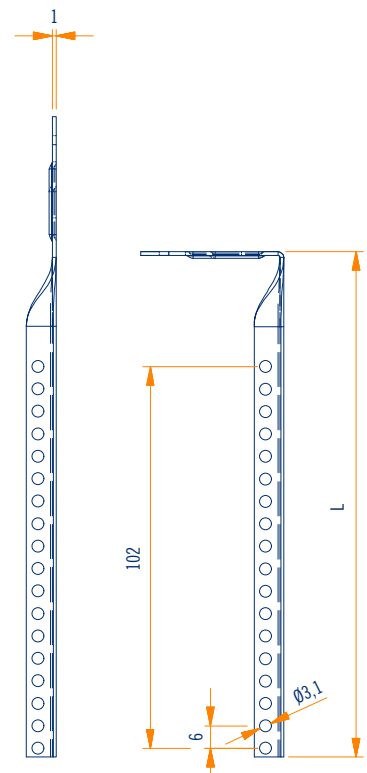
Code	Description	Dimension and thickness	Weight per package	Application	Sales unit
	hanger for straight connector ruled pitch 6 mm C/27/60/27 BI-BA				
510/P100	135	d 135 t1	3,20		100 total pieces
511/P100	235	d 235 t1	4,30		100 total pieces
512/P100	340	d 340 t1	6,70		100 total pieces
513/P100	440	d 440 t1	7,80		100 total pieces
514/P100	540	d 540 t1	9,20		100 total pieces
515/P100	640	d 640 t1	11,05		100 total pieces
516/P100	740	d 740 t1	13,20		100 total pieces
517/P100	840	d 840 t1	15,00		100 total pieces
518/P100	940	d 940 t1	16,60		100 total pieces
519/P025	1040	d 1040 t1	4,80	suspended ceiling	25 total pieces



axonometric view scale 1:2



front view scale 1:2

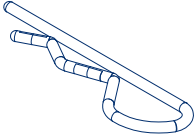


side view scale 1:2

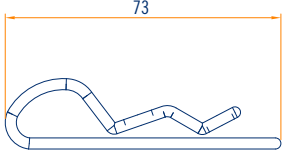
FLAT EYELET HANGER Ø 3.9



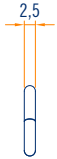
Code	Description	Dimension and thickness	Weight per package	Application	Sales unit
502/P100	flexible clip for straight connector and hangers ruled pitch 5/6 mm C/27/60/27 BI-BA	Ø 2.5	0.60	suspended ceiling	100 total pieces



axonometric view scale 1:2



front view scale 1:2



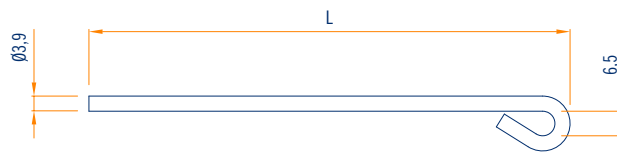
side view scale 1:2

NOTE to be fixed with 2 pieces at least

FLAT EYELET HANGER Ø 3.9



Code	Description	Dimension and thickness	Weight per package	Application	Sales unit
	flat eyelet hanger Ø 3.9				
040/P100		d 125	1.60	suspended ceiling	100 total pieces 1 package
017/P100		d 250	2.80		
041/P100		d 375	4.10		
018/P100		d 500	5.30		
042/P100		d 750	7.00		
019/P100		d 1000	10.40		
043/P100		d 1500	15.30		
044/P100		d 2000	20.40		
149/P100		d 3000	30.50		
151/P100		d 4000	40.80		
		other lengths upon request			

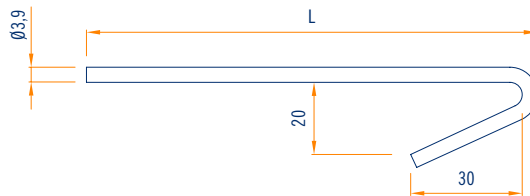


side view scale 1:2

V-SHAPED HANGER Ø 3.9



Code	Description	Dimension and thickness	Weight per package	Application	Sales unit
	V-shaped hanger Ø3.9				
136/P100		d 125	1.60		
137/P100		d 250	2.80		
138/P100		d 375	4.10		
139/P100		d 500	5.30		
140/P100		d 750	7.00		
141/P100		d 1000	10.40		
142/P100		d 1500	15.30		
143/P100		d 2000	20.40		
153/P100		d 3000	30.50		
154/P100		d 4000	40.80	suspended ceiling	100 total pieces
other lengths upon request					

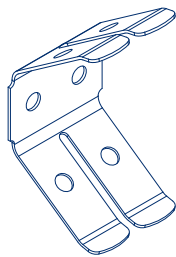


side view scale 1:2

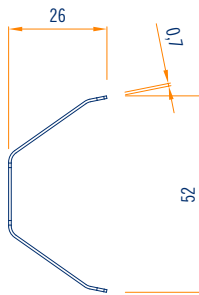
DOUBLE SPRING



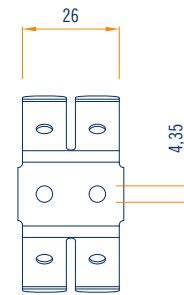
Code	Description	Dimension and thickness	Weight per package	Application	Sales unit
	hanger Ø3.9				
039/P100	adjustment spring for double	t 0,7	1,70	suspended ceiling	100 total pieces



axonometric view scale 1:2



front view scale 1:2



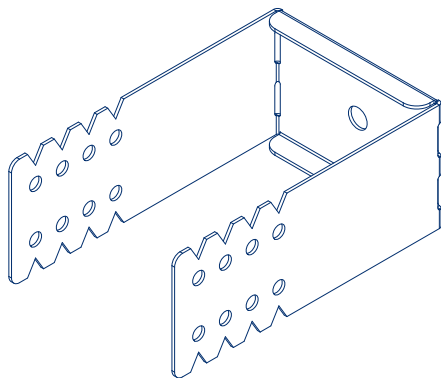
side view scale 1:2

ADJUSTABLE BRACKET WITH THROUGH-HOLE Ø 7

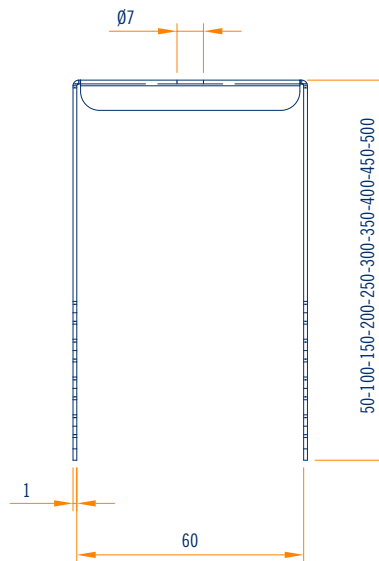


C/27/60/27 BI-BA
60x50-100-150-200-250-300-350-400-450-500

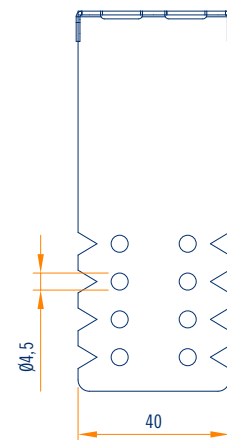
Code	Description	Dimension and thickness	Weight per package	Application	Sales unit
	adjustable bracket with through-hole Ø 7 C/27/60/27 BI-BA				
360/P050	60x50	d 50 t 1	3.50	suspended ceiling false wall	50 total pieces
361/P050	60x100	d 100 t 1	5.60		50 total pieces
362/P020	60x150	d 150 t 1	3.10		20 total pieces
363/P020	60x200	d 200 t 1	3.90		20 total pieces
364/P020	60x250	d 250 t 1	4.80		20 total pieces
365/P020	60x300	d 300 t 1	5.60		20 total pieces
366/P020	60x350	d 350 t 1	6.40		20 total pieces
367/P020	60x400	d 400 t 1	7.25		20 total pieces
368/P020	60x450	d 450 t 1	8.10		20 total pieces
369/P020	60x500	d 500 t 1	8.90		20 total pieces



axonometric view scale 1:2



front view scale 1:2



side view scale 1:2

IMPORTANT RECOMMENDATIONS FOR USING AND STORING PRODUCTS

CE MARKING

Please note that each product is part of a hanging/connection kit for connecting to the upper anchoring system and to the supporting element in dry construction systems **for use inside buildings**.

The various components are identified in the catalogue and price list with the CE logo.

Each CE product has a Declaration of Performance (DOP).

Durability: class B (Components of a building exposed to variable relative humidity up to 90% and to variable temperatures up to 30°C but with no exposure to corrosive pollution agents).

RECOMMENDATIONS FOR STORING METAL FRAMING ELEMENTS

We recommend to store packages in a covered area with a relatively dry atmosphere and as constant a temperature as possible, to avoid condensation that could consume the passivation coat protecting the galvanised surface.

If stored outdoors (**not recommended**), please cover so as to ensure the material is fully protected against adverse weather conditions (rain, fog, snow), making sure the packages are stored in a slightly inclined position. The cover must nevertheless ensure sufficient airflow (the two surfaces must not be in direct contact) so that moisture does not settle and create condensation.

GENERAL SALES CONDITIONS

- Payment for orders must comply with the terms established upon confirmation of order.
- The order will be filled, shipped and delivered in the shortest time possible.
- No claims for damage, even partial may therefore be made in case of delay.
- The cost of transportation and packaging will be included in the sales price, unless the order is below the established quantity for a minimum order.
- No returns will be accepted for custom orders under any condition.
- Returns (only for standard products) will be accepted with a depreciation of 30% of purchase value (for re-packaging and handling expenses), in unopened boxes and upon verification of the condition of the material, and within no more than a year of production.
- The transportation for the return of materials will be at the expense of the customer
- 24-month warranty for design and production flaws is guaranteed from the delivery date.
- All disputes shall be subject to the exclusive jurisdiction of the court of Treviso.

© COPYRIGHT 2024 METALSTAMPI SRL (TV) - ITALY

All rights reserved and subject to industrial property protection. Weights and dimensions are for guidance only.

Metalstampi reserves the right, at any time and without notice, to make technical modifications or changes in construction or dimensions in order to improve production.

CONNECT STEEL™, CONNECT GUMMY SYSTEM™, CONNECT EVOLUTION™ AQUAFRAME ERGONOMIC™, JOIN SYSTEM™, JOIN SYSTEM AIR STOP™, WHITEBOX™, FLASHLINE HARD™, FLASHLINE EAGLE™, FLASHLINE ACCESSORIES™ and their translations are all trademarks of Metalstampi Srl (TV) Italy.

The product images on the catalogue, price list and packaging are provided for illustrative purposes only.

METALSTAMPI srl

Head Office

Production Plant -

Accessories

Vicolo Biban, 7

31030 Biban di Carbonera

Treviso - Italy

Tel. +39 0422 398250

Production Plant - Profiles

Via Giovanni Amendola, 5

31020 Villorba

Treviso - Italy

info@metalstampi.com

www.metalstampi.com

