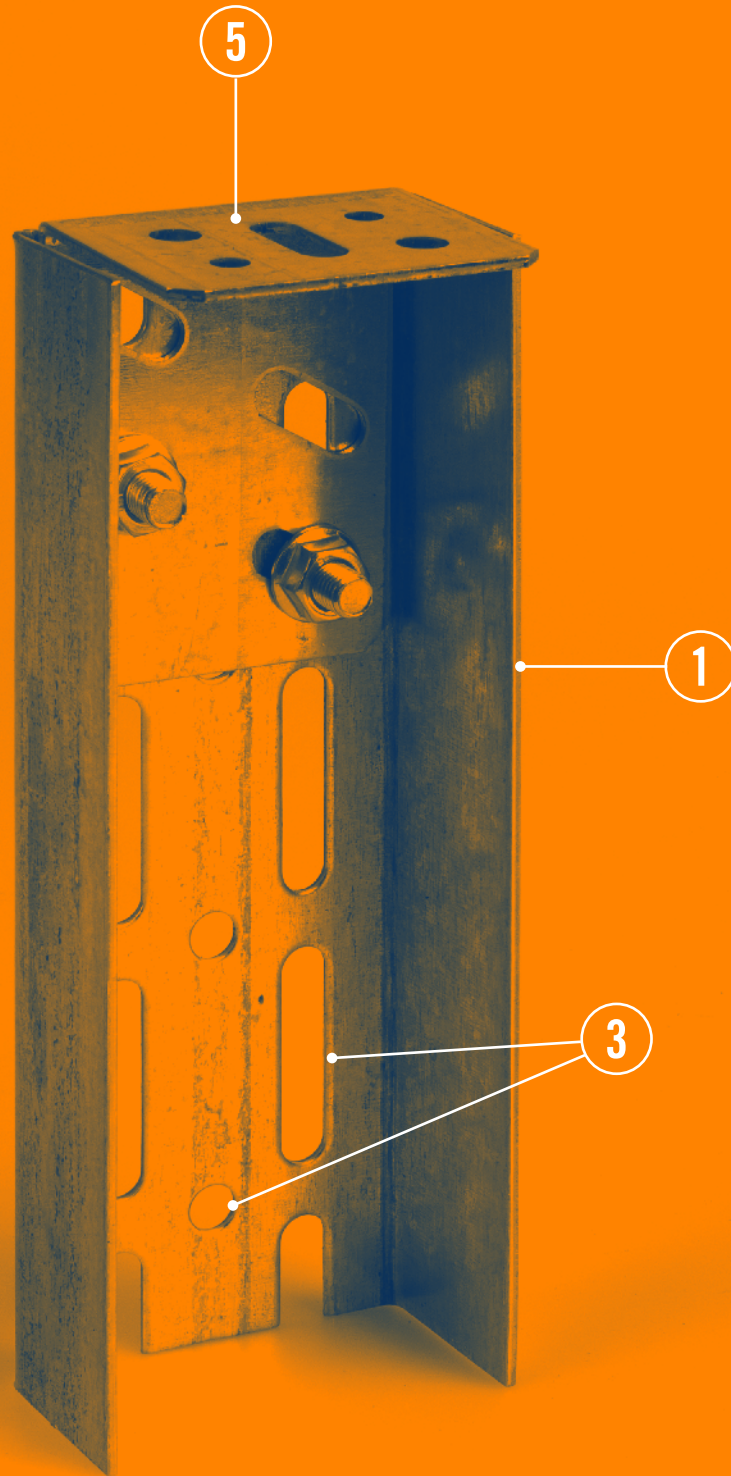

**STEEL FLASHLINE PROFILES
FLASHLINE ACCESSORIES
STEEL C-STUD FOR DOOR**



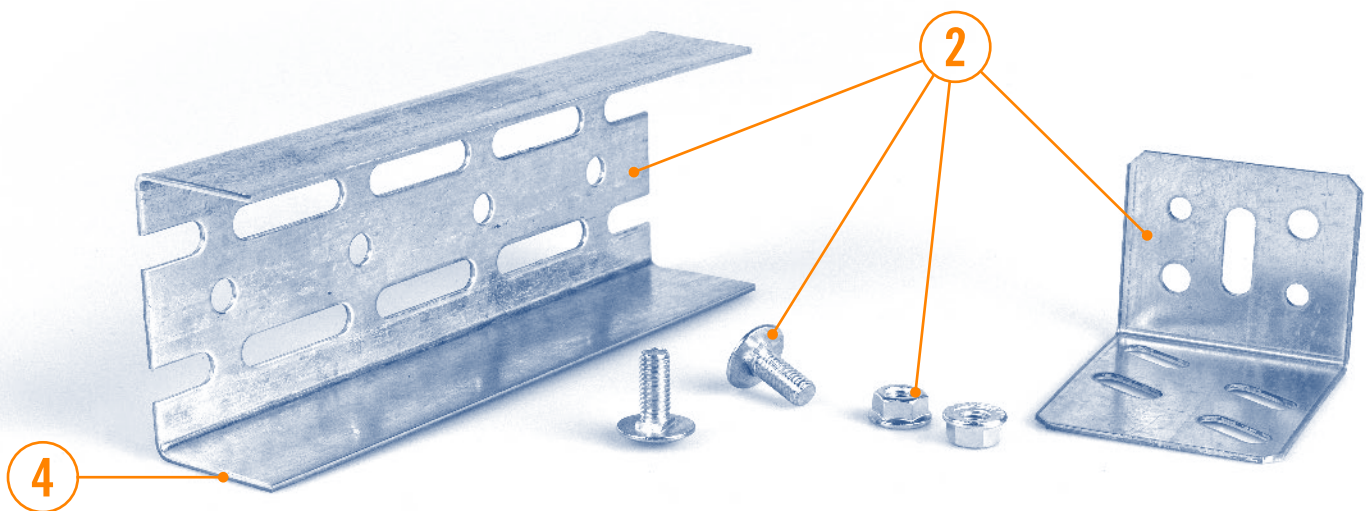
METALSTAMPI

FLASHLINE ACCESSORIES STEEL C-STUD FOR DOOR



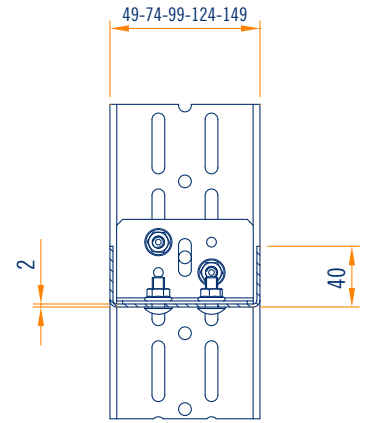
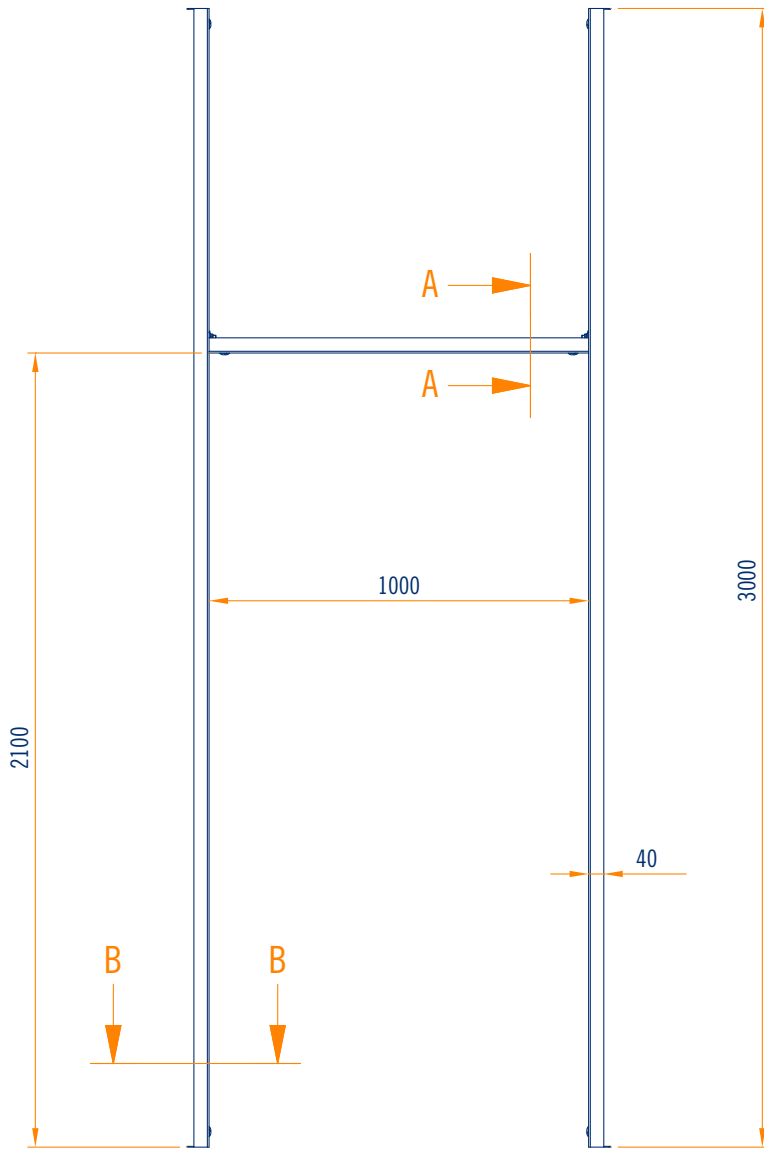
STRENGTHS

- 1— CE marking on the product according to European standard EN 14195 (resistance strength according to EN 10002-1).
- 2— Ready-to-use mounting kit, profile, brackets and special screws.
- 3— Easy handling and mounting thanks to designed holes and slots.
- 4— 2 mm U-profile.
- 5— Adaptability to plasterboard structures on the market (50-75-100-125-150 mm; from h. 2,500 mm to 6,000 mm).

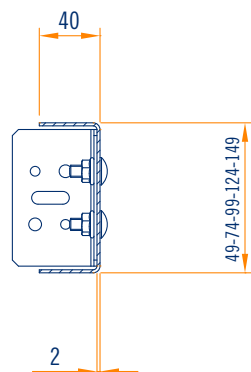


ASSEMBLY DIAGRAM STEEL C-STUD FOR DOORS

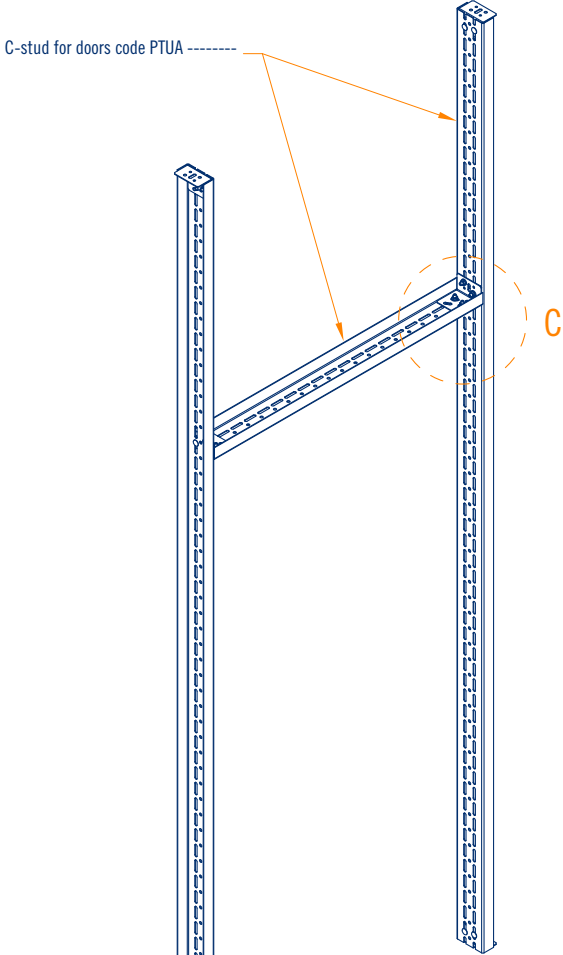
front view
(1:20)



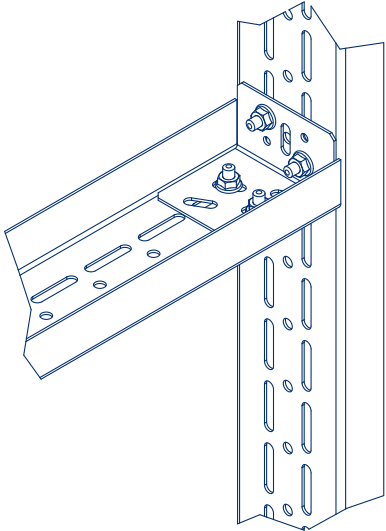
section A-A
(1:5)



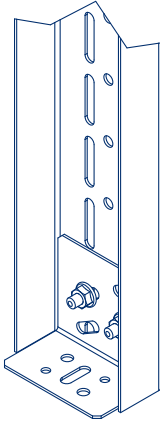
section B-B
(1:5)



axonometric view
(1:20)



DETAIL C
(1:5)



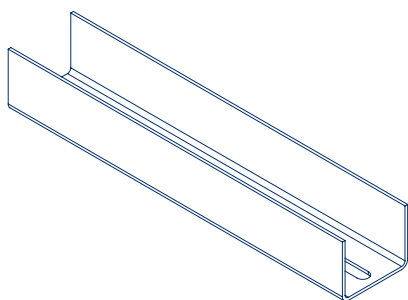
DETAIL D
(1:5)

C-STUD FOR DOORS 2 MM

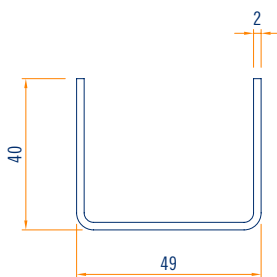
40/50/40 - 40/75/40 - 40/100/40 - 40/125/40 - 40/150/40



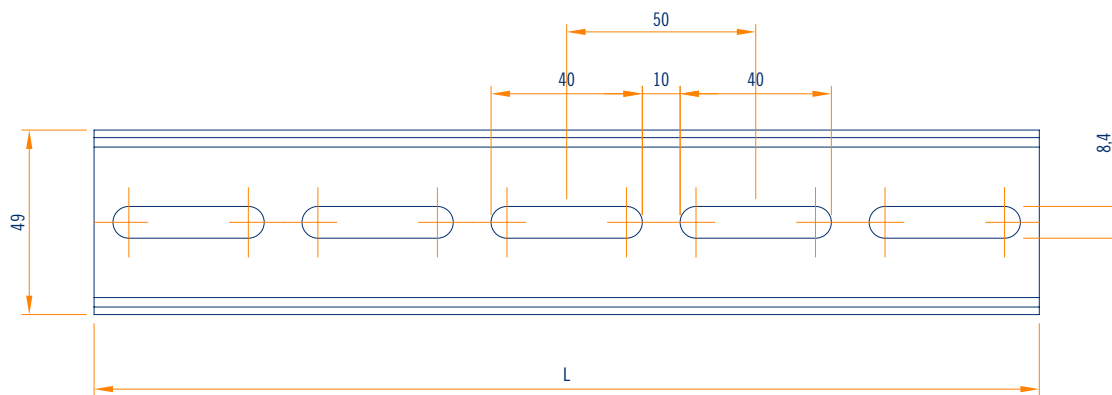
Item	Description	Dimension and thickness	Weight per package	MI per pkg.	Application	Sales unit
	C-stud for doors UA50	b 50 h 40 s 2			double wall dividing wall	96 total pieces 24 package with 4 pieces each
PTUA00502500	UA/40/50/40/2500/2	l 2500	456.00	240.00		
PTUA00503000	UA/40/50/40/3000/2	l 3000	547.20	288.00		
PTUA00503500	UA/40/50/40/3500/2	l 3500	638.40	336.00		
PTUA00504000	UA/40/50/40/4000/2	l 4000	729.60	384.00		
PTUA00504500	UA/40/50/40/4500/2	l 4500	820.80	432.00		
PTUA00505000	UA/40/50/40/5000/2	l 5000	912.00	480.00		



axonometric view scale 1:2

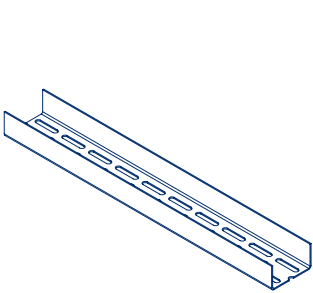


front view scale 1:2

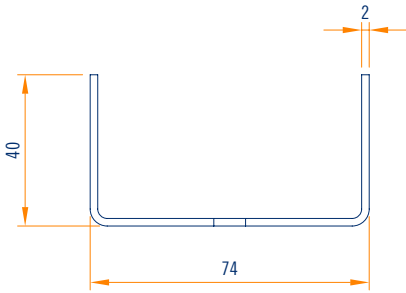


profile drilling plan view scale 1:2

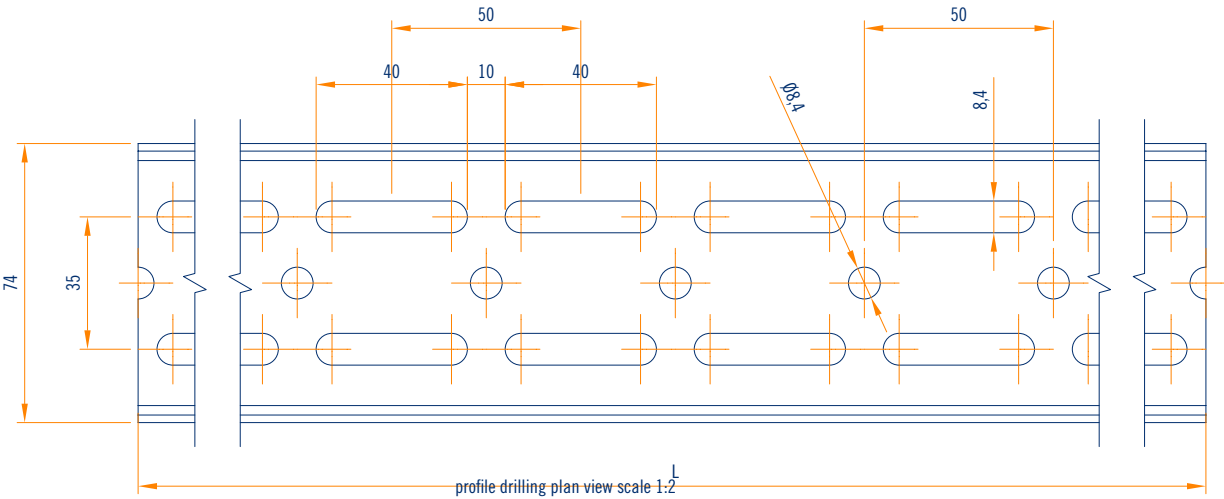
Item	Description	Dimension and thickness	Weight per package	MI per pkg.	Application	Sales unit
	C-stud for doors UA75	b 75 h 40 s 2			double wall dividing wall	96 total pieces 24 package with 4 pieces each
PTUA00752500	UA/40/75/40/2500/2	l 2500	546.50	240.00		
PTUA00753000	UA/40/75/40/3000/2	l 3000	655.80	288.00		
PTUA00753500	UA/40/75/40/3500/2	l 3500	765.10	336.00		
PTUA00754000	UA/40/75/40/4000/2	l 4000	874.40	384.00		
PTUA00754500	UA/40/75/40/4500/2	l 4500	984.96	432.00		
PTUA00755000	UA/40/75/40/5000/2	l 5000	1094.40	480.00		
PTUA00756000	UA/40/75/40/6000/2	l 6000	1313.28	576.00		



axonometric view scale 1:5



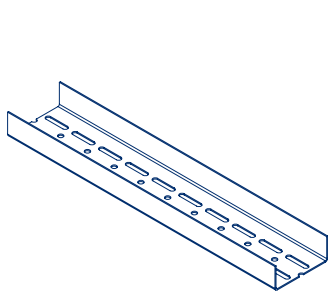
front view scale 1:2



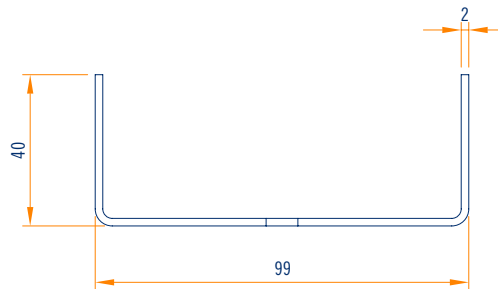
profile drilling plan view scale 1:2

254 FLASHLINE ACCESSORIES

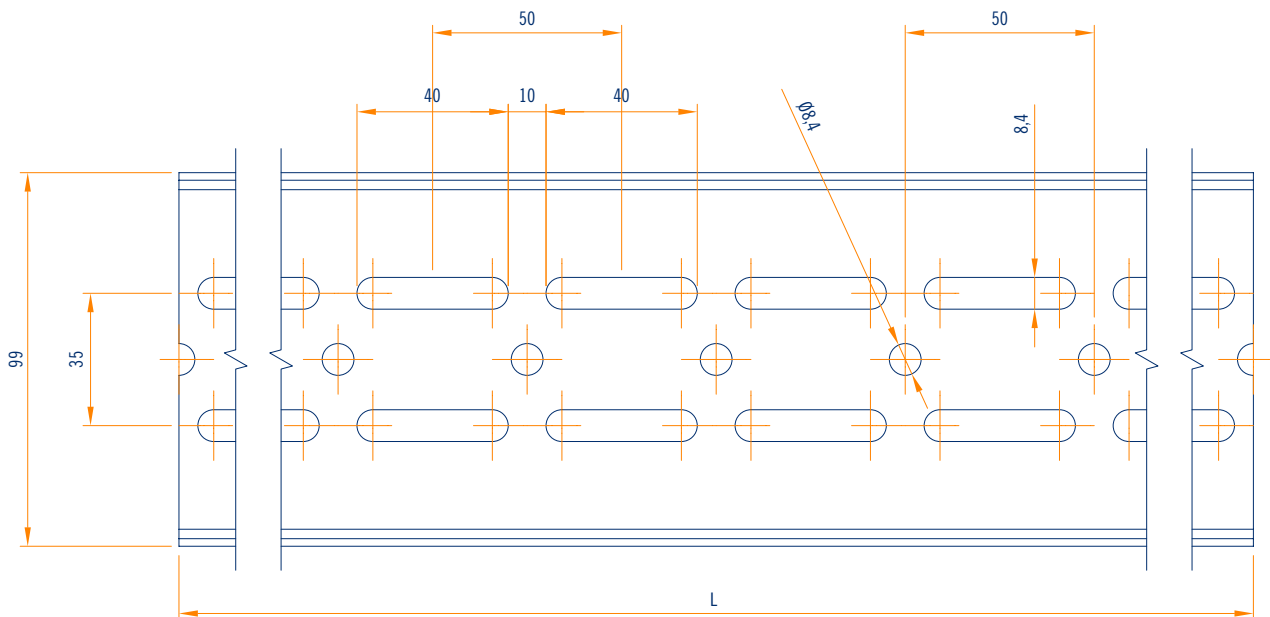
Item	Description	Dimension and thickness	Weight per package	MI per pkg.	Application	Sales unit
	C-stud for doors UA100	b 100 h 40 s 2			double wall dividing wall	64 total pieces 16 package with 4 pieces each
PTUA001002500	UA/40/100/40/2500/2	l 2500	427.00	160.00		
PTUA001003000	UA/40/100/40/3000/2	l 3000	512.50	192.00		
PTUA001003500	UA/40/100/40/3500/2	l 3500	598.00	224.00		
PTUA001004000	UA/40/100/40/4000/2	l 4000	683.30	256.00		
PTUA001004500	UA/40/100/40/4500/2	l 4500	768.96	288.00		
PTUA001005000	UA/40/100/40/5000/2	l 5000	854.40	320.00		
PTUA001006000	UA/40/100/40/6000/2	l 6000	1025.28	384.00		



axonometric view scale 1:5

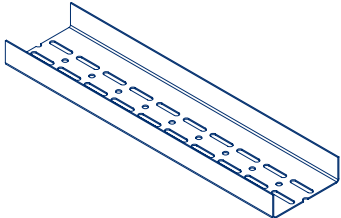


front view scale 1:2

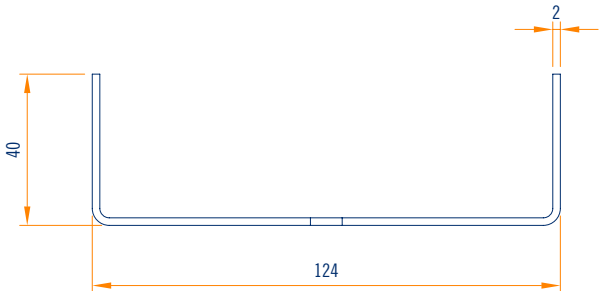


profile drilling plan view scale 1:2

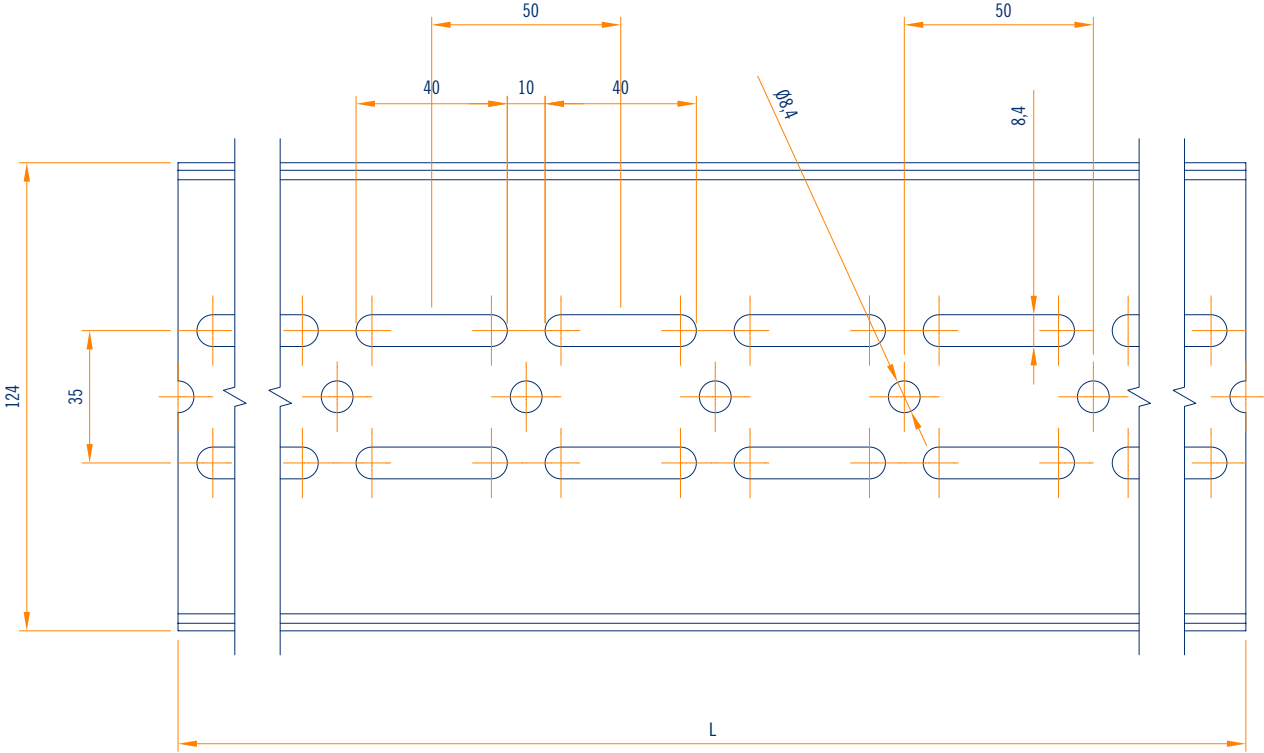
Item	Description	Dimension and thickness	Weight per package	MI per pkg.	Application	Sales unit
	C-stud for doors UA125	b 125 h 40 s 2			double wall dividing wall	64 total pieces 16 package with 4 pieces each
PTUA001254000	UA/40/125/40/4000/2	14000	783.90	256.00		



axonometric view scale 1:5



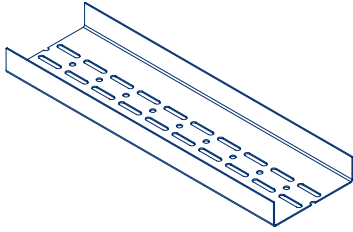
front view scale 1:2



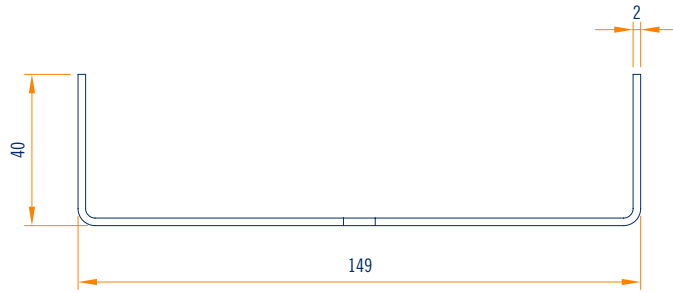
profile drilling plan view scale 1:2

256 FLASHLINE ACCESSORIES

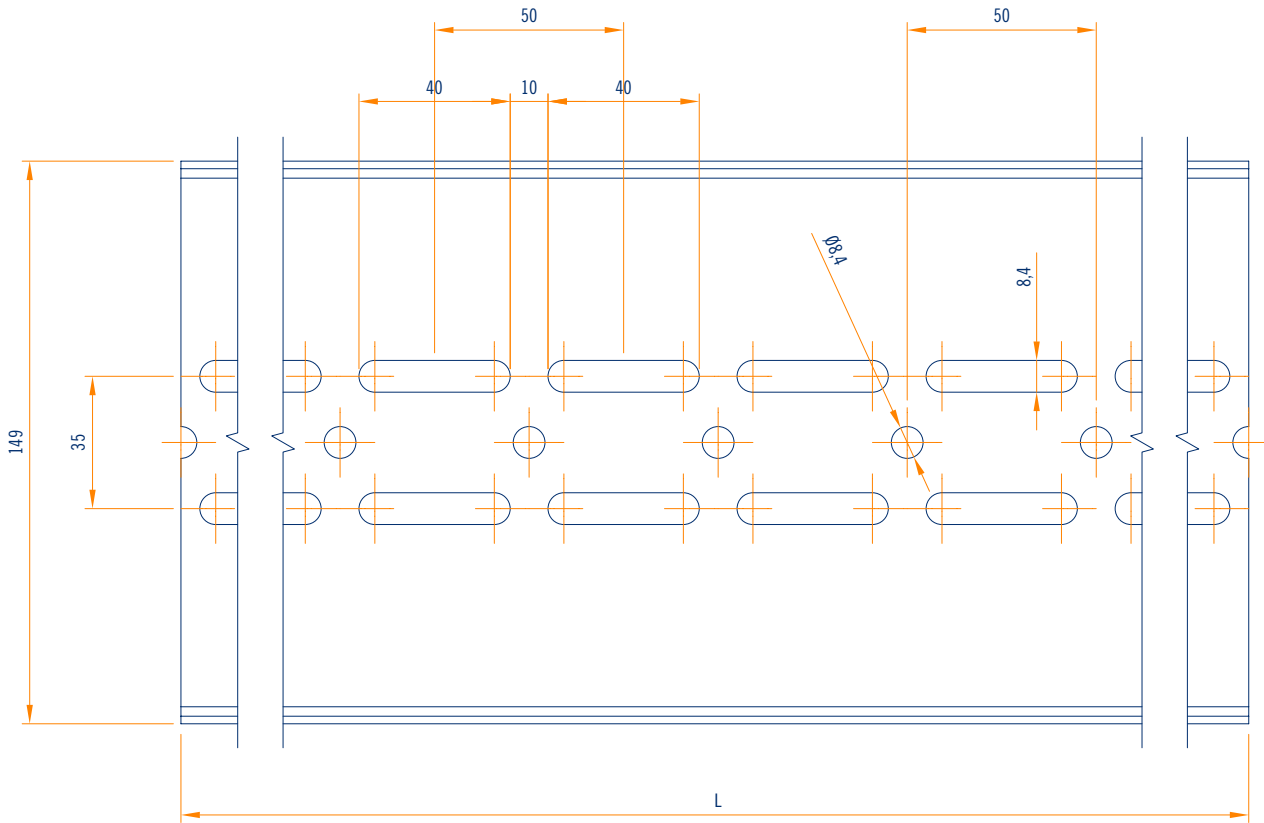
Item	Description	Dimension and thickness	Weight per package	Application	Sales unit
	C-stud for doors UA150	b 150 h 40 s 2		double wall dividing wall	48 total pieces 12 package with 4 pieces each
PTUA001504000	UA/40/150/40/4000/2	14000	663.40	192.00	



axonometric view scale 1:5



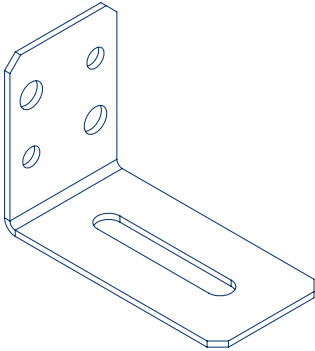
front view scale 1:2



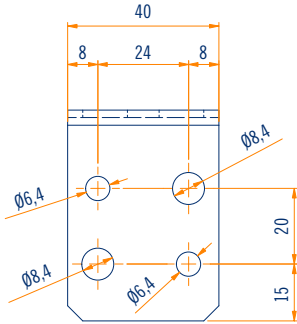
profile drilling plan view scale 1:2

L BRACKET - ROUND SCREW CONNECTOR M8 - FLANGED GALVANIZED NUT FOR C-STUD FOR DOORS

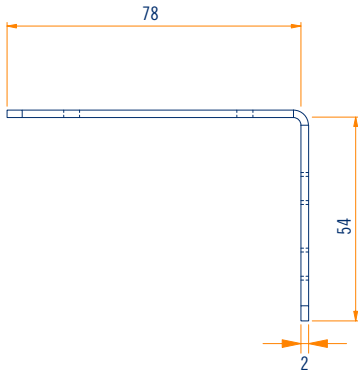
Item	Description	Dimension and thickness	Weight per package	Application	Sales unit
PTUAL50	small L-bracket 54 x 78 x 40 x 2 for C-stud UA50	d 78x40 s 2	1.50	fixing UA50	20 total pieces 1 package



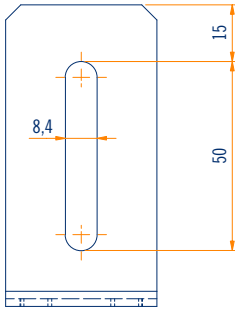
axonometric view scale 1:2



front view scale 1:2

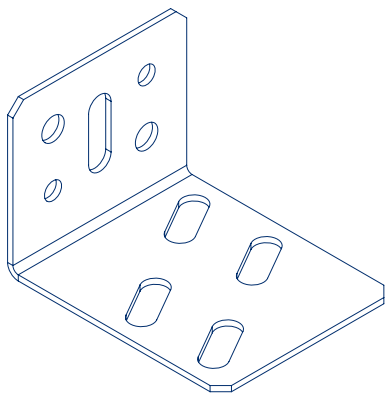


side view scale 1:2

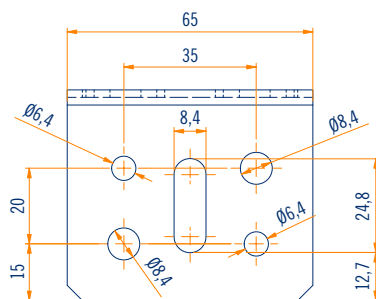


258 FLASHLINE ACCESSORIES

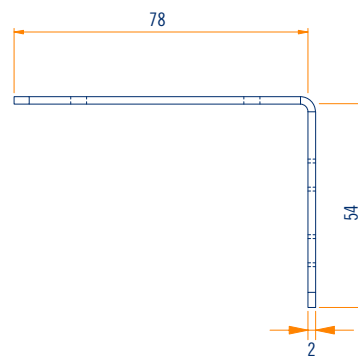
Item	Description	Dimension and thickness	Weight per package	Application	Sales unit
PTUAL75	small L-bracket 54 x 78 x 65 x 2 for C-stud UA75	d 78x65 s 2	2.35	fixing UA75	20 total pieces 1 package



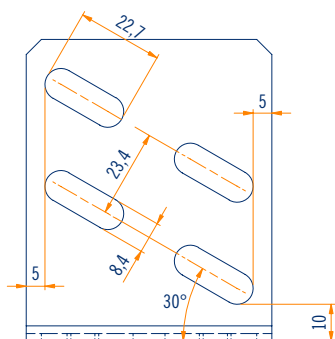
axonometric view scale 1:2



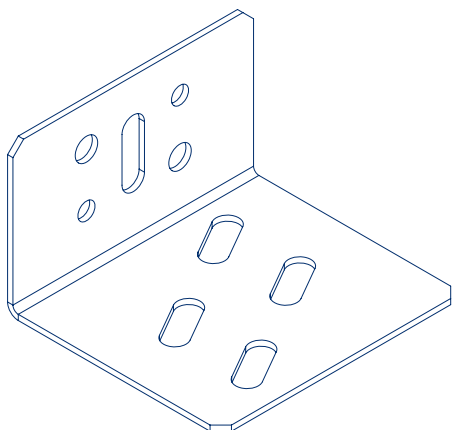
front view scale 1:2



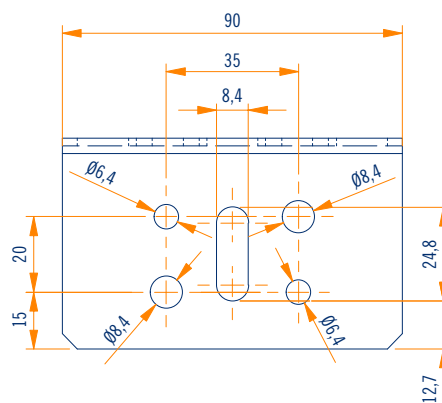
side view scale 1:2



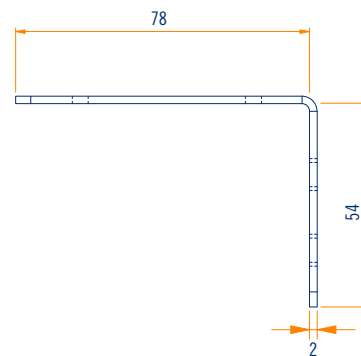
Item	Description	Dimension and thickness	Weight per package	Application	Sales unit
PTUAL100	small L-bracket 54 x 78 x 90 x 2 for C-stud UA100-125-150	d 78x90 s 2	3.45	fixing UA100-125-150	20 total pieces 1 package



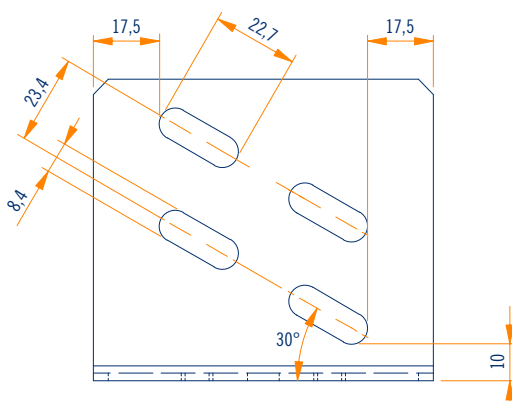
axonometric view scale 1:2



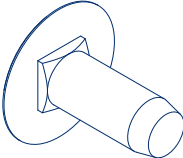
front view scale 1:2



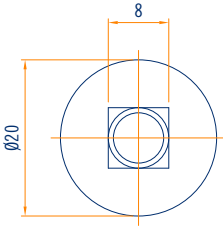
side view scale 1:2



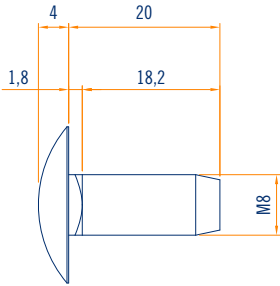
Item	Description	Dimension and thickness	Weight per package	Application	Sales unit
PTUALM8X20	screw connector + flanged galvanized nut M8X20 for C-stud	d \varnothing 8x20	1.15	fixing UA	50 total pieces 1 package



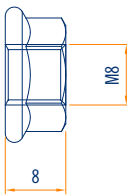
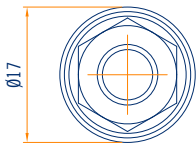
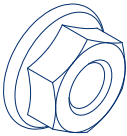
axonometric view scale 1:2



front view scale 1:2



side view scale 1:2



IMPORTANT RECOMMENDATIONS FOR USING AND STORING PRODUCTS

CE Marking

Please note that each product is part of a hanging/connection kit for connecting to the upper anchoring system and to the supporting element in dry construction systems **for use inside buildings**. The various components are identified in the catalogue and price list with the CE logo.

Each CE product has a Declaration of Performance (DOP).

Durability: class B (Components of a building exposed to variable relative humidity up to 90% and to variable temperatures up to 30°C but with no exposure to corrosive pollution agents).

Recommendations for storing metal framing elements

We recommend to store packages in a covered area with a relatively dry atmosphere and as constant a temperature as possible, to avoid condensation that could consume the passivation coat protecting the galvanised surface.

If stored outdoors (**not recommended**), please cover so as to ensure the material is fully protected against adverse weather conditions (rain, fog, snow), making sure the packages are stored in a slightly inclined position. The cover must nevertheless ensure sufficient airflow (the two surfaces must not be in direct contact) so that moisture does not settle and create condensation.



Metalstampi s.r.l.
Vicolo Biban, 7
31030 Biban di Carbonera (TV) Italy
Tel. +39 0422 398250
export@metalstampi.com
www.metalstampi.com