

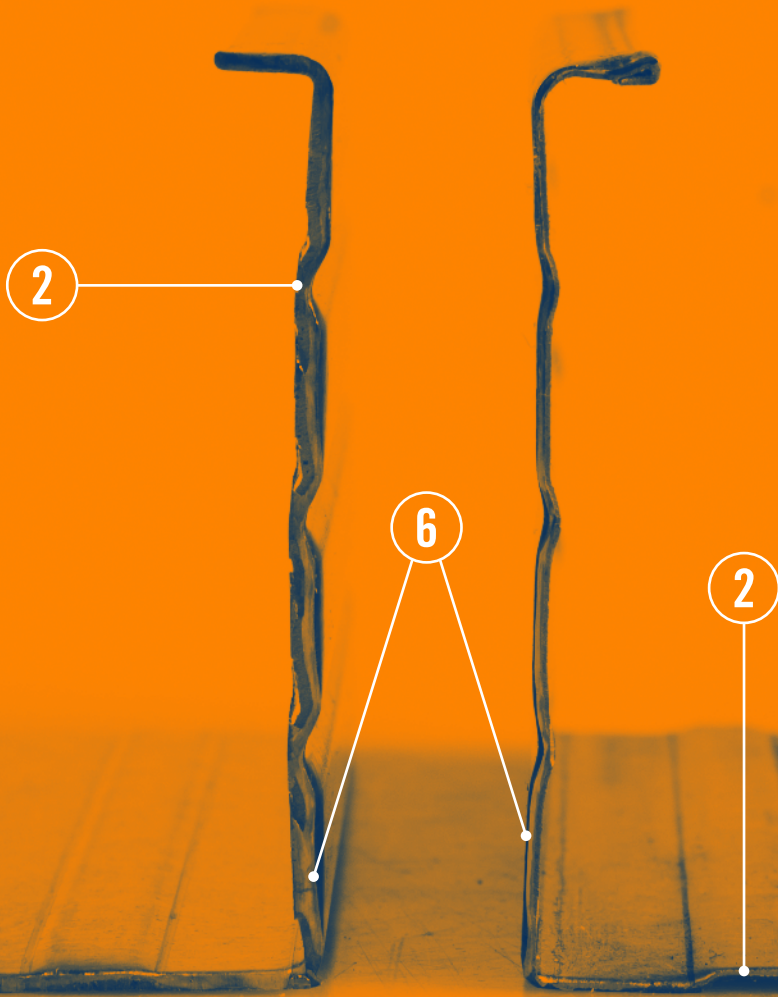
---

# STEEL FLASHLINE PROFILES FLASHLINE HARD



METALSTAMPI

# STEEL PROFILES FLASHLINE HARD

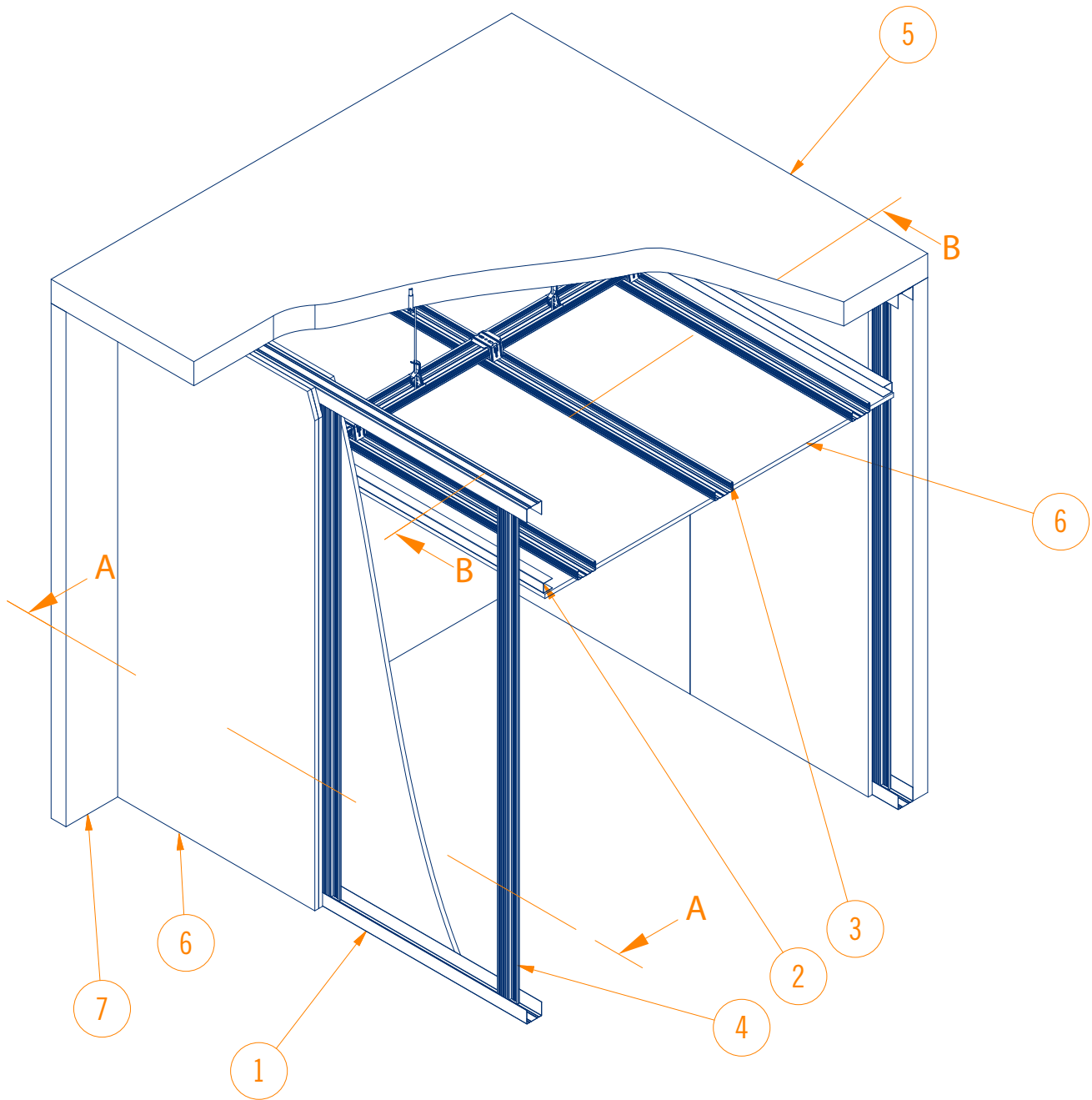


## STRENGTHS

- 1 — Product CE marked, in compliance with European standard EN 14195 (quality of raw materials type DX51D+Z100 MAC), and EN 13964 (mechanical resistance to deflection in ceiling applications).
- 2 — Pronounced longitudinal ribbing provides a more rigid structure (improving mechanical performance).
- 3 — Surfaces to be fastened are milled for texture (to facilitate perforation by screws).
- 4 — Pallets packaged with wooden slats (for easier handling).
- 5 — Each product is labelled with a bar code.
- 6 — Wide selection of products for 0.6 - 0.8 - 1 mm thicknesses.

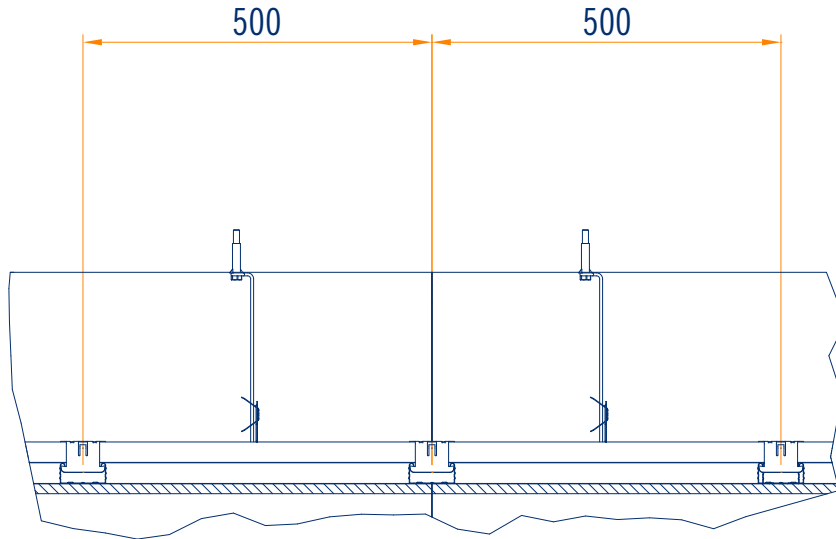


## AXONOMETRIC VIEW FOR METALSTAMPI PRODUCTS STEEL PROFILES FOR WALL AND SUSPENDED CEILING

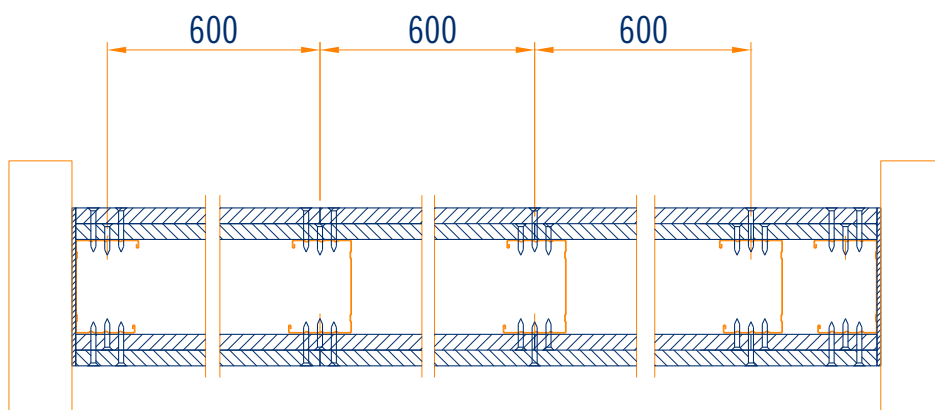


Pos.	Description	Code
1	U-TRACK U/40/75/40/0.6	PU75403000
2	U-TRACK U/30/28/30	PU28303000
3	C-STUD C/27/60/27	PC60273000BI
4	C-STUD C/50/74/47/3000/0.6	PC75503000
5	SLAB	
6	PLASTERBOARD COVERING	
7	WALLS	

# ASSEMBLY DIAGRAM



section B-B  
(1:10)



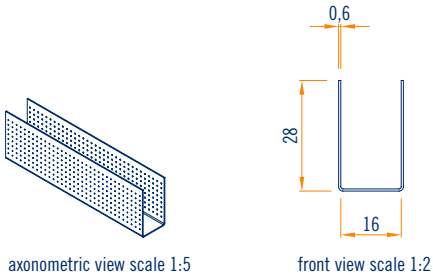
section A-A  
(1:10)

# U-TRACK 0.6 MM

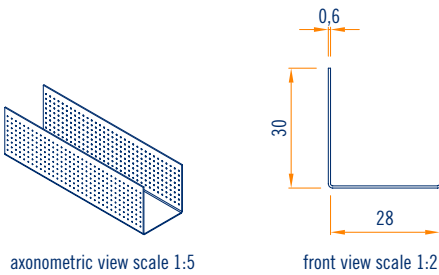
28/16/28 - 30/28/30



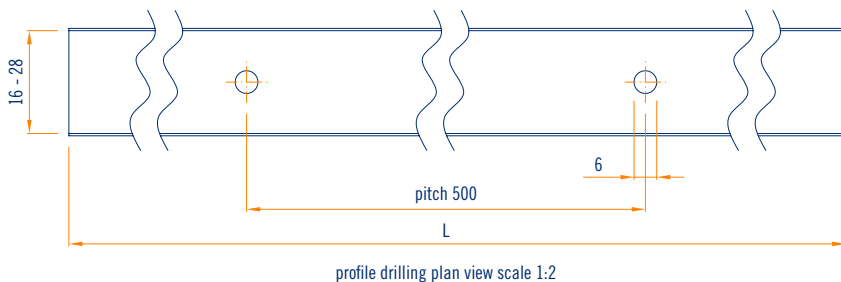
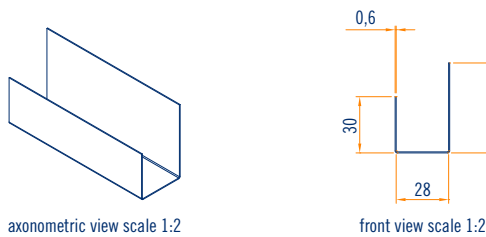
Item	Description	Dimension and thickness	Weight per pallet	MI per pkg.	Application	Sales unit
	U-track U/28/16/28	b 16 h 28 s 0.6			suspended ceiling (only perimeter U-track) double wall	160 total pieces 20 package with 8 pieces each
<b>PU16283000</b>	U/28/16/28/3000/0.6	l 3000	156.00	480.00		
<b>PU16284000</b>	U/28/16/28/4000/0.6	l 4000	208.00	640.00		



Item	Description	Dimension and thickness	Weight per pallet	MI per pkg.	Application	Sales unit
	U-track U/30/28/30	b 28 h 30 s 0.6			suspended ceiling (only perimeter U-track) double wall	300 total pieces 25 package with 12 pieces each
<b>PU28303000</b>	U/30/28/30/3000/0.6	l 3000	431.57	900.00		
<b>PU28304000</b>	U/30/28/30/4000/0.6	l 4000	575.43	1200.00		



Item	Description	Dimension and thickness	Weight per pallet	MI per pkg.	Application	Sales unit
	U-track U/48/28/30	b 28 h 48 s 0.6			suspended ceiling (only perimeter U-track) double wall	320 total pieces 20 package with 16 pieces each
<b>PU28483000</b>	U/30/28/48/3000/0.6	l 3000	480.00	960.00		

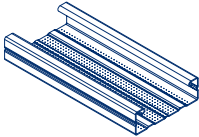


**C-STUD 0.6 MM**

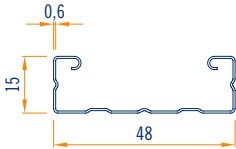
15/48/15 BA-BS - 27/48/27 BA-BS - 27/60/27 BI-BA



Item	Description	Dimension and thickness	Weight per pallet	MI per pkg.	Application	Sales unit
	C-stud with rounded edge C/15/48/15	b 48 h 15 s 0.6			suspended ceiling double wall	192 total pieces 24 package with 8 pieces each
<b>PC50153000BA</b>	C/15/48/15/3000/0.6	l 3000	255.06	576.00		
<b>PC50154000BA</b>	C/15/48/15/4000/0.6	l 4000	340.08	768.00		

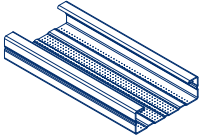


axonometric view scale 1:5

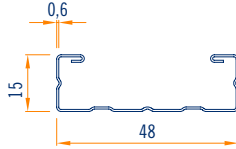


front view scale 1:2

Item	Description	Dimension and thickness	Weight per pallet	MI per pkg.	Application	Sales unit
	C-stud with flattened edge C/15/48/15	b 48 h 15 s 0.6			suspended ceiling double wall	192 total pieces 24 package with 8 pieces each
<b>PC50153000BS</b>	C/15/48/15/3000/0.6	l 3000	255.06	576.00		
<b>PC50154000BS</b>	C/15/48/15/4000/0.6	l 4000	340.08	768.00		

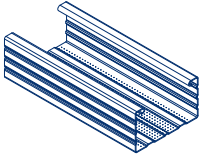


axonometric view scale 1:5

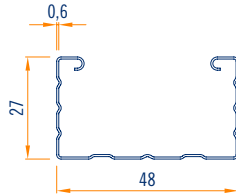


front view scale 1:2

Item	Description	Dimension and thickness	Weight per pallet	MI per pkg.	Application	Sales unit
	C-stud with rounded edge C/27/48/27	b 48 h 27 s 0.6			suspended ceiling double wall	120 total pieces 15 package with 8 pieces each
<b>PC50272800BA</b>	C/27/48/27/2800/0.6	l 2800	185.06	336.00		
<b>PC50273000BA</b>	C/27/48/27/3000/0.6	l 3000	198.29	360.00		
<b>PC50273500BA</b>	C/27/48/27/3500/0.6	l 3500	231.20	420.00		
<b>PC50274000BA</b>	C/27/48/27/4000/0.6	l 4000	264.38	480.00		
<b>PC50275000BA</b>	C/27/48/27/5000/0.6	l 5000	330.48	600.00		

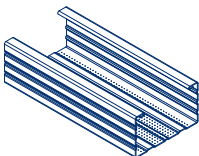


axonometric view scale 1:5

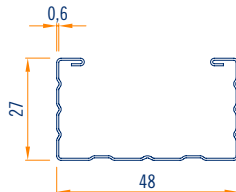


front view scale 1:2

Item	Description	Dimension and thickness	Weight per pallet	MI per pkg.	Application	Sales unit
	C-stud with flattened edge C/27/48/27	b 48 h 27 s 0.6			suspended ceiling double wall	120 total pieces 15 package with 8 pieces each
<b>PC50273000BS</b>	C/27/48/27/3000/0.6	l 3000	198.29	360.00		
<b>PC50273500BS</b>	C/27/48/27/3500/0.6	l 3500	231.20	420.00		
<b>PC50274000BS</b>	C/27/48/27/4000/0.6	l 4000	264.38	480.00		



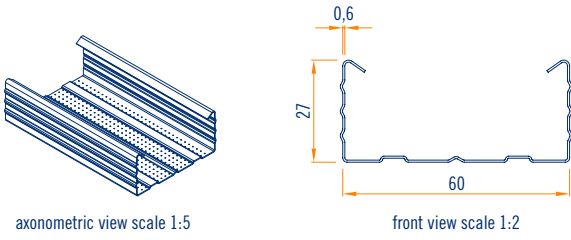
axonometric view scale 1:5



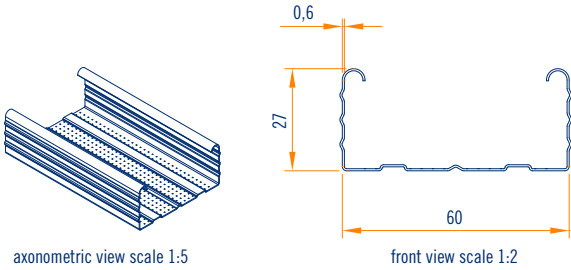
front view scale 1:2

# 188 FLASHLINE HARD

Item	Description	Dimension and thickness	Weight per pallet	MI per pkg.	Application	Sales unit
	C- stud with angled edge C/27/60/27	b 60 h 27 s 0.6			suspended ceiling double wall	120 total pieces 15 package with 8 pieces each
<b>PC60273000BI</b>	C/27/60/27/3000/0.6	l 3000	206.06	360.00		
<b>PC60274000BI</b>	C/27/60/27/4000/0.6	l 4000	274.75	480.00		



Item	Description	Dimension and thickness	Weight per pallet	MI per pkg.	Application	Sales unit
	C- stud C/27/60/27 rounded edge	b 60 h 27 s 0.6			suspended ceiling double wall	120 total pieces 15 package with 8 pieces each
<b>PC60273000BA</b>	C/27/60/27/3000/0.6	l 3000	206.06	360.00		
<b>PC60274000BA</b>	C/27/60/27/4000/0.6	l 4000	274.75	480.00		



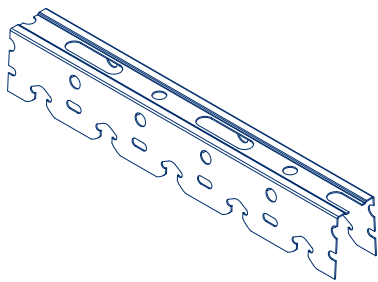


# CLICK-ON U-TRACK U 0.7 MM

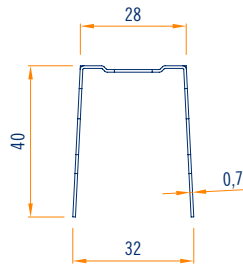
## 40/28/40 BA



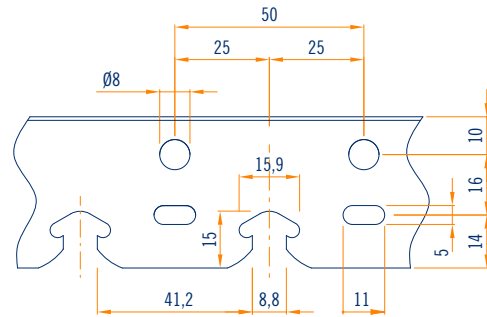
Item	Description	Dimension and thickness	Weight per pallet	MI per pkg.	Application	Sales unit
	click-on U-track U/40/28/40 with rounded edge	b 28 h 40 s 0.7			suspended ceiling double wall	120 total pieces 15 package with 8 pieces each
<b>PU28403000BA</b>	U/40/28/40/3000/0.7	l 3000	205.74	360.00		
<b>PU28404000BA</b>	U/40/28/40/4000/0.7	l 4000	273.60	480.00		



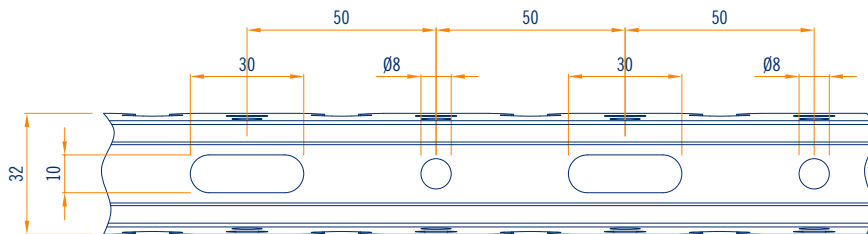
axonometric view scale 1:5



front view scale 1:2



profile drilling side view scale 1:2

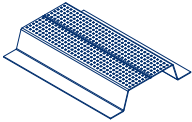


profile drilling plan view scale 1:2

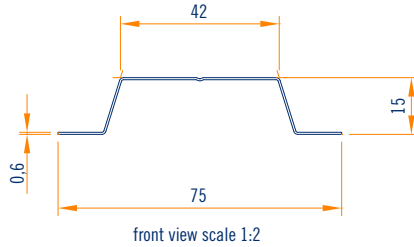
# W OMEGA PROFILE 0.6 MM



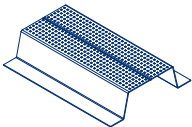
Item	Description	Dimension and thickness	Weight per pallet	MI per pkg.	Application	Sales unit
<b>PW42153000</b>	W omega profile	b 42 h 15 s 0.6	240.00	600.00	double wall	200 pcs total 20 package with 10 pieces each
	W/12/15/42/15/12/75 3000/0.6 - h 15	l 3000				



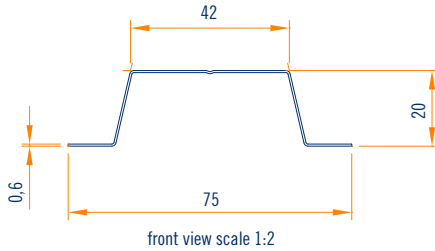
axonometric view scale 1:5



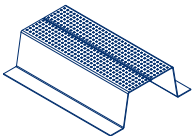
Item	Description	Dimension and thickness	Weight per pallet	MI per pkg.	Application	Sales unit
<b>PW42203000</b>	W omega profile	b 42 h 20 s 0.6	256.00	600.00	double wall	200 pcs total 20 package with 10 pieces each
	W/12/20/42/20/12/75 3000/0.6 - h 20	l 3000				



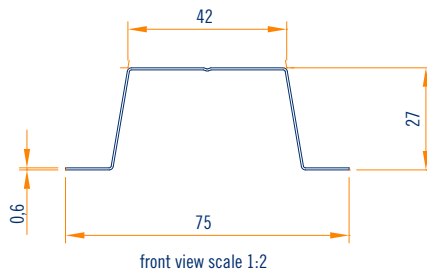
axonometric view scale 1:5



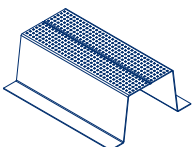
Item	Description	Dimension and thickness	Weight per pallet	MI per pkg.	Application	Sales unit
<b>PW42273000</b>	W omega profile	b 42 h 27 s 0.6	288.00	600.00	double wall	200 pcs total 20 package with 10 pieces each
	W/12/27/42/27/12/75 3000/0.6 - h 27	l 3000				



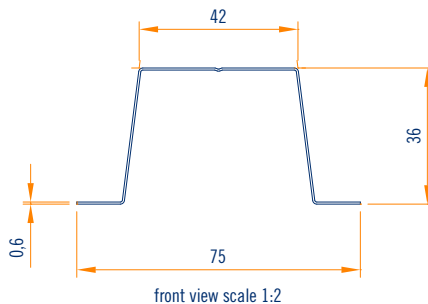
axonometric view scale 1:5



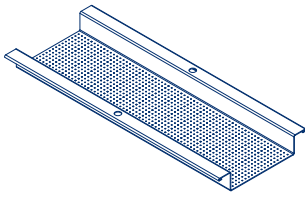
Item	Description	Dimension and thickness	Weight per pallet	MI per pkg.	Application	Sales unit
<b>PW42363000</b>	W omega profile	b 42 h 36 s 0.6	304.00	600.00	double wall	200 pcs total 20 package with 10 pieces each
	W/12/36/42/36/12/75 3000/0.6 - h 36	l 3000				



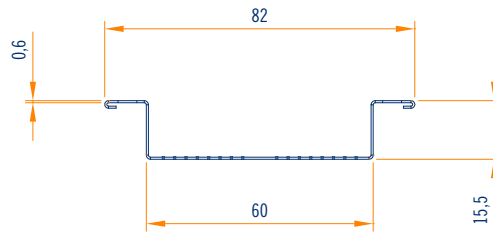
axonometric view scale 1:5



Item	Description	Dimension and thickness	Weight per pallet	MI per pkg.	Application	Sales unit
	W omega profile	b 60 h 15.5 s 0.6			double wall	300 pcs total 30 package with 10 pieces each
<b>PW60154000</b>	W/11/15.5/60/15.5/11/82 40000/0.6	l 4000	672.00	1200		

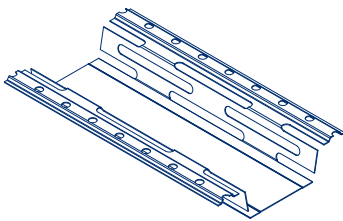


axonometric view scale 1:5

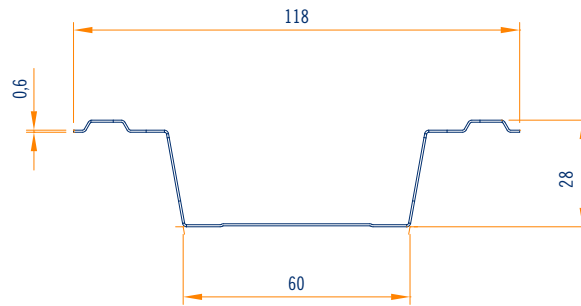


front view scale 1:2

Item	Description	Dimension and thickness	Weight per pallet	MI per pkg.	Application	Sales unit
	W omega profile	b 60 h 28 s 0.6			double wall	360 pcs total 36 package with 10 pieces each
<b>PW60284000</b>	W/25/28/60/28/25/118 4000/0.6	l 4000	993.60	1440		



axonometric view scale 1:5



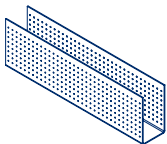
front view scale 1:2

## U-TRACK 0.6 MM

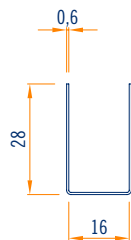
28/16/28 - 28/21/28 - 30/28/30 - 30/37/30



Item	Description	Dimension and thickness	Weight per pallet	MI per pkg.	Application	Sales unit
	U-track U/28/16/28 h 16	b 16 h 28 s 0.6			suspended ceiling (only perimeter U-track) double wall	160 pcs total 20 package with 8 pieces each
<b>PU16283000</b>	U/28/16/28/3000/0.6	l 3000	156.00	480.00		



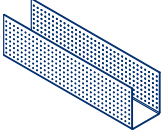
axonometric view scale 1:5



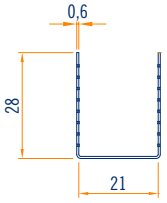
front view scale 1:2

# 192 FLASHLINE HARD

Item	Description	Dimension and thickness	Weight per pallet	MI per pkg.	Application	Sales unit
	U-track U/28/21/28 h 21	b 21 h 28 s 0.6			suspended ceiling (only perimeter U-track) double wall	240 pcs total 20 package with 12 pieces each
<b>PU21283000</b>	U/28/21/28/3000/0.6	l 3000	267.00	720.00		



axonometric view scale 1:5



front view scale 1:2

Item	Description	Dimension and thickness	Weight per pallet	MI per pkg.	Application	Sales unit
	U-track U/30/28/30 h 28	b 28 h 30 s 0.6			suspended ceiling (only perimeter U-track) double wall	300 pcs total 25 package with 12 pieces each
<b>PU28303000</b>	U/30/28/30/3000/0.6	l 3000	431.57	900.00		

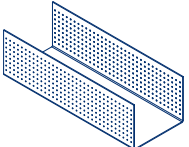


axonometric view scale 1:5

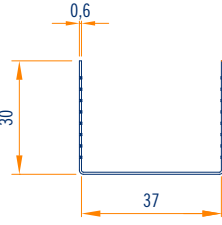


front view scale 1:2

Item	Description	Dimension and thickness	Weight per pallet	MI per pkg.	Application	Sales unit
	U-track U/30/37/30 h 37	b 37 h 30 s 0.6			suspended ceiling (only perimeter U-track) double wall	240 pcs total 20 package with 12 pieces each
<b>PU37303000</b>	U/30/37/30/3000/0.6	l 3000	318.00	720.00		



axonometric view scale 1:5



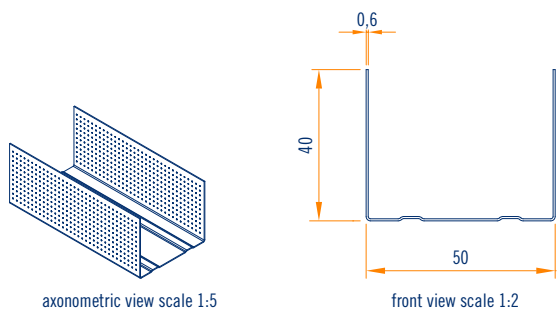
front view scale 1:2

## U-TRACK 0.6 MM

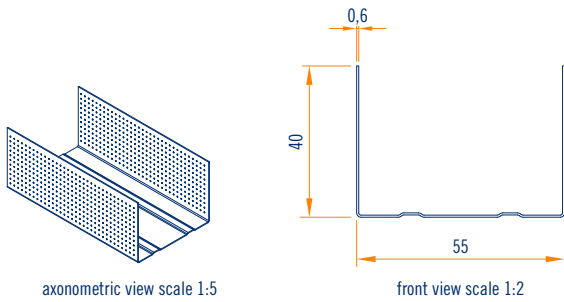
40/50/40 - 40/55/40 - 40/75/40 - 40/100/40 - 40/125/40 - 40/150/40



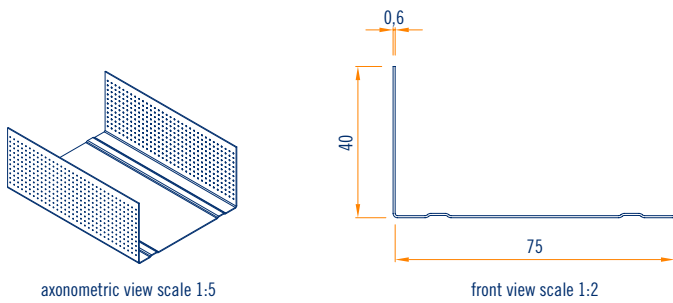
Item	Description	Dimension and thickness	Weight per pallet	MI per pkg.	Application	Sales unit
	U-track U/40/50/40	b 50 h 40 s 0.6			double wall dividing wall	120 total pieces 15 package with 8 pieces each
<b>PU50403000</b>	U/40/50/40/3000/0.6	l 3000	213.84	360.00		
<b>PU50404000</b>	U/40/50/40/4000/0.6	l 4000	285.12	480.00		



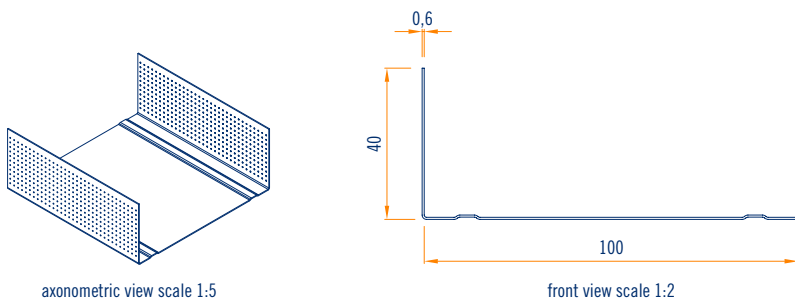
Item	Description	Dimension and thickness	Weight per pallet	MI per pkg.	Application	Sales unit
	U-track U/40/55/40	b 55 h 40 s 0.6			double wall dividing wall	120 total pieces 15 package with 8 pieces each
<b>PU55403000</b>	U/40/55/40/3000/0.6	l 3000	223.20	360.00		
<b>PU55404000</b>	U/40/55/40/4000/0.6	l 4000	297.60	480.00		



Item	Description	Dimension and thickness	Weight per pallet	MI per pkg.	Application	Sales unit
	U-track U/40/75/40	b 75 h 40 s 0.6			double wall dividing wall	120 total pieces 15 package with 8 pieces each
<b>PU75403000</b>	U/40/75/40/3000/0.6	l 3000	256.61	360.00		
<b>PU75404000</b>	U/40/75/40/4000/0.6	l 4000	342.14	480.00		

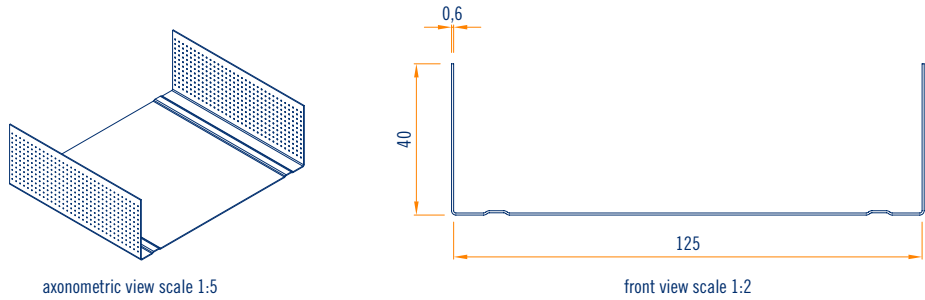


Item	Description	Dimension and thickness	Weight per pallet	MI per pkg.	Application	Sales unit
	U-track U/40/100/40	b 100 h 40 s 0.6			double wall dividing wall	120 total pieces 15 package with 8 pieces each
<b>PU100403000</b>	U/40/100/40/3000/0.6	l 3000	295.49	360.00		
<b>PU100404000</b>	U/40/100/40/4000/0.6	l 4000	393.98	480.00		

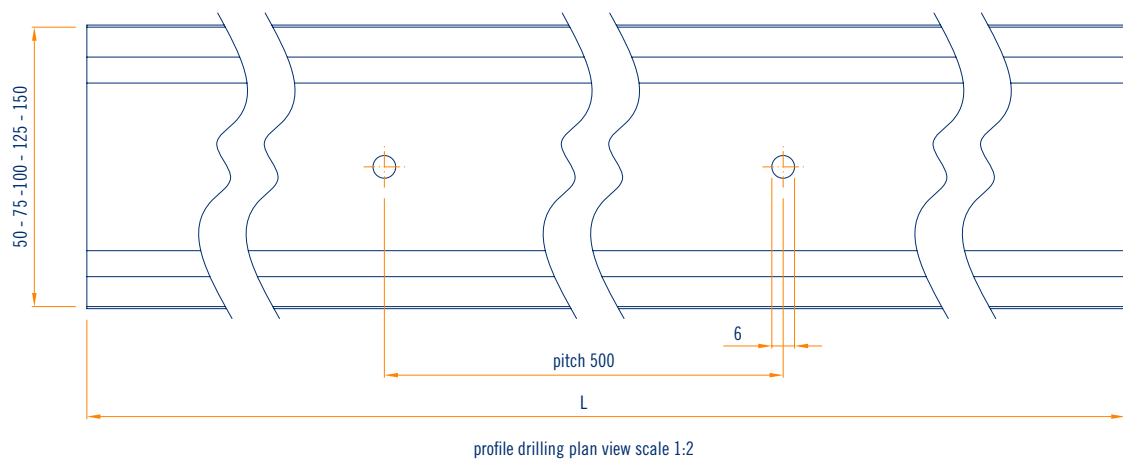
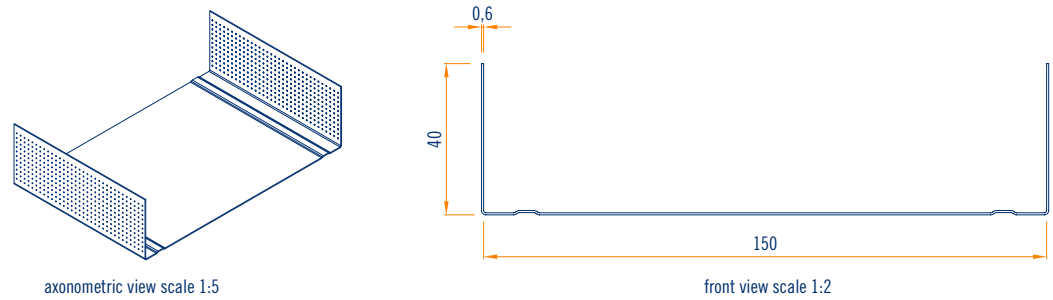


# 194 FLASHLINE HARD

Item	Description	Dimension and thickness	Weight per pallet	MI per pkg.	Application	Sales unit
	U-track U/40/125/40	b 125 h 40 s 0.6			double wall dividing wall	80 total pieces 20 package with 4 pieces each
<b>PU125403000</b>	U/40/125/40/3000/0.6	l 3000	228.00	240.00		
<b>PU125404000</b>	U/40/125/40/4000/0.6	l 4000	304.00	320.00		



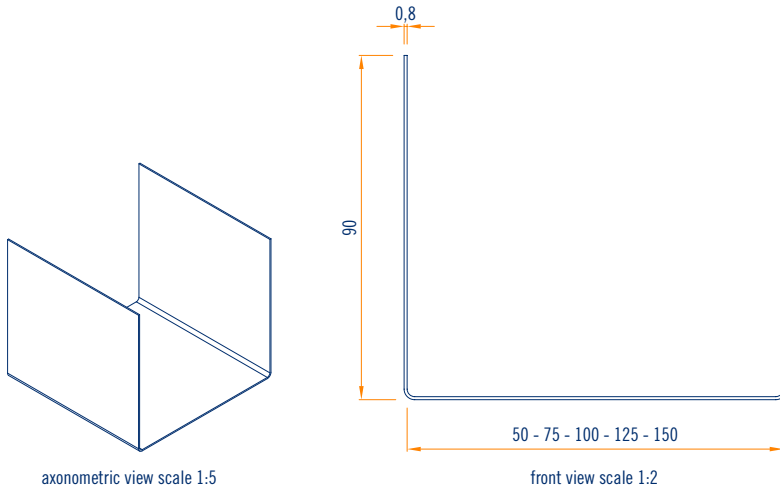
Item	Description	Dimension and thickness	Weight per pallet	MI per pkg.	Application	Sales unit
	U-track U/40/150/40	b 150 h 40 s 0.6			double wall dividing wall	80 total pieces 20 package with 4 pieces each
<b>PU150403000</b>	U/40/150/40/3000/0.6	l 3000	256.80	240.00		
<b>PU150404000</b>	U/40/150/40/4000/0.6	l 4000	342.40	320.00		



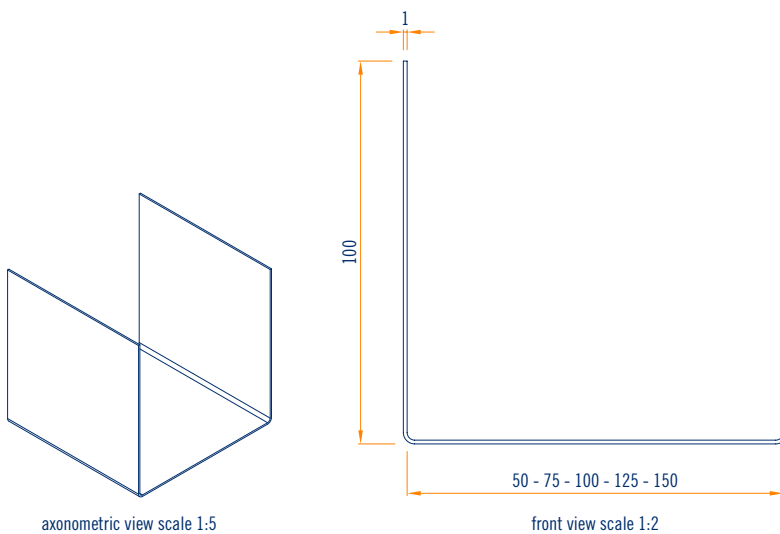
# U-TRACK 0.8-1 MM



Item	Description	Dimension and thickness	Weight per pallet	MI per pkg.	Application	Sales unit
	U-track H 90 S 0.8	b 50-75-100-125-150 h 90 s 0.8			double wall dividing wall	4 total pieces
<b>PU50903000.8</b>	U/90/50/90/3000/0.8	l 3000	15.12	12.00		
<b>PU75903000.8</b>	U/90/75/90/3000/0.8	l 3000	16.80	12.00		
<b>PU100903000.8</b>	U/90/100/90/3000/0.8	l 3000	18.48	12.00		
<b>PU125903000.8</b>	U/90/125/90/3000/0.8	l 3000	20.16	12.00		
<b>PU150903000.8</b>	U/90/150/90/3000/0.8	l 3000	21.72	12.00		



Item	Description	Dimension and thickness	Weight per pallet	MI per pkg.	Application	Sales unit
	U-track H 100 S 1	b 50-75-100-125-150 h 100 s 1			double wall dividing wall	4 total pieces
<b>PU501003000.1</b>	U/100/50/100/3000/1	l 3000	23.52	12.00		
<b>PU751003000.1</b>	U/100/75/100/3000/1	l 3000	25.92	12.00		
<b>PU1001003000.1</b>	U/100/100/100/3000/1	l 3000	28.32	12.00		
<b>PU1251003000.1</b>	U/100/125/100/3000/1	l 3000	30.60	12.00		
<b>PU1501003000.1</b>	U/100/150/100/3000/1	l 3000	33.00	12.00		



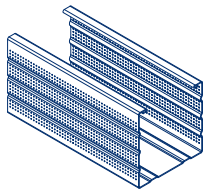
# C-STUD 0.6 MM

50/49/47 - 50/54/47 - 50/74/47 - 50/99/47 - 50/124/47 - 50/149/47

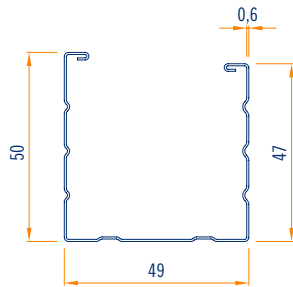


Item	Description	Dimension and thickness	Weight per pallet	MI per pkg.	Application	Sales unit
	C-stud C/50/49/47	b 49 h 50 s 0.6			double wall dividing wall	120 total pieces 15 package with 8 pieces each
<b>PC50502500</b>	C/50/49/47/2500/0.6	l 2500	223.56	300.00		
<b>PC50502700</b>	C/50/49/47/2700/0.6	l 2700	241.45	324.00		
<b>PC50502800</b>	C/50/49/47/2800/0.6	l 2800	250.39	336.00		
<b>PC50503000</b>	C/50/49/47/3000/0.6	l 3000	268.27	360.00		
<b>PC50503200</b>	C/50/49/47/3200/0.6	l 3200	286.16	384.00		
<b>PC50503500</b>	C/50/49/47/3500/0.6	l 3500	312.98	420.00		
<b>PC50504000</b>	C/50/49/47/4000/0.6	l 4000	357.70	480.00		
<b>PC50504500</b>	C/50/49/47/4500/0.6	l 4500	402.41	540.00		
<b>PC50505000</b>	C/50/49/47/5000/0.6	l 5000	447.12	600.00		
<b>PC50506000</b>	C/50/49/47/6000/0.6	l 6000	536.54	720.00		

other lengths upon request



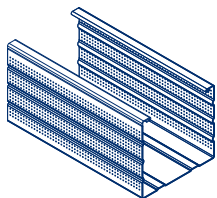
axonometric view scale 1:5



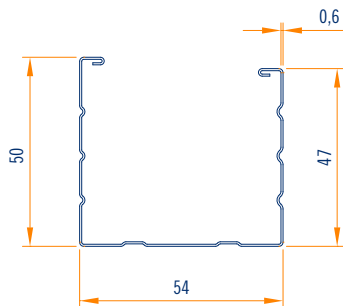
front view scale 1:2

Item	Description	Dimension and thickness	Weight per pallet	MI per pkg.	Application	Sales unit
	C-stud C/50/54/47	b 54 h 50 s 0.6			double wall dividing wall	120 total pieces 15 package with 8 pieces each
<b>PC55503000</b>	C/50/54/47/3000/0.6	l 3000	280.80	360.00		
<b>PC55504000</b>	C/50/54/47/4000/0.6	l 4000	374.40	480.00		

other lengths upon request



axonometric view scale 1:5

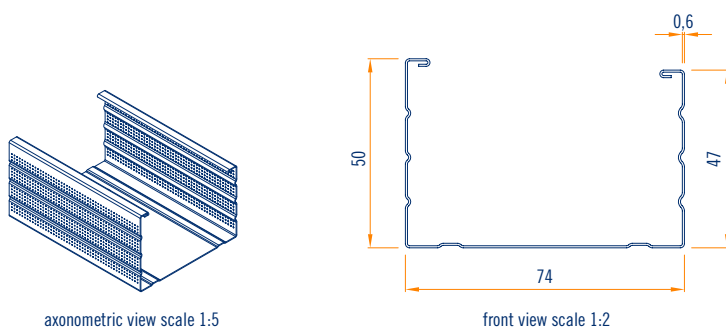


front view scale 1:2



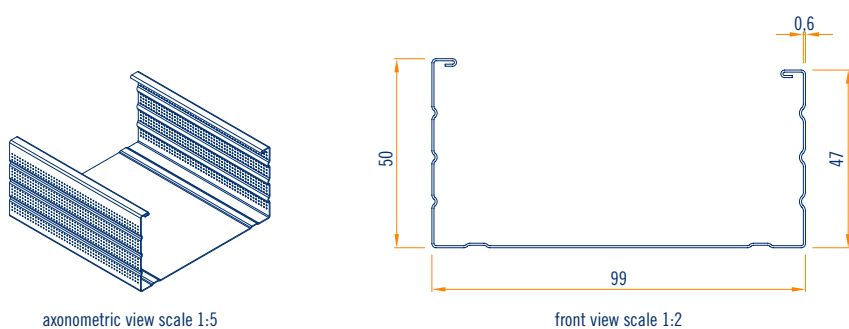
Item	Description	Dimension and thickness	Weight per pallet	MI per pkg.	Application	Sales unit
	C-stud C/50/74/47	b 74 h 50 s 0.6			double wall dividing wall	120 total pieces 15 package with 8 pieces each
<b>PC75502500</b>	C/50/74/47/2500/0.6	l 2500	259.20	300.00		
<b>PC75502700</b>	C/50/74/47/2700/0.6	l 2700	280.00	324.00		
<b>PC75502800</b>	C/50/74/47/2800/0.6	l 2800	290.30	336.00		
<b>PC75503000</b>	C/50/74/47/3000/0.6	l 3000	311.04	360.00		
<b>PC75503200</b>	C/50/74/47/3200/0.6	l 3200	362.88	384.00		
<b>PC75503500</b>	C/50/74/47/3500/0.6	l 3500	414.72	420.00		
<b>PC75504000</b>	C/50/74/47/4000/0.6	l 4000	466.56	480.00		
<b>PC75504500</b>	C/50/74/47/4500/0.6	l 4500	518.40	540.00		
<b>PC75505000</b>	C/50/74/47/5000/0.6	l 5000	570.24	600.00		
<b>PC75505500</b>	C/50/74/47/5500/0.6	l 5500	570.24	660.00		
<b>PC75506000</b>	C/50/74/47/6000/0.6	l 6000	622.08	720.00		

other lengths upon request



Item	Description	Dimension and thickness	Weight per pallet	MI per pkg.	Application	Sales unit
	C-stud C/50/99/47	b 99 h 50 s 0.6			double wall dividing wall	120 total pieces 15 package with 8 pieces each
<b>PC100502500</b>	C/50/99/47/2500/0.6	l 2500	294.00	300.00		
<b>PC100502800</b>	C/50/99/47/2800/0.6	l 2800	329.28	336.00		
<b>PC100503000</b>	C/50/99/47/3000/0.6	l 3000	353.81	360.00		
<b>PC100503200</b>	C/50/99/47/3200/0.6	l 3200	377.40	384.00		
<b>PC100503500</b>	C/50/99/47/3500/0.6	l 3500	411.60	420.00		
<b>PC100504000</b>	C/50/99/47/4000/0.6	l 4000	471.74	480.00		
<b>PC100504500</b>	C/50/99/47/4500/0.6	l 4500	529.30	540.00		
<b>PC100505000</b>	C/50/99/47/5000/0.6	l 5000	588.00	600.00		
<b>PC100505500</b>	C/50/99/47/5500/0.6	l 5500	646.80	660.00		
<b>PC100506000</b>	C/50/99/47/6000/0.6	l 6000	705.60	720.00		

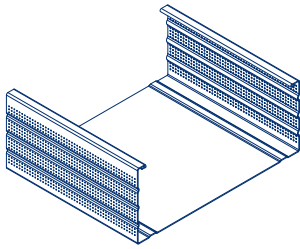
other lengths upon request



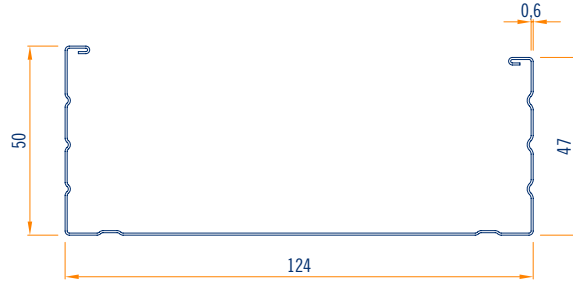
# 198 FLASHLINE HARD

Item	Description	Dimension and thickness	Weight per pallet	MI per pkg.	Application	Sales unit
	C-stud C/50/124/47	b 124 h 50 s 0.6			double wall dividing wall	80 total pieces 20 package with 4 pieces each
<b>PC125503000</b>	C/50/124/47/3000/0.6	l 3000	266.40	240.00		
<b>PC125504000</b>	C/50/124/47/4000/0.6	l 4000	355.20	320.00		
<b>PC125505000</b>	C/50/124/47/5000/0.6	l 5000	444.00	400.00		
<b>PC125506000</b>	C/50/124/47/6000/0.6	l 6000	532.80	480.00		

other lengths upon request



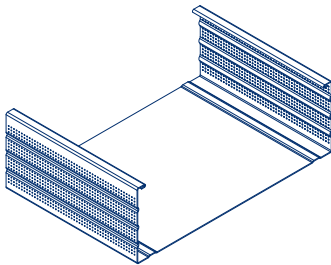
axonometric view scale 1:5



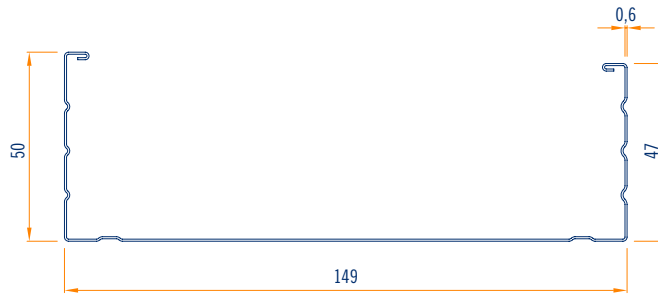
front view scale 1:2

Item	Description	Dimension and thickness	Weight per pallet	MI per pkg.	Application	Sales unit
	C-stud C/50/149/47	b 149 h 50 s 0.6			double wall dividing wall	80 total pieces 20 package with 4 pieces each
<b>PC150503000</b>	C/50/149/47/3000/0.6	l 3000	292.80	240.00		
<b>PC150504000</b>	C/50/149/47/4000/0.6	l 4000	390.40	320.00		
<b>PC150505000</b>	C/50/149/47/5000/0.6	l 5000	488.00	400.00		
<b>PC150506000</b>	C/50/149/47/6000/0.6	l 6000	585.60	480.00		

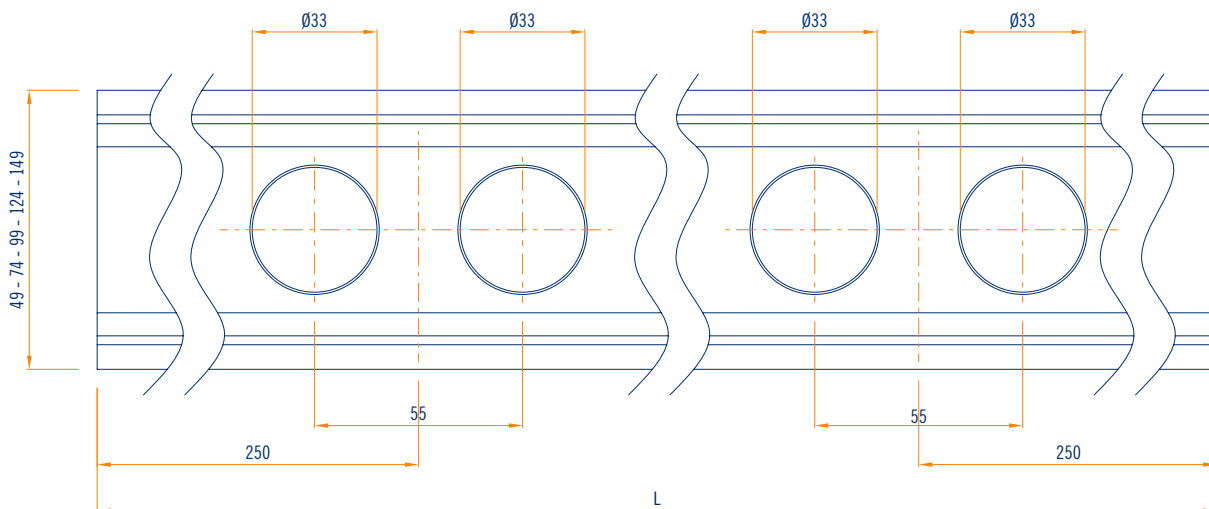
other lengths upon request



axonometric view scale 1:5



front view scale 1:2



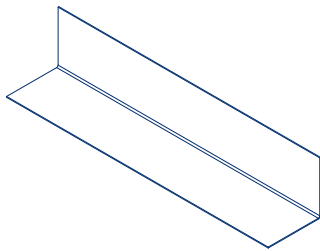
profile drilling plan view scale 1:2

## L ANGLE 0.6 MM

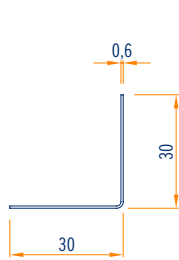
### 30/30 - 40/40 - 50/50



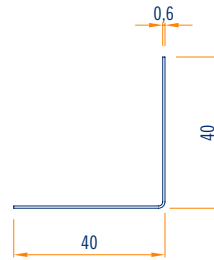
Item	Description	Dimension and thickness	Weight per pallet	MI per pkg.	Application	Sales unit
<b>PL30303000</b>	L angle 30/30 L/30/30/3000/0.6	b 30 h 30 s 0.6 l 3000	8.40	30.00	double wall dividing wall	10 total pieces
<b>PL40403000</b>	L angle 30/30 L/40/40/3000/0.6	b 40 h 40 s 0.6 l 3000	11.10	30.00	double wall dividing wall	10 total pieces
<b>PL50503000</b>	L angle 30/30 L/50/50/3000/0.6	b 50 h 50 s 0.6 l 3000	14.40	30.00	double wall dividing wall	10 total pieces



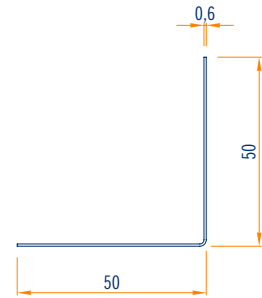
axonometric view scale 1:5



front view scale 1:2



front view scale 1:2



front view scale 1:2

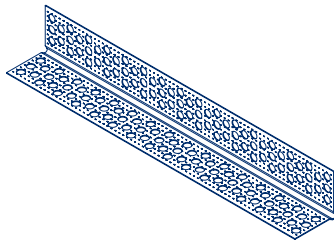
## 90° CORNER BEAD

### L/30/30

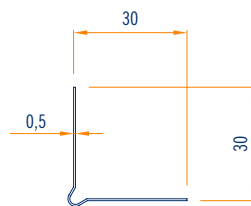


Item	Description	Dimension and thickness	Weight per pallet	MI per pkg.	Application	Sales unit
<b>PF3030.90</b>	90° corner bead L/30/30	b 30 h 30 s 0.5			suspended ceiling double wall dividing wall	500 pcs total 50 package with 10 pieces each

other lengths upon request



axonometric view scale 1:5



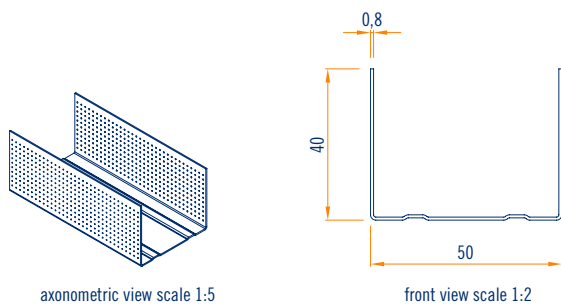
front view scale 1:2

**U-TRACK 0.8 MM**

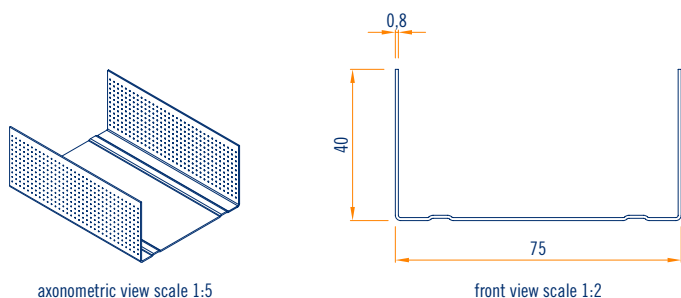
40/50/40 - 40/75/40 - 40/100/40 - 40/125/40 - 40/150/40



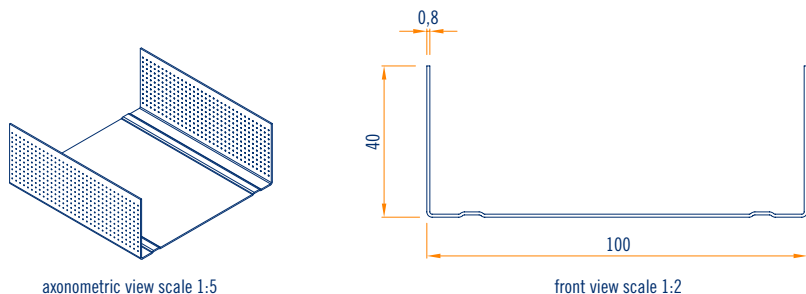
Item	Description	Dimension and thickness	Weight per pallet	MI per pkg.	Application	Sales unit
	U-track U/40/50/40	b 50 h 40 s 0.8			double wall dividing wall	15 package with 8 pieces each
<b>PU50403000.8</b>	U/40/50/40/3000/0.8	l 3000	288.00	360.00		
<b>PU50404000.8</b>	U/40/50/40/4000/0.8	l 4000	384.00	480.00		



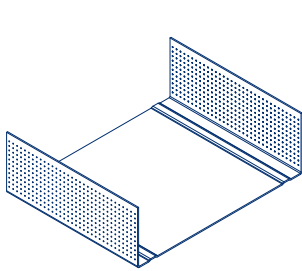
Item	Description	Dimension and thickness	Weight per pallet	MI per pkg.	Application	Sales unit
	U-track U/40/75/40	b 75 h 40 s 0.8			double wall dividing wall	120 total pieces 15 package with 8 pieces each
<b>PU75403000.8</b>	U/40/75/40/3000/0.8	l 3000	342.00	360.00		
<b>PU75404000.8</b>	U/40/75/40/4000/0.8	l 4000	456.00	480.00		



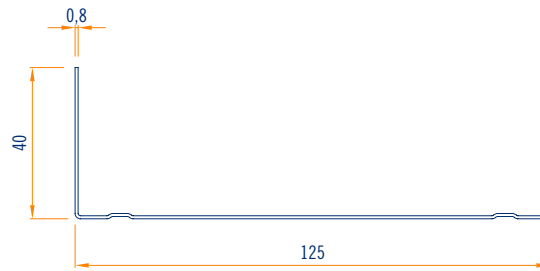
Item	Description	Dimension and thickness	Weight per pallet	MI per pkg.	Application	Sales unit
	U-track U/40/100/40	b 100 h 40 s 0.8			double wall dividing wall	120 total pieces 15 package with 8 pieces each
<b>PU100403000.8</b>	U/40/100/40/3000/0.8	l 3000	399.60	360.00		
<b>PU100404000.8</b>	U/40/100/40/4000/0.8	l 4000	532.80	480.00		



Item	Description	Dimension and thickness	Weight per pallet	MI per pkg.	Application	Sales unit
	U-track U/40/125/40	b 125 h 40 s 0.8			double wall dividing wall	80 total pieces 20 package with 4 pieces each
<b>PU125403000.8</b>	U/40/125/40/3000/0.8	I 3000	304.80	240.00		
<b>PU125404000.8</b>	U/40/125/40/4000/0.8	I 4000	406.40	320.00		

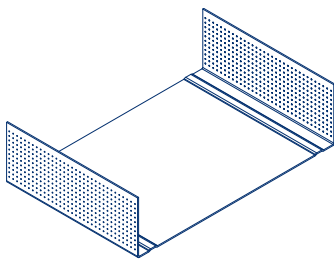


axonometric view scale 1:5

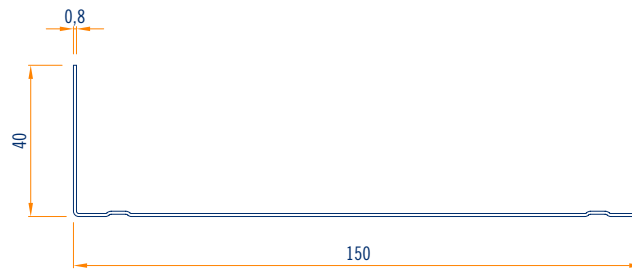


front view scale 1:2

Item	Description	Dimension and thickness	Weight per pallet	MI per pkg.	Application	Sales unit
	U-track U/40/150/40	b 150 h 40 s 0.8			double wall dividing wall	80 total pieces 20 package with 4 pieces each
<b>PU150403000.8</b>	U/40/150/40/3000/0.8	I 3000	343.20	240.00		
<b>PU150404000.8</b>	U/40/150/40/4000/0.8	I 4000	457.60	320.00		



axonometric view scale 1:5



front view scale 1:2

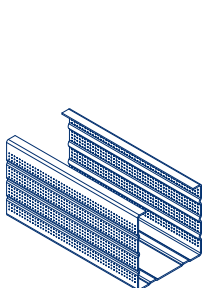
## C-STUD 0.8 MM

50/49/47 - 50/74/47 - 50/99/47 - 50/124/47 - 50/149/47

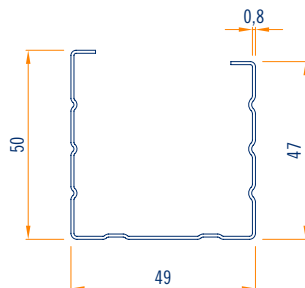


Item	Description	Dimension and thickness	Weight per pallet	MI per pkg.	Application	Sales unit
	C-stud C/50/49/47	b 49 h 50 s 0.8			double wall dividing wall	120 total pieces 15 package with 8 pieces each
<b>PC50503000.8</b>	C/50/49/47/3000/0.8	I 3000	345.60	360.00		
<b>PC50504000.8</b>	C/50/49/47/4000/0.8	I 4000	460.80	480.00		

other lengths upon request



axonometric view scale 1:5

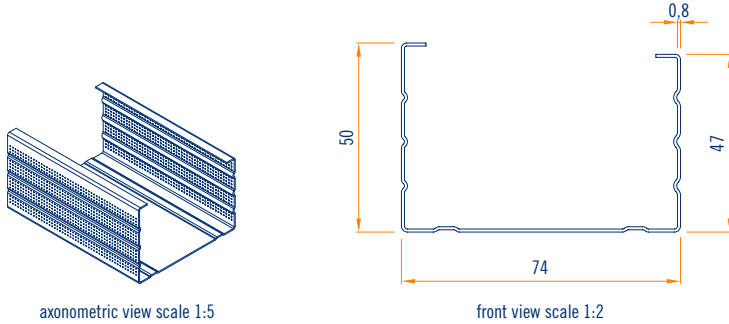


front view scale 1:2

## 202 FLASHLINE HARD

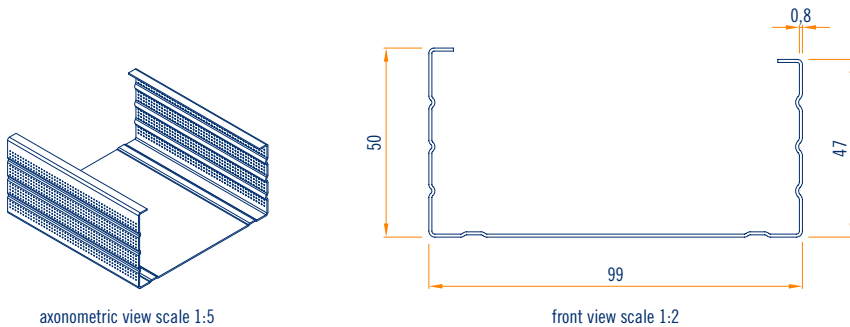
Item	Description	Dimension and thickness	Weight per pallet	MI per pkg.	Application	Sales unit
	C-stud C/50/74/47	b 74 h 50 s 0.8			double wall dividing wall	120 total pieces 15 package with 8 pieces each
<b>PC75503000.8</b>	C/50/74/47/3000/0.8	l 3000	403.20	360.00		
<b>PC75504000.8</b>	C/50/74/47/4000/0.8	l 4000	537.60	480.00		

other lengths upon request



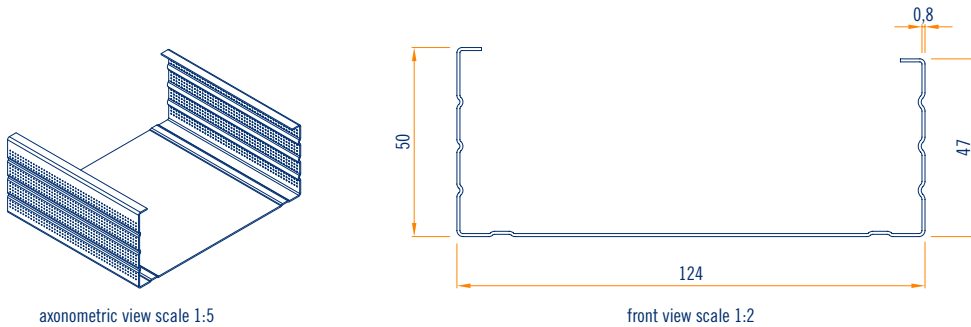
Item	Description	Dimension and thickness	Weight per pallet	MI per pkg.	Application	Sales unit
	C-stud C/50/99/47	b 99 h 50 s 0.8			double wall dividing wall	120 total pieces 15 package with 8 pieces each
<b>PC100503000.8</b>	C/50/99/47/3000/0.8	l 3000	457.20	360.00		
<b>PC100504000.8</b>	C/50/99/47/4000/0.8	l 4000	609.60	480.00		

other lengths upon request



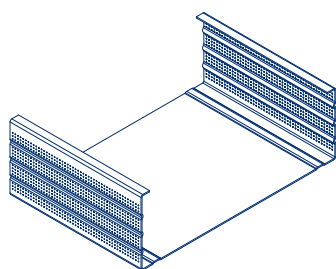
Item	Description	Dimension and thickness	Weight per pallet	MI per pkg.	Application	Sales unit
	C-stud C/50/124/47	b 124 h 50 s 0.8			double wall dividing wall	80 total pieces 20 package with 4 pieces each
<b>PC125503000.8</b>	C/50/124/47/3000/0.8	l 3000	343.20	240.00		
<b>PC125504000.8</b>	C/50/124/47/4000/0.8	l 4000	457.60	320.00		

other lengths upon request

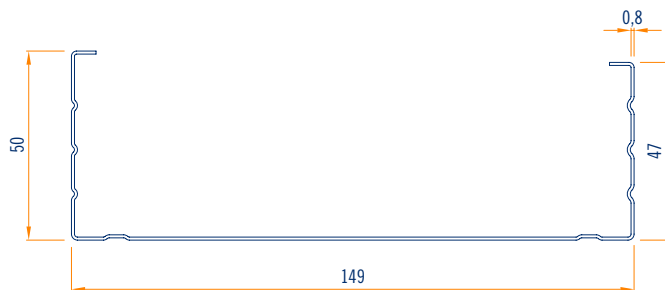


Item	Description	Dimension and thickness	Weight per pallet	MI per pkg.	Application	Sales unit
	C-stud C/50/149/47	b 149 h 50 s 0.8			double wall dividing wall	80 total pieces 20 package with 4 pieces each
<b>PC150503000.8</b>	C/50/149/47/3000/0.8	l 3000	381.60	240.00		
<b>PC150504000.8</b>	C/50/149/47/4000/0.8	l 4000	508.80	320.00		

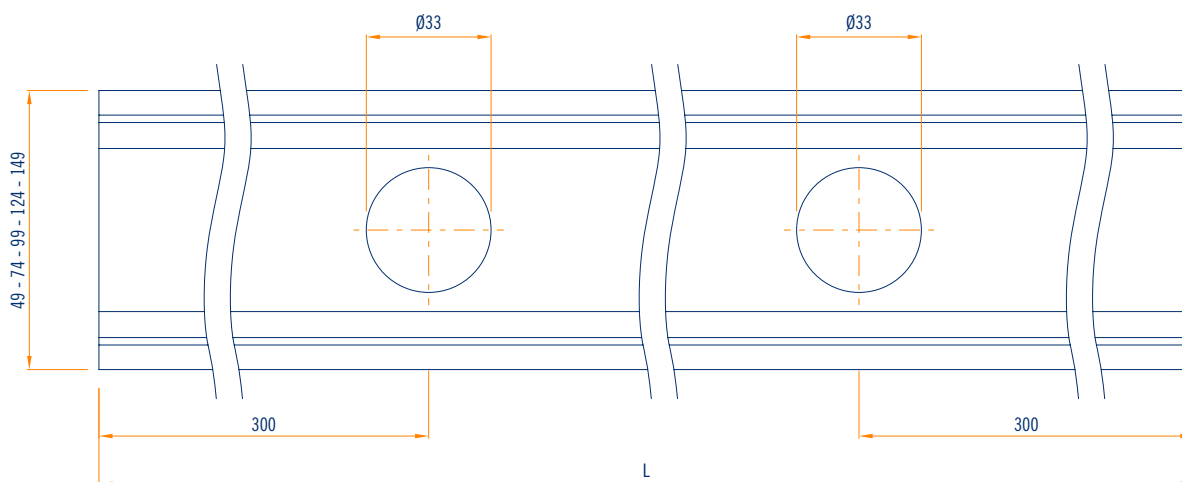
other lengths upon request



axonometric view scale 1:5



front view scale 1:2



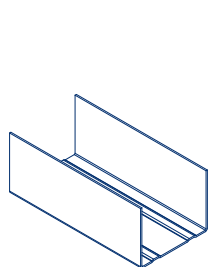
profile drilling plan view scale 1:2

## U-TRACK 1 MM

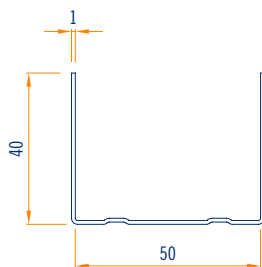
40/50/40 - 40/75/40 - 40/100/40 - 40/125/40 - 40/150/40



Item	Description	Dimension and thickness	Weight per pallet	MI per pkg.	Application	Sales unit
	U-track U/40/50/40	b 50 h 40 s 1			double wall dividing wall	120 total pieces 15 package with 8 pieces each
<b>PU50403000.1</b>	U/40/50/40/3000/1	l 3000	387.24	360.00		
<b>PU50404000.1</b>	U/40/50/40/4000/1	l 4000	516.33	480.00		



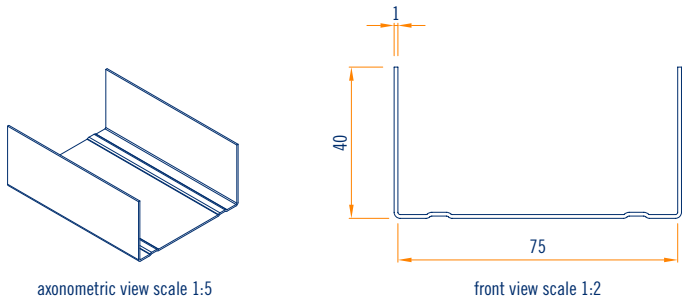
axonometric view scale 1:5



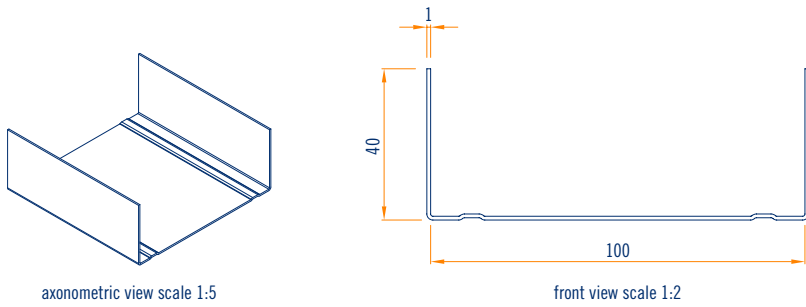
front view scale 1:2

## 204 FLASHLINE HARD

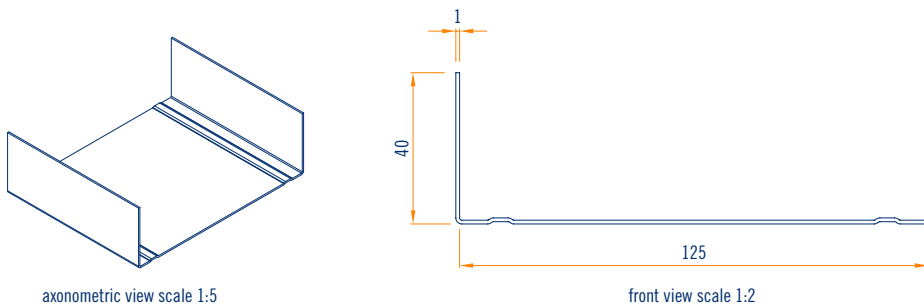
Item	Description	Dimension and thickness	Weight per pallet	MI per pkg.	Application	Sales unit
	U-track U/40/75/40	b 75 h 40 s 1			double wall dividing wall	120 total pieces 15 package with 8 pieces each
<b>PU75403000.1</b>	U/40/75/40/3000/1	l 3000	462.67	360.00		
<b>PU75404000.1</b>	U/40/75/40/4000/1	l 4000	616.89	480.00		



Item	Description	Dimension and thickness	Weight per pallet	MI per pkg.	Application	Sales unit
	U-track U/40/100/40	b 100 h 40 s 1			double wall dividing wall	120 total pieces 15 package with 8 pieces each
<b>PU100403000.1</b>	U/40/100/40/3000/1	l 3000	540.43	360.00		
<b>PU100404000.1</b>	U/40/100/40/4000/1	l 4000	720.58	480.00		

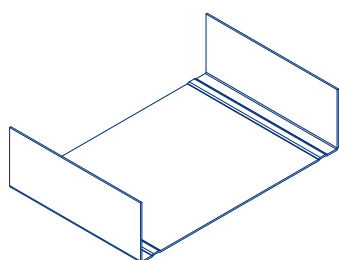


Item	Description	Dimension and thickness	Weight per pallet	MI per pkg.	Application	Sales unit
	U-track U/40/125/40	b 125 h 40 s 1			double wall dividing wall	80 total pieces 20 package with 4 pieces each
<b>PU125403000.1</b>	U/40/125/40/3000/1	l 3000	410.83	240.00		
<b>PU125404000.1</b>	U/40/125/40/4000/1	l 4000	548.12	320.00		

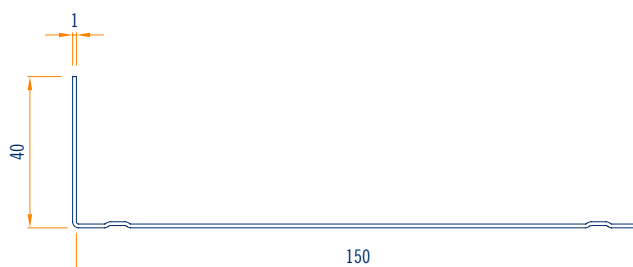




Item	Description	Dimension and thickness	Weight per pallet	MI per pkg.	Application	Sales unit
	U-track U/40/150/40	b 150 h 40 s 1			double wall dividing wall	80 total pieces 20 package with 4 pieces each
<b>PU150403000.1</b>	U/40/150/40/3000/1	l 3000	410.83	240.00		
<b>PU150404000.1</b>	U/40/150/40/4000/1	l 4000	615.86	320.00		



axonometric view scale 1:5



front view scale 1:2

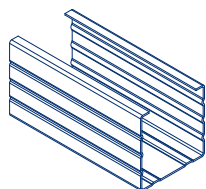
## C-STUD 1 MM

50/49/47 - 50/74/47 - 50/99/47 - 50/124/47 - 50/149/47

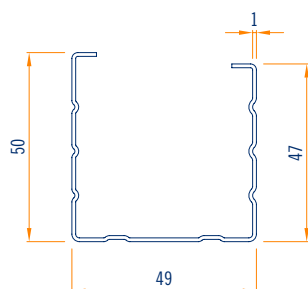


Item	Description	Dimension and thickness	Weight per pallet	MI per pkg.	Application	Sales unit
	C-stud C/50/49/47	b 49 h 50 s 1			double wall dividing wall	120 total pieces 15 package with 8 pieces each
<b>PC50503000.1</b>	C/50/49/47/3000/1	l 3000	466.56	360.00		
<b>PC50504000.1</b>	C/50/49/47/4000/1	l 4000	622.10	480.00		

other lengths upon request



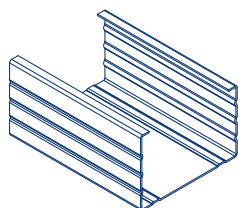
axonometric view scale 1:5



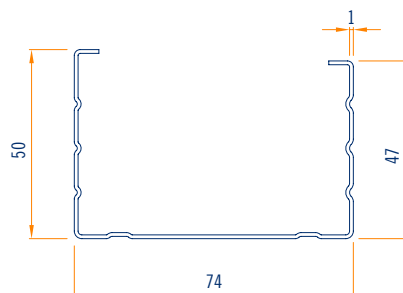
front view scale 1:2

Item	Description	Dimension and thickness	Weight per pallet	MI per pkg.	Application	Sales unit
	C-stud C/50/74/47	b 74 h 50 s 1			double wall dividing wall	120 total pieces 15 package with 8 pieces each
<b>PC75503000.1</b>	C/50/74/47/3000/1	l 3000	543.15	360.00		
<b>PC75504000.1</b>	C/50/74/47/4000/1	l 4000	724.20	480.00		

other lengths upon request



axonometric view scale 1:5

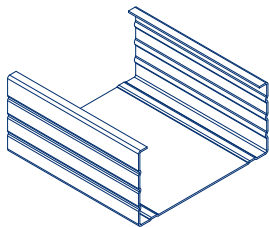


front view scale 1:2

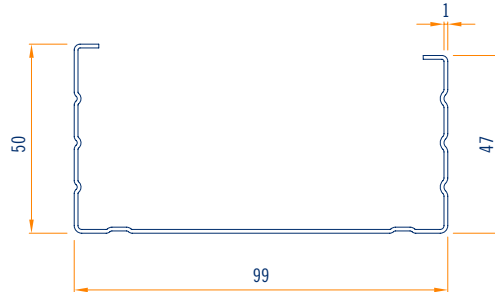
## 206 FLASHLINE HARD

Item	Description	Dimension and thickness	Weight per pallet	MI per pkg.	Application	Sales unit
	C-stud C/50/99/47	b 99 h 50 s 1			double wall dividing wall	120 total pieces 15 package with 8 pieces each
<b>PC100503000.1</b>	C/50/99/47/3000/1	l 3000	619.74	360.00		
<b>PC100504000.1</b>	C/50/99/47/4000/1	l 4000	825.81	480.00		

other lengths upon request



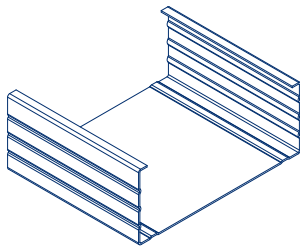
axonometric view scale 1:5



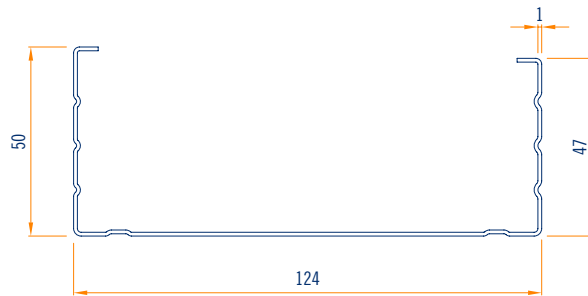
front view scale 1:2

Item	Description	Dimension and thickness	Weight per pallet	MI per pkg.	Application	Sales unit
	C-stud C/50/124/47	b 124 h 50 s 1			double wall dividing wall	80 total pieces 20 package with 4 pieces each
<b>PC125503000.1</b>	C/50/124/47/3000/1	l 3000	463.97	240.00		
<b>PC125504000.1</b>	C/50/124/47/4000/1	l 4000	618.28	320.00		

other lengths upon request



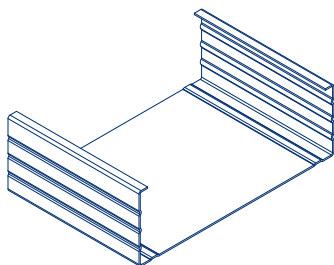
axonometric view scale 1:5



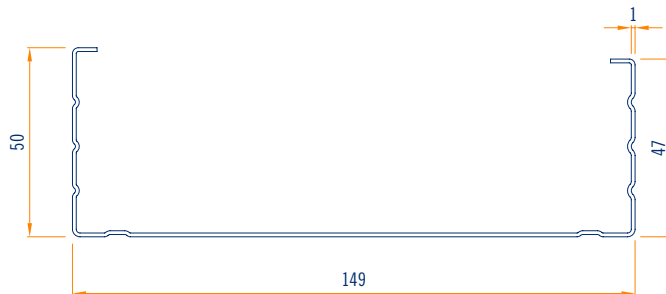
front view scale 1:2

Item	Description	Dimension and thickness	Weight per pallet	MI per pkg.	Application	Sales unit
	C-stud C/50/149/47	b 149 h 50 s 1			double wall dividing wall	80 total pieces 20 package with 4 pieces each
<b>PC150503000.1</b>	C/50/149/47/3000/1	l 3000	514.77	240.00		
<b>PC150504000.1</b>	C/50/149/47/4000/1	l 4000	686.36	320.00		

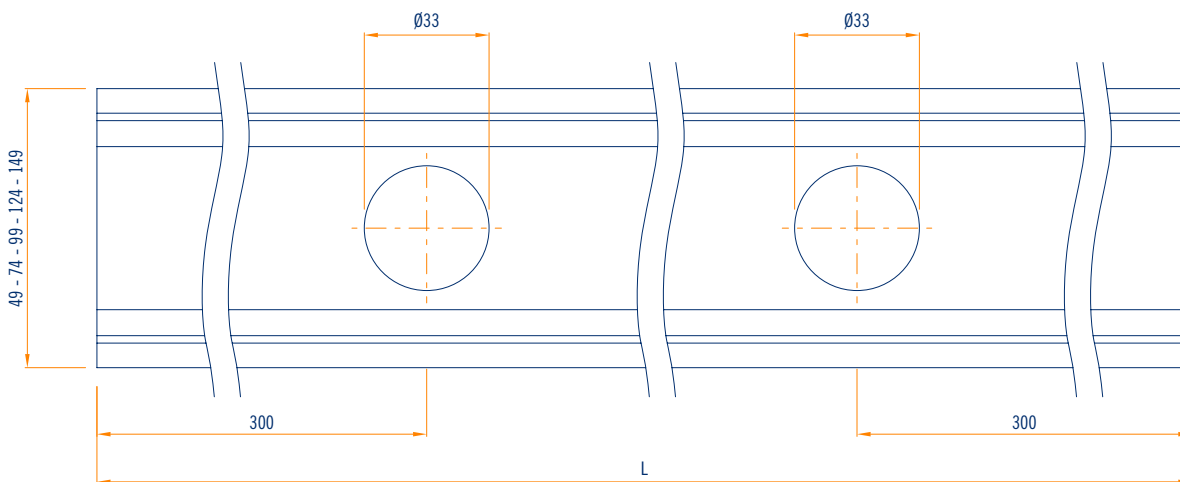
other lengths upon request



axonometric view scale 1:5



front view scale 1:2



profile drilling plan view scale 1:2

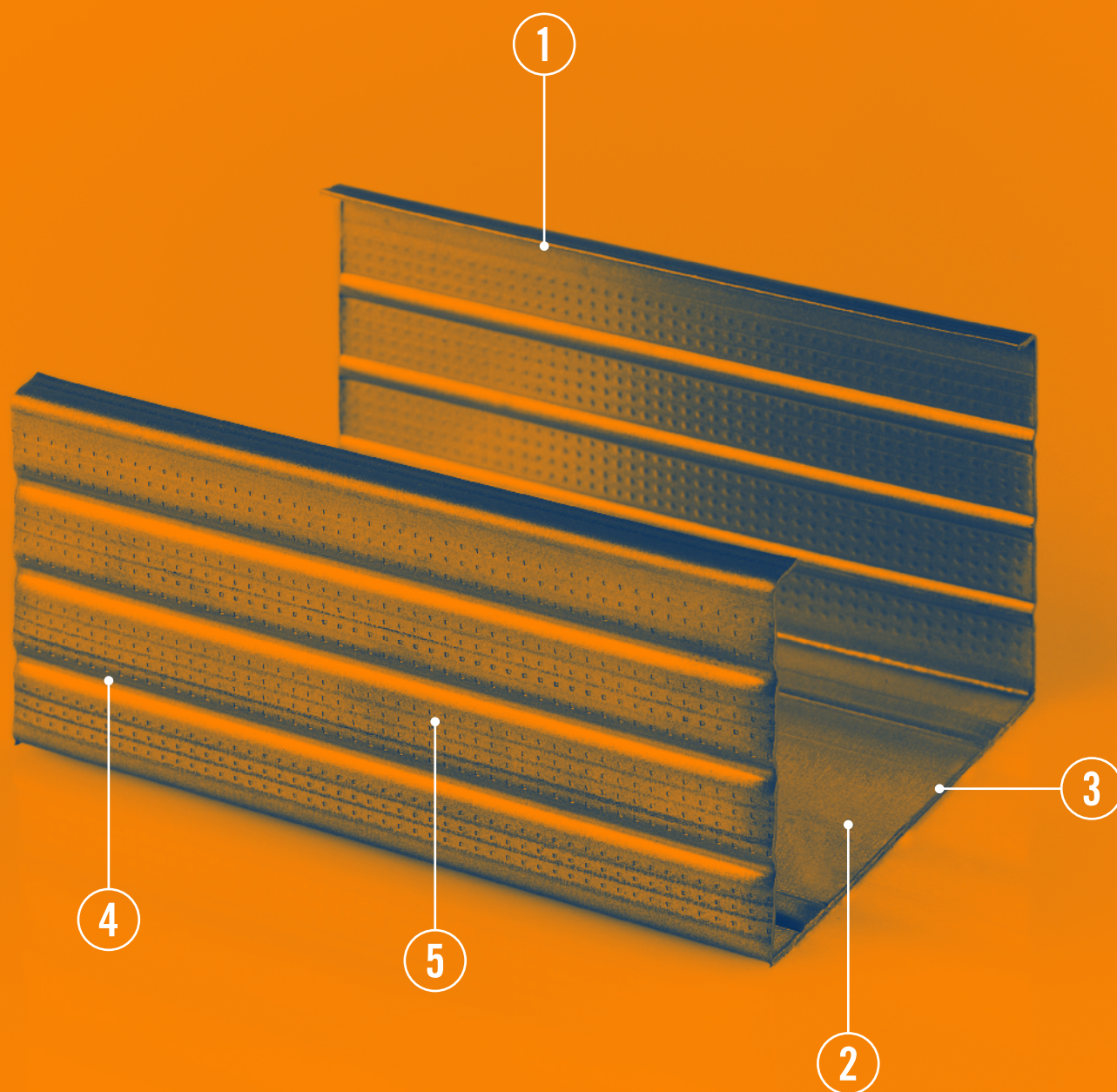
---

# STEEL FLASHLINE PROFILES FLASHLINE HARD ZINC-MAGNESIUM



METALSTAMPI

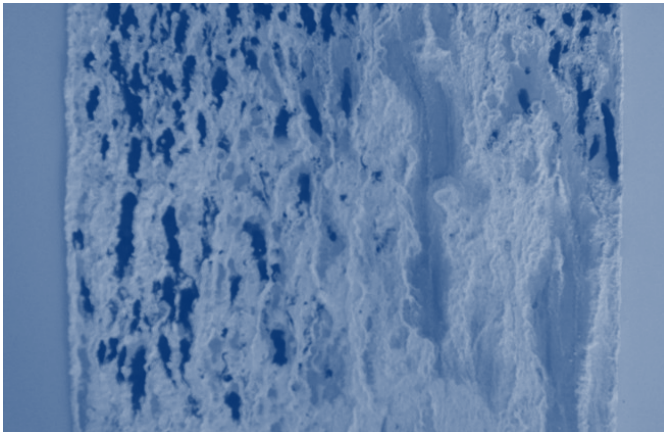
# STEEL PROFILES FLASHLINE HARD ZINC-MAGNESIUM



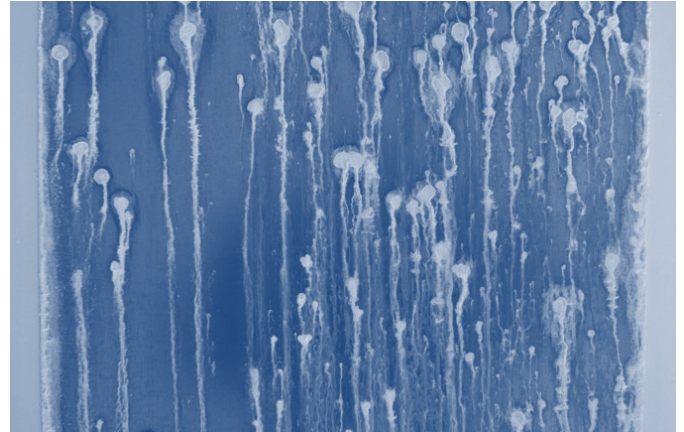
## STRENGTHS

- 1— Product CE marked, in compliance with European standard EN 14195 (quality of raw materials type DX51D+Z100 MAC), and EN 13964 (mechanical resistance to deflection in ceiling applications).
- 2— Use of steel with high corrosion resistance zinc-magnesium surface coating (on average 4 times more than the standard of equal coverage) obtained by particular production procedures with added magnesium.
- 3— Self-cicatrising power of zinc-coated steel in the cutting and drilling areas of the screws.
- 4— Pronounced longitudinal ribbing provides a more rigid structure (improving mechanical performance).
- 5— Surfaces to be fastened are milled for texture (to facilitate perforation by screws).
- 6— Wide selection of products for 0.6 - 0.8 - 1 mm thicknesses.

## PRODUCT FEATURES



Salt spray test 500 hours standard zinc uncovered edges



Salt spray test 500 hours standard zinc-magnesium uncovered edges

### Comparison between products and relative resistance in salt spray

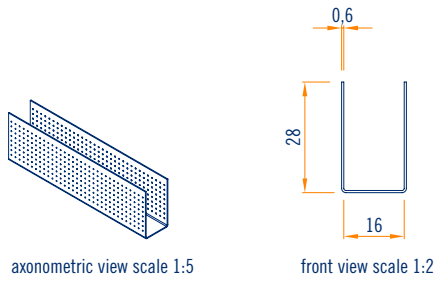
product	thickness of covering		hours of resistance in salt spray necessary for reaching the red rust	absolute resistance in ore/ $\mu\text{m}$ of covering	hardness of coating against scratching in HV
	g/mq	$\mu\text{m}$			
<b>standard zinc</b>	Z 140	10	180	18	70
<b>zinc-magnesium</b>	ZM 120	8	720	90	140-170

# U-TRACK 0.6 MM

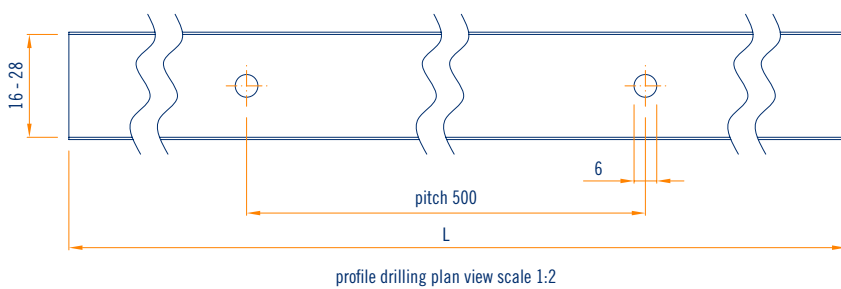
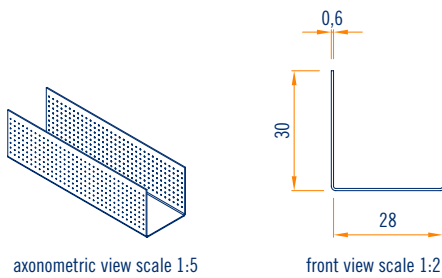
28/16/28 - 30/28/30



Item	Description	Dimension and thickness	Weight per pallet	MI per pkg.	Application	Sales unit
	U-track U/28/16/28 zinc-magnesium	b 16 h 28 s 0.6			suspended ceiling (only perimeter U-track) double wall	160 total pieces 20 package with 8 pieces each
<b>PU16283000ZM</b>	U/28/16/28/3000/0.6	l 3000	156.00	480.00		
<b>PU16284000ZM</b>	U/28/16/28/4000/0.6	l 4000	208.00	640.00		



Item	Description	Dimension and thickness	Weight per pallet	MI per pkg.	Application	Sales unit
	U-track U/30/28/30 zinc-magnesium	b 28 h 30 s 0.6			suspended ceiling (only perimeter U-track) double wall	300 total pieces 25 package with 12 pieces each
<b>PU28303000ZM</b>	U/30/28/30/3000/0.6	l 3000	431.57	900.00		
<b>PU28304000ZM</b>	U/30/28/30/4000/0.6	l 4000	575.43	1200.00		

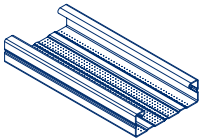




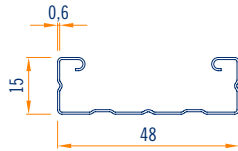
## C-STUD 0.6 MM

15/48/15 BA-BS - 27/48/27 BA-BS - 27/60/27 BI

Item	Description	Dimension and thickness	Weight per pallet	MI per pkg.	Application	Sales unit
	C-stud/15/48/15 rounded edge zinc-magnesium	b 48 h 15 s 0.6			suspended ceiling double wall	192 total pieces 24 package with 8 pieces each
<b>PC50153000BAZM</b>	C/15/48/15/3000/0.6	l 3000	255.06	576.00		
<b>PC50154000BAZM</b>	C/15/48/15/4000/0.6	l 4000	340.08	768.00		

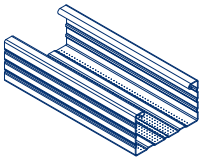


axonometric view scale 1:5

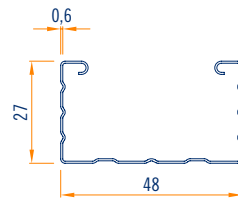


front view scale 1:2

Item	Description	Dimension and thickness	Weight per pallet	MI per pkg.	Application	Sales unit
	C-stud C/27/48/27 rounded edge zinc-magnesium	b 48 h 27 s 0.6			suspended ceiling double wall	120 total pieces 15 package with 8 pieces each
<b>PC50273000BAZM</b>	C/27/48/27/3000/0.6	l 3000	198.29	360.00		
<b>PC50274000BAZM</b>	C/27/48/27/4000/0.6	l 4000	264.38	480.00		

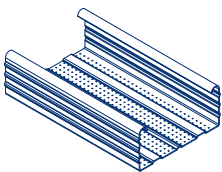


axonometric view scale 1:5

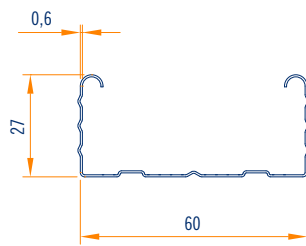


front view scale 1:2

Item	Description	Dimension and thickness	Weight per pallet	MI per pkg.	Application	Sales unit
	C-stud C/27/60/27 rounded edge zinc-magnesium	b 60 h 27 s 0.6			suspended ceiling double wall	120 total pieces 15 package with 8 pieces each
<b>PC60273000BAZM</b>	C/27/60/27/3000/0.6	l 3000	206.06	360.00		
<b>PC60274000BAZM</b>	C/27/60/27/4000/0.6	l 4000	274.75	480.00		



axonometric view scale 1:5



front view scale 1:2

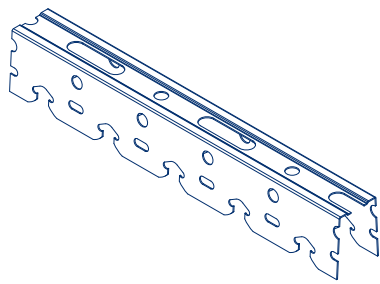


# CLICK-ON U-TRACK U 0.8 MM

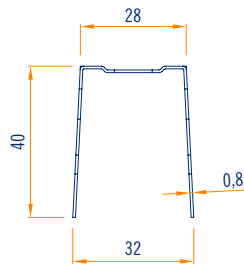
## 40/28/40 BA



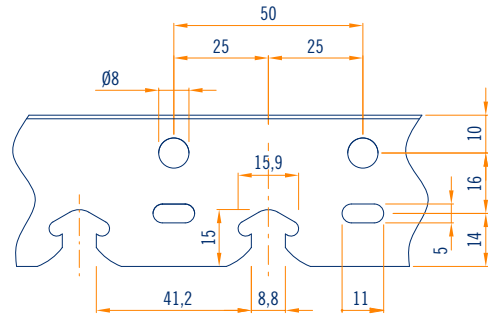
Item	Description	Dimension and thickness	Weight per pallet	MI per pkg.	Application	Sales unit
	click-on U-track U/40/28/40 rounded edge zinc-magnesium	b 28 h 40 s 0.8			suspended ceiling double wall	120 total pieces 15 package with 8 pieces each
<b>PU28403000BAZM</b>	U/40/28/40/3000/0.8	l 3000	234.00	360.00		
<b>PU28404000BAZM</b>	U/40/28/40/4000/0.8	l 4000	312.00	312.00		



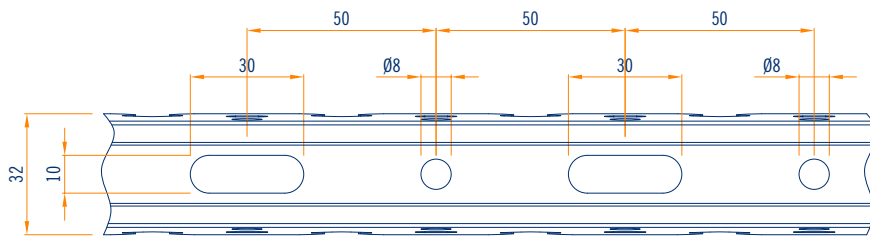
axonometric view scale 1:5



front view scale 1:2



profile drilling side view scale 1:2



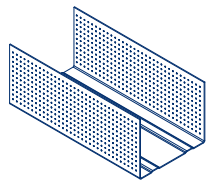
profile drilling plan view scale 1:2

# U-TRACK 0.6 MM

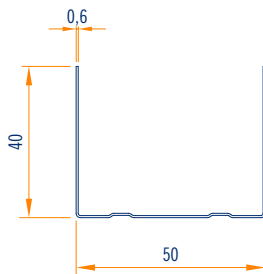
## 40/50/40 - 40/75/40 - 40/100/40 - 40/125/40 - 40/150/40



Item	Description	Dimension and thickness	Weight per pallet	MI per pkg.	Application	Sales unit
	U-track U/40/50/40 zinc-magnesium	b 50 h 40 s 0.6			double wall dividing wall	120 total pieces 15 package with 8 pieces each
<b>PU50403000ZM</b>	U/40/50/40/3000/0.6	l 3000	213.84	360.00		
<b>PU50404000ZM</b>	U/40/50/40/4000/0.6	l 4000	285.12	480.00		

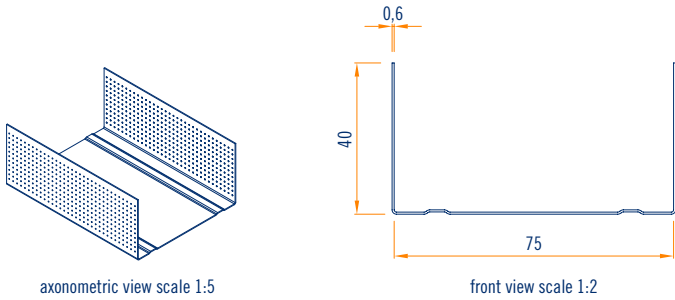


axonometric view scale 1:5

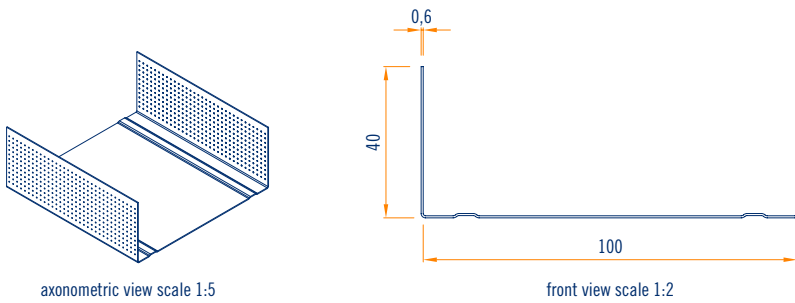


front view scale 1:2

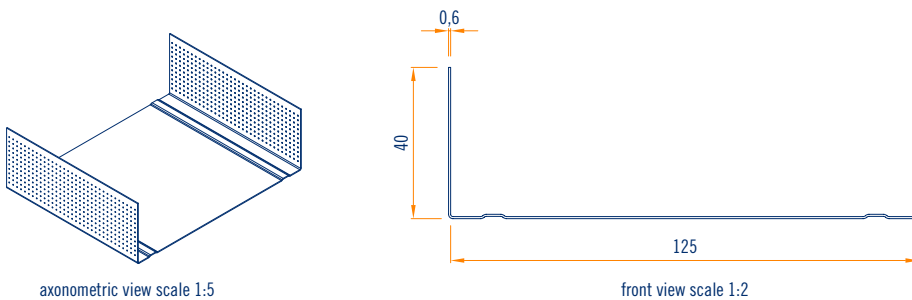
Item	Description	Dimension and thickness	Weight per pallet	MI per pkg.	Application	Sales unit
	U-track U/40/75/40 zinc-magnesium	b 75 h 40 s 0.6			double wall dividing wall	120 total pieces 15 package with 8 pieces each
<b>PU75403000ZM</b>	U/40/75/40/3000/0.6	l 3000	256.80	360.00		
<b>PU75404000ZM</b>	U/40/75/40/4000/0.6	l 4000	342.40	480.00		



Item	Description	Dimension and thickness	Weight per pallet	MI per pkg.	Application	Sales unit
	U-track U/40/100/40 zinc-magnesium	b 100 h 40 s 0.6			double wall dividing wall	120 total pieces 15 package with 8 pieces each
<b>PU100403000ZM</b>	U/40/100/40/3000/0.6	l 3000	295.49	360.00		
<b>PU100404000ZM</b>	U/40/100/40/4000/0.6	l 4000	393.98	480.00		

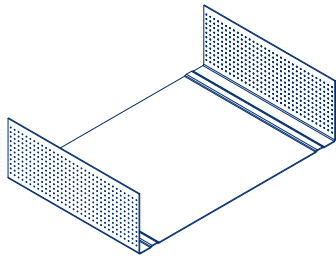


Item	Description	Dimension and thickness	Weight per pallet	MI per pkg.	Application	Sales unit
	U-track U/40/125/40 zinc-magnesium	b 125 h 40 s 0.6			double wall dividing wall	80 total pieces 20 package with 4 pieces each
<b>PU125403000ZM</b>	U/40/125/40/3000/0.6	l 3000	228.00	240.00		
<b>PU125404000ZM</b>	U/40/125/40/4000/0.6	l 4000	304.00	320.00		

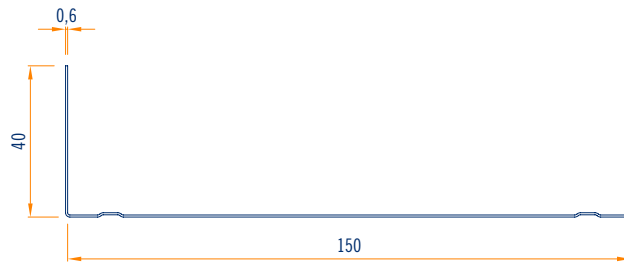


## 214 FLASHLINE ZINC-MAGNESIUM

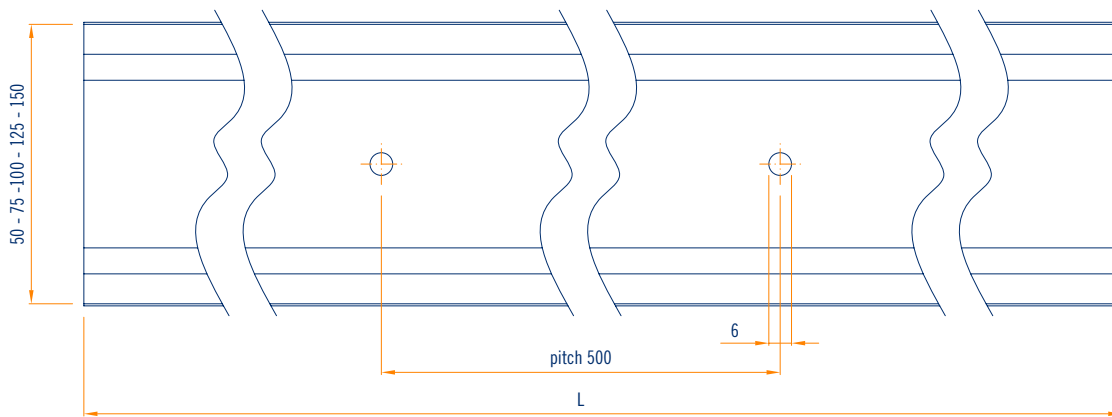
Item	Description	Dimension and thickness	Weight per pallet	MI per pkg.	Application	Sales unit
	U-track U/40/150/40 zinc-magnesium	b 150 h 40 s 0.6			double wall dividing wall	80 total pieces 20 package with 4 pieces each
<b>PU150403000ZM</b>	U/40/150/40/3000/0.6	l 3000	256.80	240.00		
<b>PU150404000ZM</b>	U/40/150/40/4000/0.6	l 4000	342.40	320.00		



axonometric view scale 1:5



front view scale 1:2

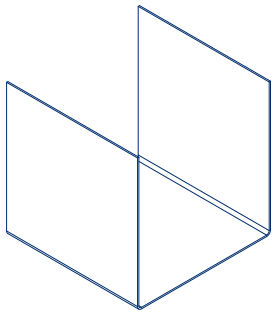


profile drilling plan view scale 1:2

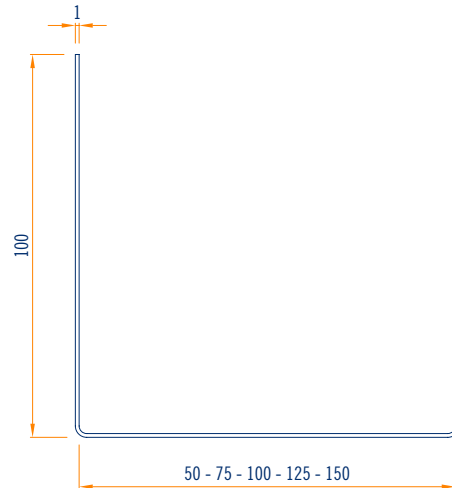
## U-TRACK 1 MM



Item	Description	Dimension and thickness	Weight per pallet	MI per pkg.	Application	Sales unit
	U-track zinc-magnesium H 100 S 1	b 50-75-100-125-150 h 100 s 1			double wall dividing wall	4 total pieces
<b>PU501003000ZM.1</b>	U/100/50/100/3000/1	l 3000	23.52	12.00		
<b>PU751003000ZM.1</b>	U/100/75/100/3000/1	l 3000	25.92	12.00		
<b>PU1001003000ZM.1</b>	U/100/100/100/3000/1	l 3000	28.32	12.00		
<b>PU1251003000ZM.1</b>	U/100/125/100/3000/1	l 3000	30.60	12.00		
<b>PU1501003000ZM.1</b>	U/100/150/100/3000/1	l 3000	33.00	12.00		



axonometric view scale 1:5



front view scale 1:2

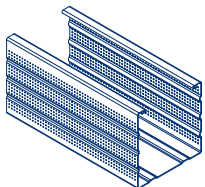
## C-STUD 0.6 MM

50/49/47 - 50/74/47 - 50/99/47 - 50/124/47 - 50/149/47

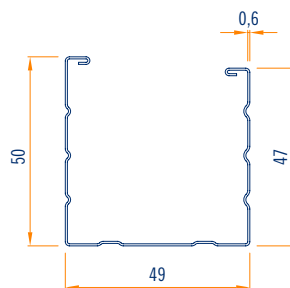


Item	Description	Dimension and thickness	Weight per pallet	MI per pkg.	Application	Sales unit
	C-stud C/50/49/47 zinc-magnesium	b 49 h 50 s 0.6			double wall dividing wall	120 total pieces 15 package with 8 pieces each
<b>PC50503000ZM</b>	C/50/49/47/3000/0.6	l 3000	268.27	360.00		
<b>PC50504000ZM</b>	C/50/49/47/4000/0.6	l 4000	357.70	480.00		

other lengths upon request



axonometric view scale 1:5

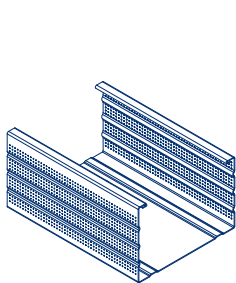


front view scale 1:2

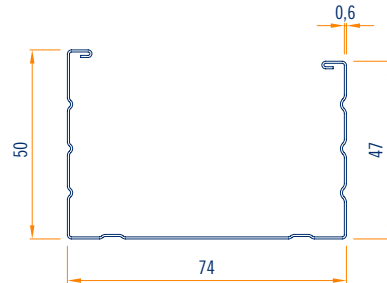
## 216 FLASHLINE ZINC-MAGNESIUM

Item	Description	Dimension and thickness	Weight per pallet	MI per pkg.	Application	Sales unit
	C-stud C/50/74/47 zinc-magnesium	b 74 h 50 s 0.6			double wall dividing wall	120 total pieces 15 package with 8 pieces each
<b>PC75503000ZM</b>	C/50/74/47/3000/0.6	I 3000	311.04	360.00		
<b>PC75504000ZM</b>	C/50/74/47/4000/0.6	I 4000	414.72	480.00		

other lengths upon request



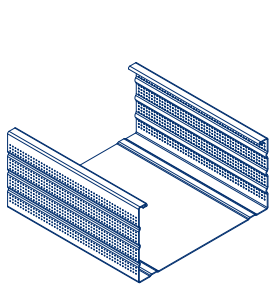
axonometric view scale 1:5



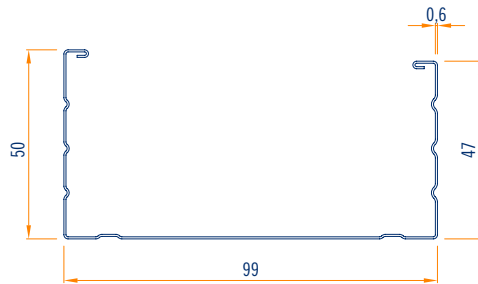
front view scale 1:2

Item	Description	Dimension and thickness	Weight per pallet	MI per pkg.	Application	Sales unit
	C-stud C/50/99/47 zinc-magnesium	b 99 h 50 s 0.6			double wall dividing wall	120 total pieces 15 package with 8 pieces each
<b>PC100503000ZM</b>	C/50/99/47/3000/0.6	I 3000	353.81	360.00		
<b>PC100504000ZM</b>	C/50/99/47/4000/0.6	I 4000	471.74	480.00		

other lengths upon request



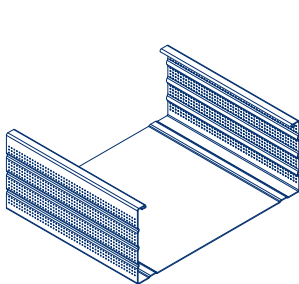
axonometric view scale 1:5



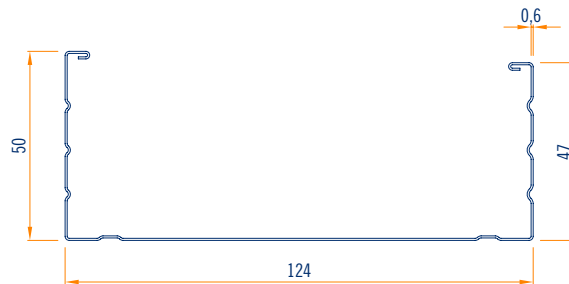
front view scale 1:2

Item	Description	Dimension and thickness	Weight per pallet	MI per pkg.	Application	Sales unit
	C-stud C/50/124/47 zinc-magnesium	b 124 h 50 s 0.6			double wall dividing wall	80 total pieces 20 package with 4 pieces each
<b>PC125503000ZM</b>	C/50/124/47/3000/0.6	I 3000	266.40	240.00		
<b>PC125504000ZM</b>	C/50/124/47/4000/0.6	I 4000	355.20	320.00		

other lengths upon request



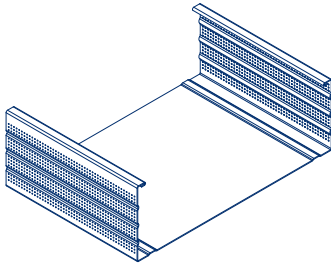
axonometric view scale 1:5



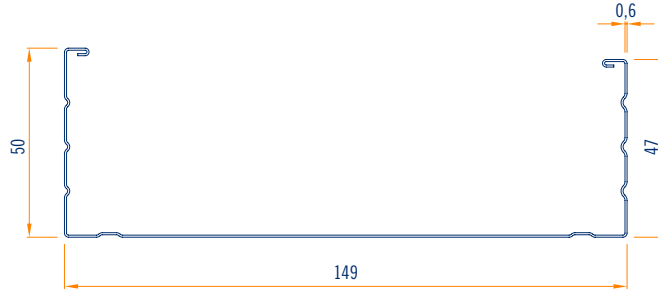
front view scale 1:2

Item	Description	Dimension and thickness	Weight per pallet	MI per pkg.	Application	Sales unit
	C-stud C/50/149/47 zinc-magnesium	b 149 h 50 s 0.6			double wall dividing wall	80 total pieces 20 package with 4 pieces each
<b>PC150503000ZM</b>	C/50/149/47/3000/0.6	l 3000	292.80	240.00		
<b>PC150504000ZM</b>	C/50/149/47/4000/0.6	l 4000	390.40	320.00		

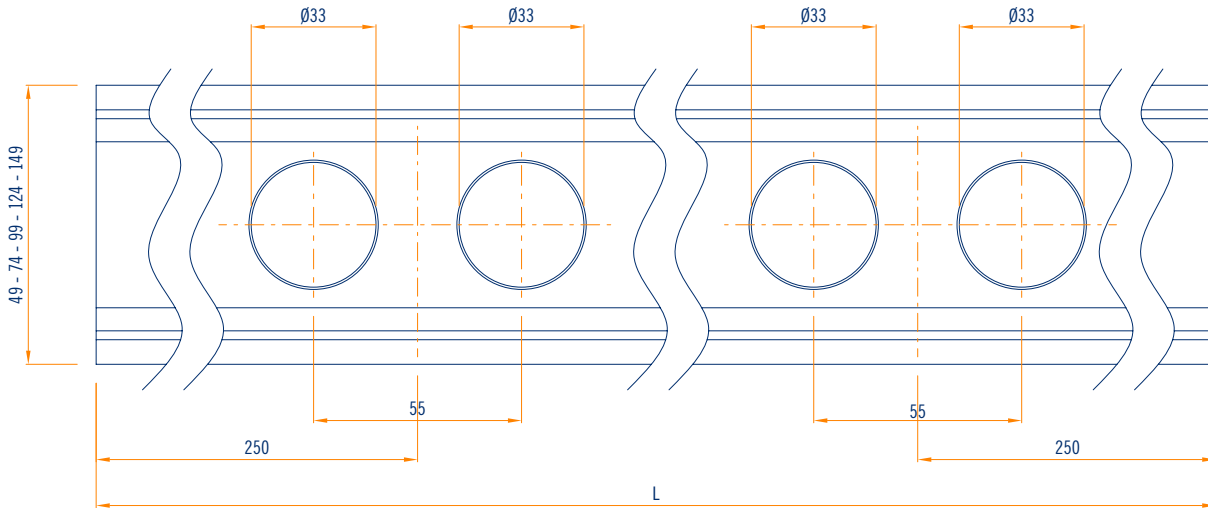
other lengths upon request



axonometric view scale 1:5



front view scale 1:2



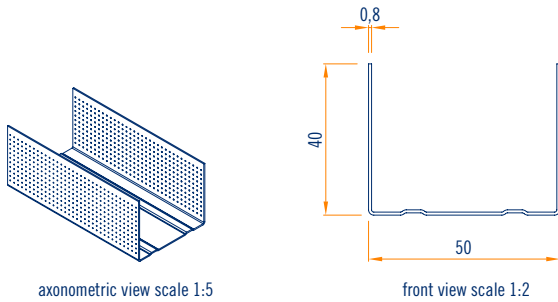
profile drilling plan view scale 1:2

**U-TRACK 0.8 MM**

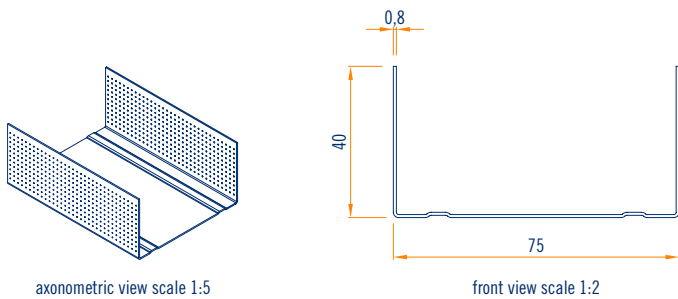
40/50/40 - 40/75/40 - 40/100/40 - 40/125/40 - 40/150/40



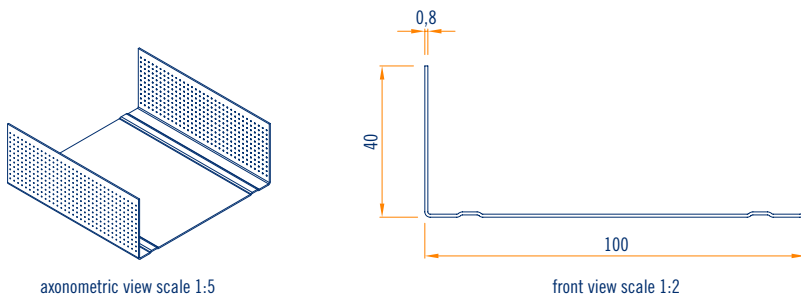
Item	Description	Dimension and thickness	Weight per pallet	MI per pkg.	Application	Sales unit
	U-track U/40/50/40 zinc-magnesium	b 50 h 40 s 0.8			double wall dividing wall	120 total pieces 15 package with 8 pieces each
<b>PU50403000ZM.8</b>	U/40/50/40/3000/0.8	l 3000	288.00	360.00		
<b>PU50404000ZM.8</b>	U/40/50/40/4000/0.8	l 4000	384.00	480.00		



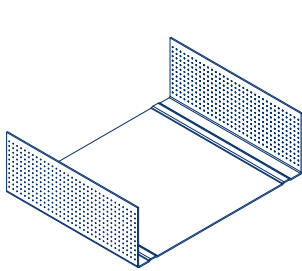
Item	Description	Dimension and thickness	Weight per pallet	MI per pkg.	Application	Sales unit
	U-track U/40/75/40 zinc-magnesium	b 75 h 40 s 0.8			double wall dividing wall	120 total pieces 15 package with 8 pieces each
<b>PU75403000ZM.8</b>	U/40/75/40/3000/0.8	l 3000	342.00	360.00		
<b>PU75404000ZM.8</b>	U/40/75/40/4000/0.8	l 4000	456.00	480.00		



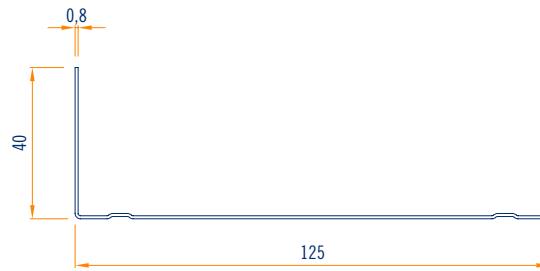
Item	Description	Dimension and thickness	Weight per pallet	MI per pkg.	Application	Sales unit
	U-track U/40/100/40 zinc-magnesium	b 100 h 40 s 0.8			double wall dividing wall	120 total pieces 15 package with 8 pieces each
<b>PU100403000ZM.8</b>	U/40/100/40/3000/0.8	l 3000	352.80	360.00		
<b>PU100404000ZM.8</b>	U/40/100/40/4000/0.8	l 4000	399.80	480.00		



Item	Description	Dimension and thickness	Weight per pallet	MI per pkg.	Application	Sales unit
	U-track U/40/125/40 zinc-magnesium	b 125 h 40 s 0.8			double wall dividing wall	80 total pieces 20 package with 4 pieces each
<b>PU125403000ZM.8</b>	U/40/125/40/3000/0.8	l 3000	304.80	240.00		
<b>PU125404000ZM.8</b>	U/40/125/40/4000/0.8	l 4000	406.40	320.00		

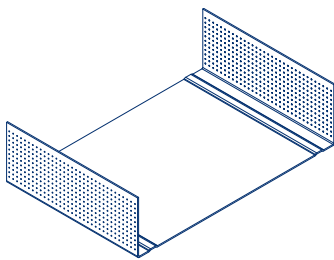


axonometric view scale 1:5

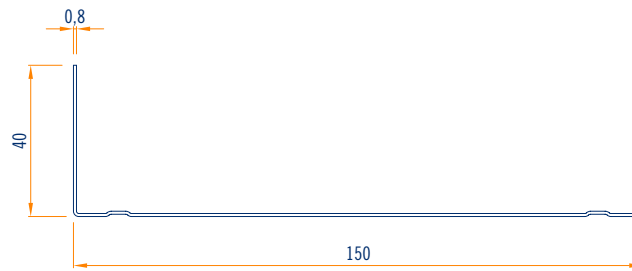


front view scale 1:2

Item	Description	Dimension and thickness	Weight per pallet	MI per pkg.	Application	Sales unit
	U-track U/40/150/40 zinc-magnesium	b 150 h 40 s 0.8			double wall dividing wall	80 total pieces 20 package with 4 pieces each
<b>PU150403000ZM.8</b>	U/40/150/40/3000/0.8	l 3000	343.20	240.00		
<b>PU150404000ZM.8</b>	U/40/150/40/4000/0.8	l 4000	457.60	320.00		



axonometric view scale 1:5



front view scale 1:2



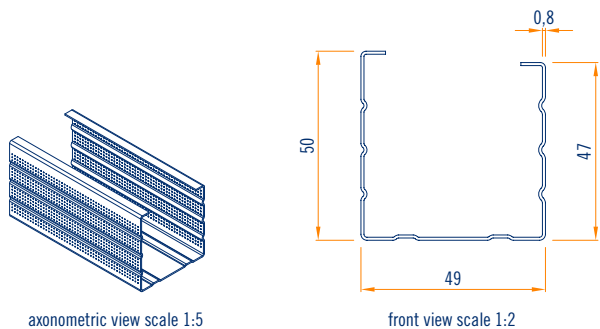
**C-STUD 0.8 MM**

50/49/47 - 50/74/47 - 50/99/47 - 50/124/47 - 50/149/47



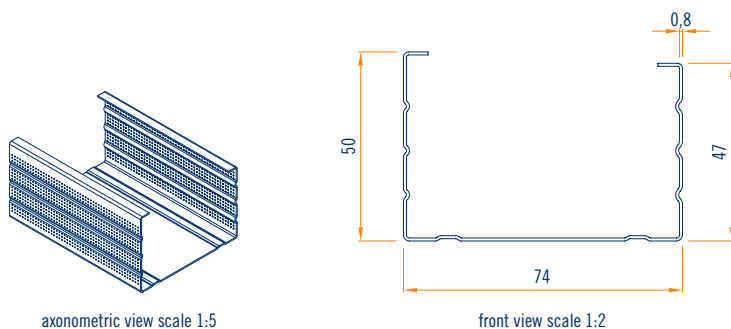
Item	Description	Dimension and thickness	Weight per pallet	MI per pkg.	Application	Sales unit
	C-stud C/50/49/47 zinc-magnesium	b 49 h 50 s 0.8			double wall dividing wall	120 total pieces 15 package with 8 pieces each
<b>PC50503000ZM.8</b>	C/50/49/47/3000/0.8	l 3000	345.60	360.00		
<b>PC50504000ZM.8</b>	C/50/49/47/4000/0.8	l 4000	460.80	480.00		

other lengths upon request



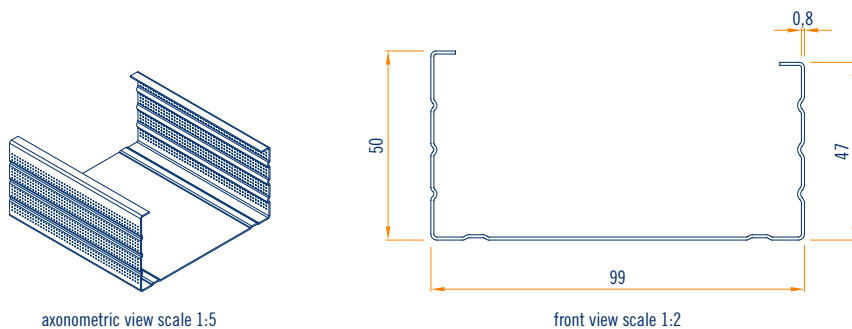
Item	Description	Dimension and thickness	Weight per pallet	MI per pkg.	Application	Sales unit
	C-stud C/50/74/47 zinc-magnesium	b 74 h 50 s 0.8			double wall dividing wall	120 total pieces 15 package with 8 pieces each
<b>PC75503000ZM.8</b>	C/50/74/47/3000/0.8	l 3000	403.20	360.00		
<b>PC75504000ZM.8</b>	C/50/74/47/4000/0.8	l 4000	537.60	480.00		

other lengths upon request

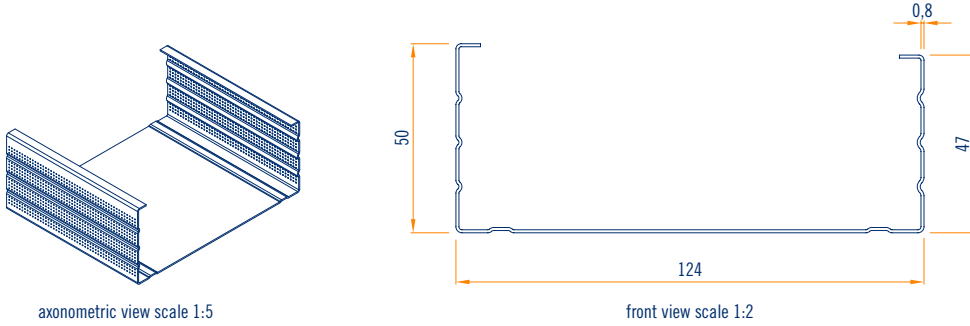


Item	Description	Dimension and thickness	Weight per pallet	MI per pkg.	Application	Sales unit
	C-stud C/50/99/47 zinc-magnesium	b 99 h 50 s 0.8			double wall dividing wall	120 total pieces 15 package with 8 pieces each
<b>PC100503000ZM.8</b>	C/50/99/47/3000/0.8	l 3000	457.20	360.00		
<b>PC100504000ZM.8</b>	C/50/99/47/4000/0.8	l 4000	609.60	480.00		

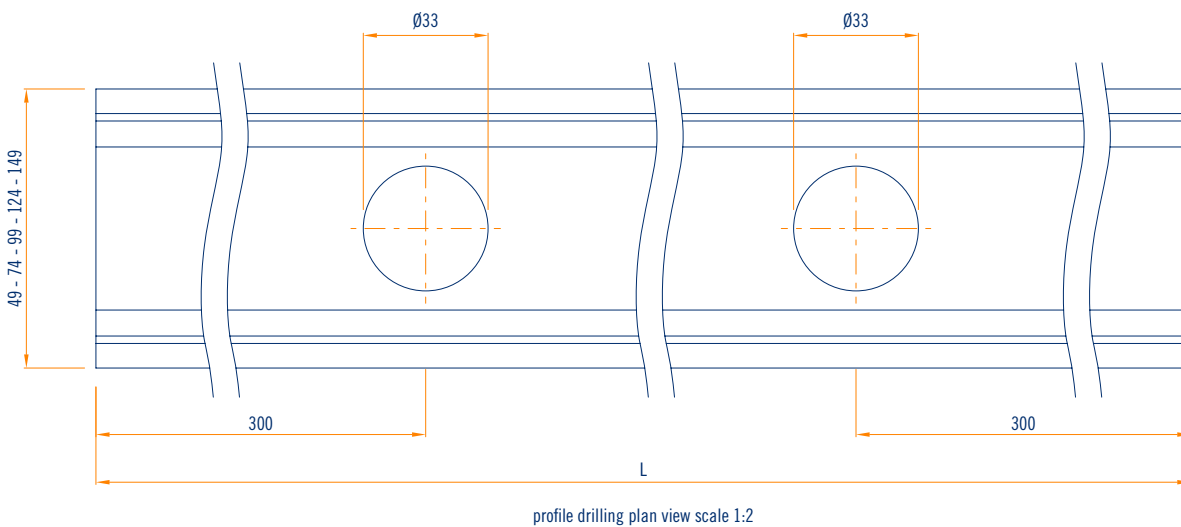
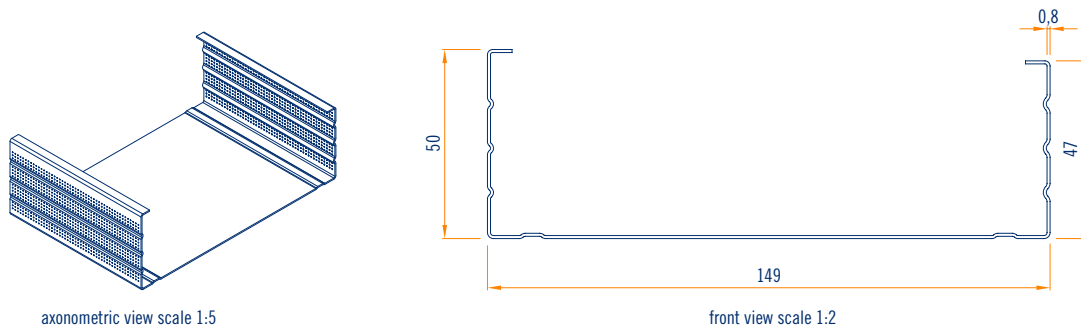
other lengths upon request



Item	Description	Dimension and thickness	Weight per pallet	MI per pkg.	Application	Sales unit
	C-stud C/50/124/47 zinc-magnesium	b 124 h 50 s 0.8			double wall dividing wall	80 total pieces 20 package with 4 pieces each
<b>PC125503000ZM.8</b>	C/50/124/47/3000/0.8	l 3000	343.20	240.00		
<b>PC125504000ZM.8</b>	C/50/124/47/4000/0.8	l 4000	457.60	320.00		
		other lengths upon request				



Item	Description	Dimension and thickness	Weight per pallet	MI per pkg.	Application	Sales unit
	C-stud C/50/149/47 zinc-magnesium	b 149 h 50 s 0.8			double wall dividing wall	80 total pieces 20 package with 4 pieces each
<b>PC150503000ZM.8</b>	C/50/149/47/3000/0.8	l 3000	381.60	240.00		
<b>PC150504000ZM.8</b>	C/50/149/47/4000/0.8	l 4000	508.80	320.00		
		other lengths upon request				

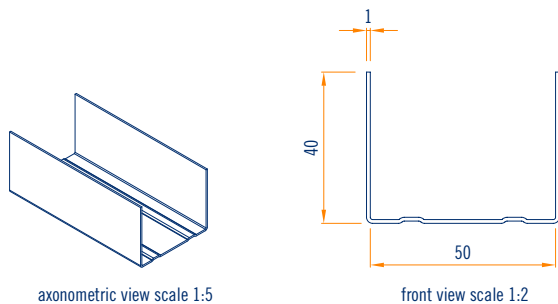


**U-TRACK 1 MM**

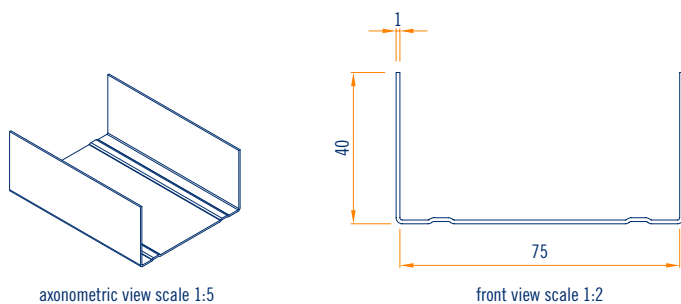
40/50/40 - 40/75/40 - 40/100/40 - 40/125/40 - 40/150/40



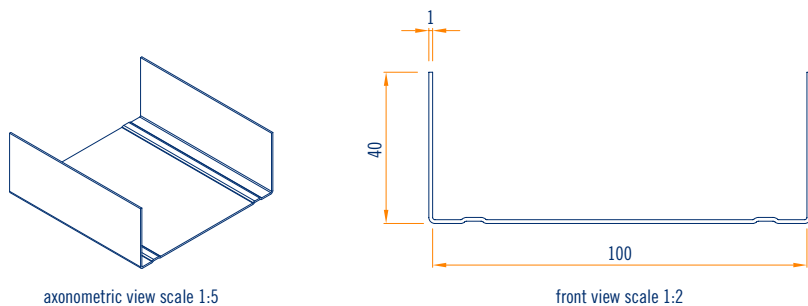
Item	Description	Dimension and thickness	Weight per pallet	MI per pkg.	Application	Sales unit
	U-track U/40/50/40 zinc-magnesium	b 50 h 40 s 1			double wall dividing wall	120 total pieces 15 package with 8 pieces each
<b>PU50403000ZM.1</b>	U/40/50/40/3000/1	l 3000	387.24	360.00		
<b>PU50404000ZM.1</b>	U/40/50/40/4000/1	l 4000	516.33	480.00		



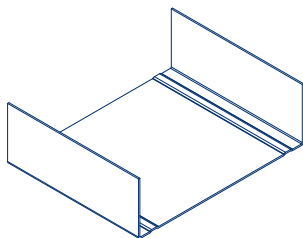
Item	Description	Dimension and thickness	Weight per pallet	MI per pkg.	Application	Sales unit
	U-track U/40/75/40 zinc-magnesium	b 75 h 40 s 1			double wall dividing wall	120 total pieces 15 package with 8 pieces each
<b>PU75403000ZM.1</b>	U/40/75/40/3000/1	l 3000	462.67	360.00		
<b>PU75404000ZM.1</b>	U/40/75/40/4000/1	l 4000	616.89	480.00		



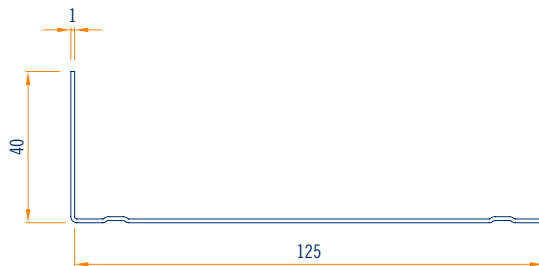
Item	Description	Dimension and thickness	Weight per pallet	MI per pkg.	Application	Sales unit
	U-track U/40/100/40 zinc-magnesium	b 100 h 40 s 1			double wall dividing wall	120 total pieces 15 package with 8 pieces each
<b>PU100403000ZM.1</b>	U/40/100/40/3000/1	l 3000	540.43	360.00		
<b>PU100404000ZM.1</b>	U/40/100/40/4000/1	l 4000	720.58	480.00		



Item	Description	Dimension and thickness	Weight per pallet	MI per pkg.	Application	Sales unit
	U-track U/40/125/40 zinc-magnesium	b 125 h 40 s 1			double wall dividing wall	80 total pieces 20 package with 4 pieces each
<b>PU125403000ZM.1</b>	U/40/125/40/3000/1	l 3000	410.83	240.00		
<b>PU125404000ZM.1</b>	U/40/125/40/4000/1	l 4000	548.12	320.00		

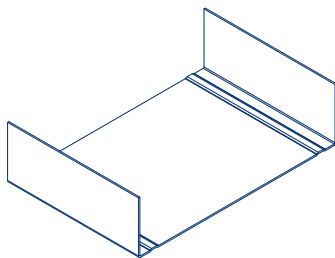


axonometric view scale 1:5

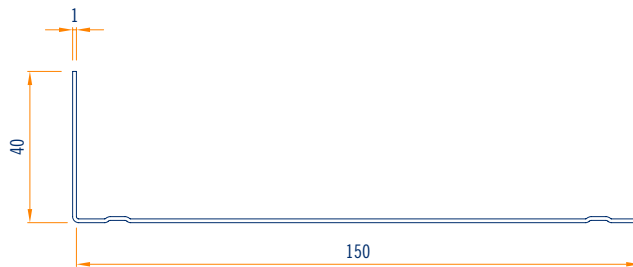


front view scale 1:2

Item	Description	Dimension and thickness	Weight per pallet	MI per pkg.	Application	Sales unit
	U-track U/40/150/40 zinc-magnesium	b 150 h 40 s 1			double wall dividing wall	80 total pieces 20 package with 4 pieces each
<b>PU150403000ZM.1</b>	U/40/150/40/3000/1	l 3000	461.89	240.00		
<b>PU150404000ZM.1</b>	U/40/150/40/4000/1	l 4000	615.86	320.00		



axonometric view scale 1:5



front view scale 1:2

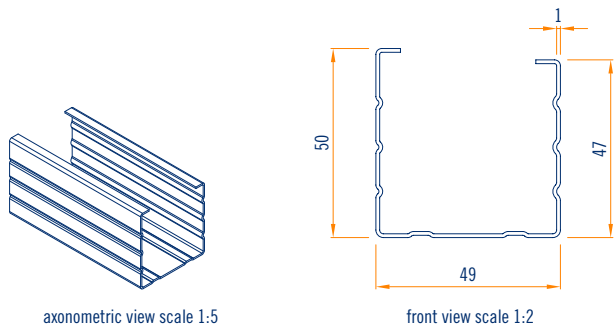
**C-STUD 1 MM**

50/49/47 - 50/74/47 - 50/99/47 - 50/124/47 - 50/149/47



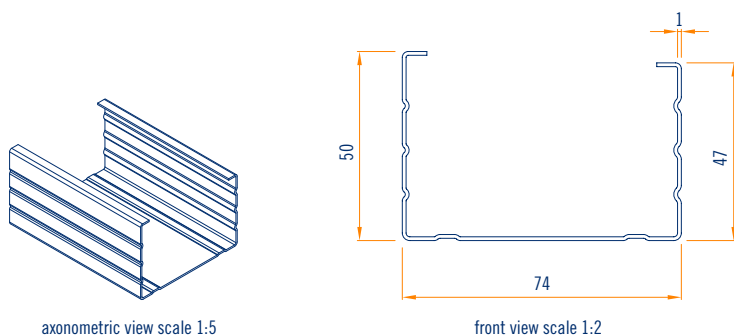
Item	Description	Dimension and thickness	Weight per pallet	MI per pkg.	Application	Sales unit
	C-stud C/50/49/47 zinc-magnesium	b 49 h 50 s 1			double wall dividing wall	120 total pieces 15 package with 8 pieces each
<b>PC50503000ZM.1</b>	C/50/49/47/3000/1	l 3000	466.56	360.00		
<b>PC50504000ZM.1</b>	C/50/49/47/4000/1	l 4000	622.10	480.00		

other lengths upon request



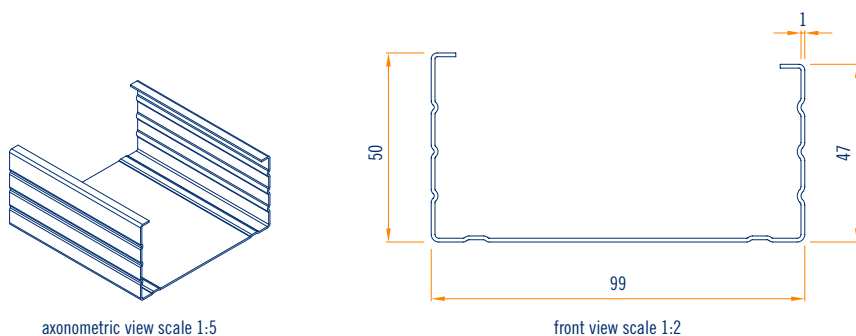
Item	Description	Dimension and thickness	Weight per pallet	MI per pkg.	Application	Sales unit
	C-stud C/50/74/47 zinc-magnesium	b 74 h 50 s 1			double wall dividing wall	120 total pieces 15 package with 8 pieces each
<b>PC75503000ZM.1</b>	C/50/74/47/3000/1	l 3000	543.15	360.00		
<b>PC75504000ZM.1</b>	C/50/74/47/4000/1	l 4000	724.20	480.00		

other lengths upon request



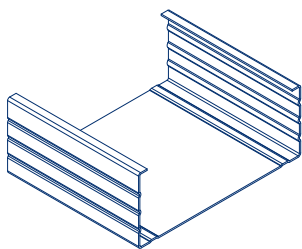
Item	Description	Dimension and thickness	Weight per pallet	MI per pkg.	Application	Sales unit
	C-stud C/50/99/47 zinc-magnesium	b 99 h 50 s 1			double wall dividing wall	120 total pieces 15 package with 8 pieces each
<b>PC100503000ZM.1</b>	C/50/99/47/3000/1	l 3000	619.74	360.00		
<b>PC100504000ZM.1</b>	C/50/99/47/4000/1	l 4000	825.81	480.00		

other lengths upon request

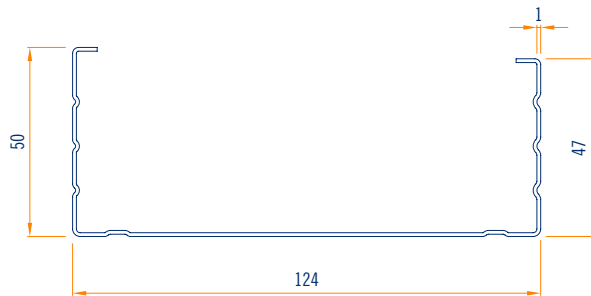


Item	Description	Dimension and thickness	Weight per pallet	MI per pkg.	Application	Sales unit
	C-stud C/50/124/47 zinc-magnesium	b 124 h 50 s 1			double wall dividing wall	80 total pieces 20 package with 4 pieces each
<b>PC125503000ZM.1</b>	C/50/124/47/3000/1	l 3000	463.97	240.00		
<b>PC125504000ZM.1</b>	C/50/124/47/4000/1	l 4000	618.28	320.00		

other lengths upon request



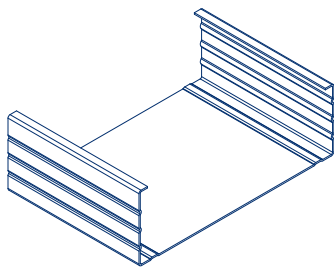
axonometric view scale 1:5



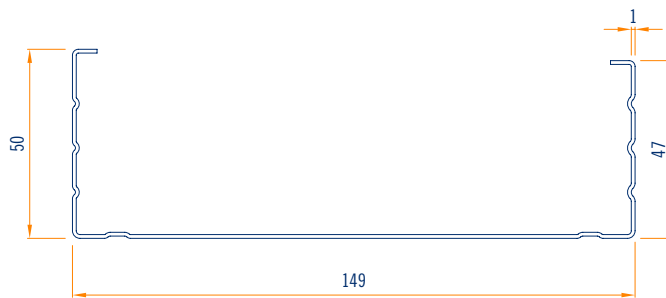
front view scale 1:2

Item	Description	Dimension and thickness	Weight per pallet	MI per pkg.	Application	Sales unit
	C-stud C/50/149/47 zinc-magnesium	b 149 h 50 s 1			double wall dividing wall	80 total pieces 20 package with 4 pieces each
<b>PC150503000ZM.1</b>	C/50/149/47/3000/1	l 3000	514.77	240.00		
<b>PC150504000ZM.1</b>	C/50/149/47/4000/1	l 4000	686.36	320.00		

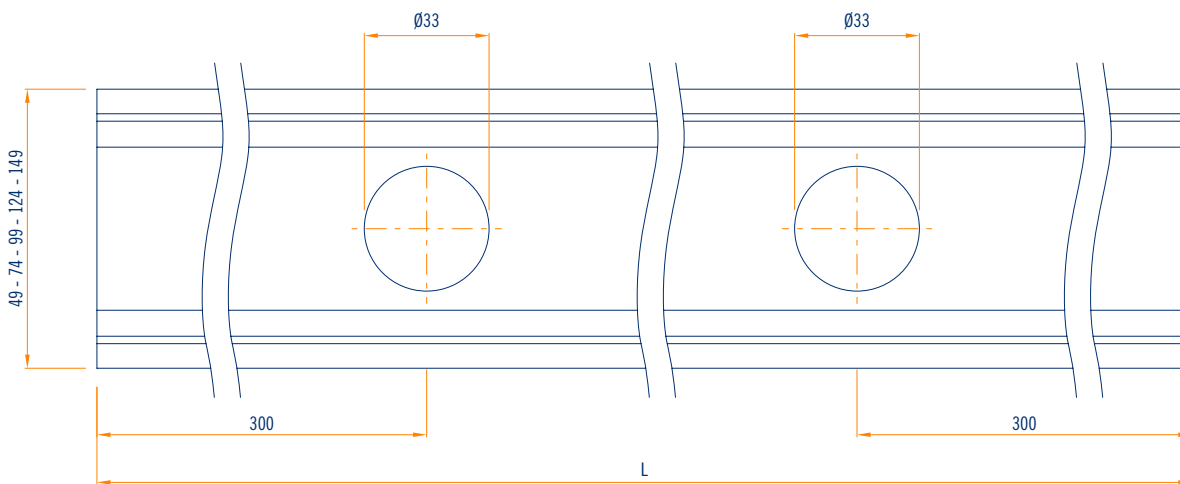
other lengths upon request



axonometric view scale 1:5



front view scale 1:2



profile drilling plan view scale 1:2

# IMPORTANT RECOMMENDATIONS FOR USING AND STORING PRODUCTS

## CE Marking

Please note that each product is part of a hanging/connection kit for connecting to the upper anchoring system and to the supporting element in dry construction systems **for use inside buildings**. The various components are identified in the catalogue and price list with the CE logo.

**Each CE product has a Declaration of Performance (DOP).**

**Durability: class B** (Components of a building exposed to variable relative humidity up to 90% and to variable temperatures up to 30°C but with no exposure to corrosive pollution agents).

## Recommendations for storing metal framing elements

We recommend to store packages in a covered area with a relatively dry atmosphere and as constant a temperature as possible, to avoid condensation that could consume the passivation coat protecting the galvanised surface.

If stored outdoors (**not recommended**), please cover so as to ensure the material is fully protected against adverse weather conditions (rain, fog, snow), making sure the packages are stored in a slightly inclined position. The cover must nevertheless ensure sufficient airflow (the two surfaces must not be in direct contact) so that moisture does not settle and create condensation.



**Metalstampi s.r.l.**  
Vicolo Biban, 7  
31030 Biban di Carbonera (TV) Italy  
Tel. +39 0422 398250  
[export@metalstampi.com](mailto:export@metalstampi.com)  
[www.metalstampi.com](http://www.metalstampi.com)