

---

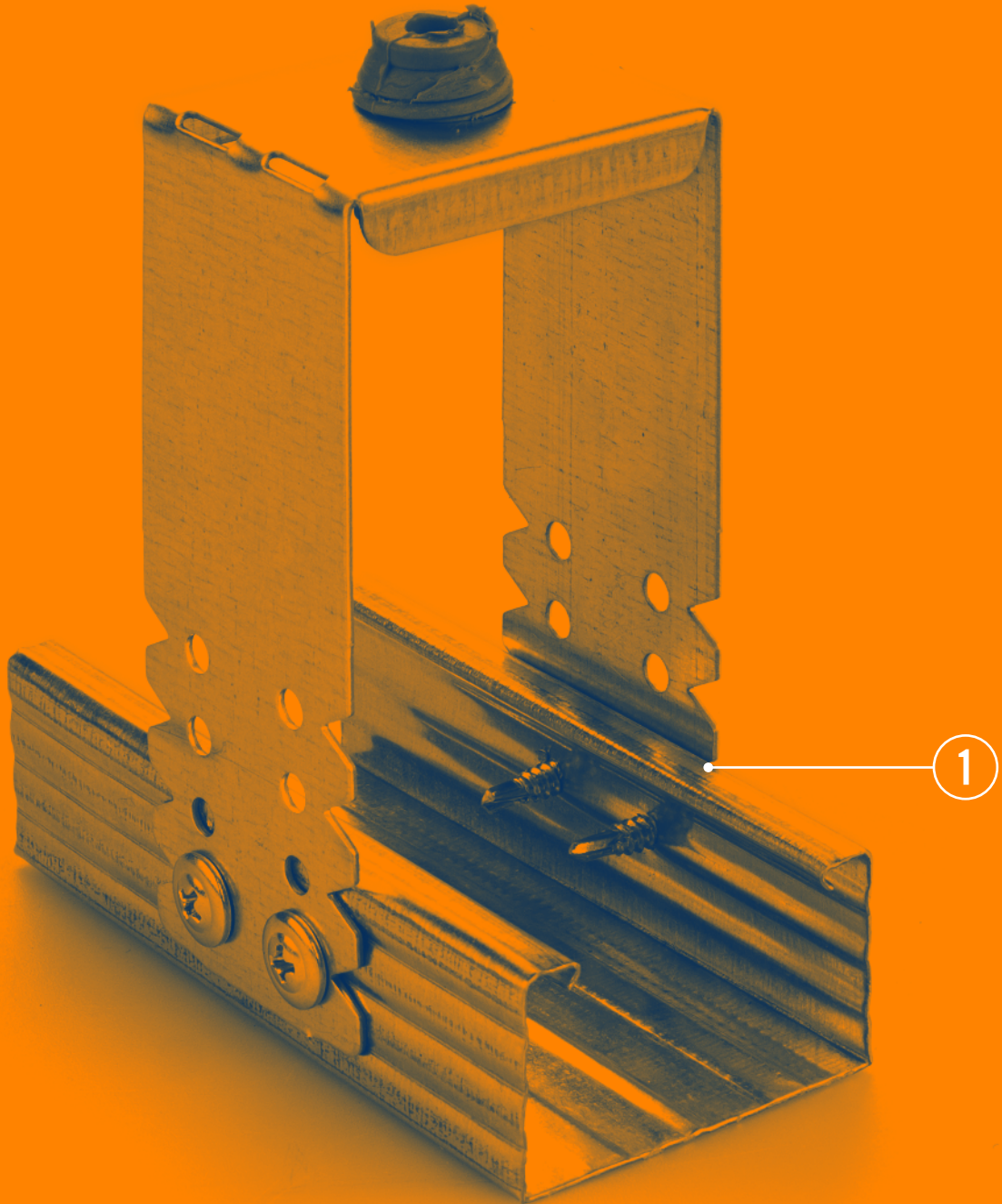
**FASTENING SYSTEMS  
CONNECT GUMMY SYSTEM -  
SOUNDPROOFING RUBBER**



**METALSTAMPI**

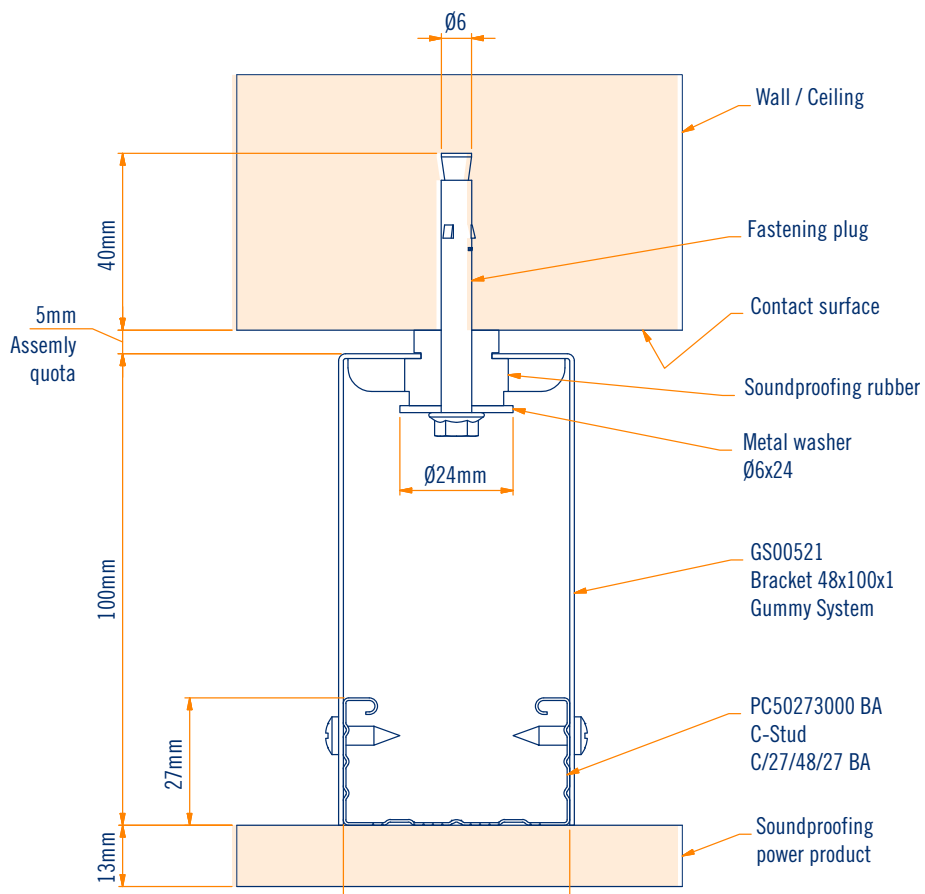
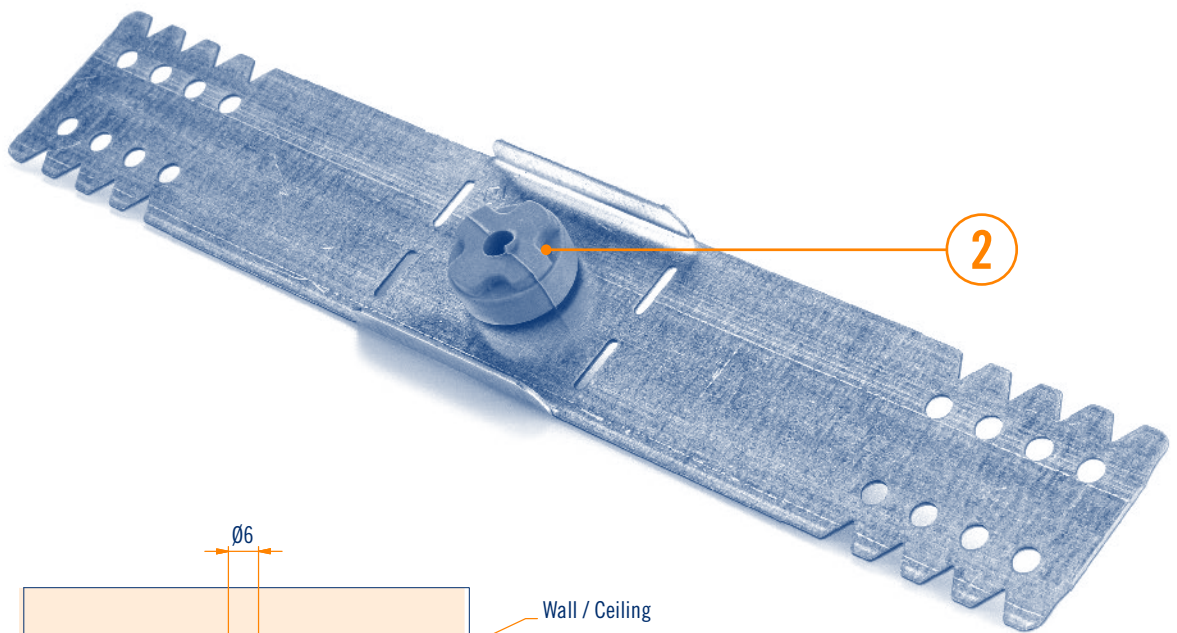
# FASTENING SYSTEMS

## CONNECT GUMMY SYSTEM

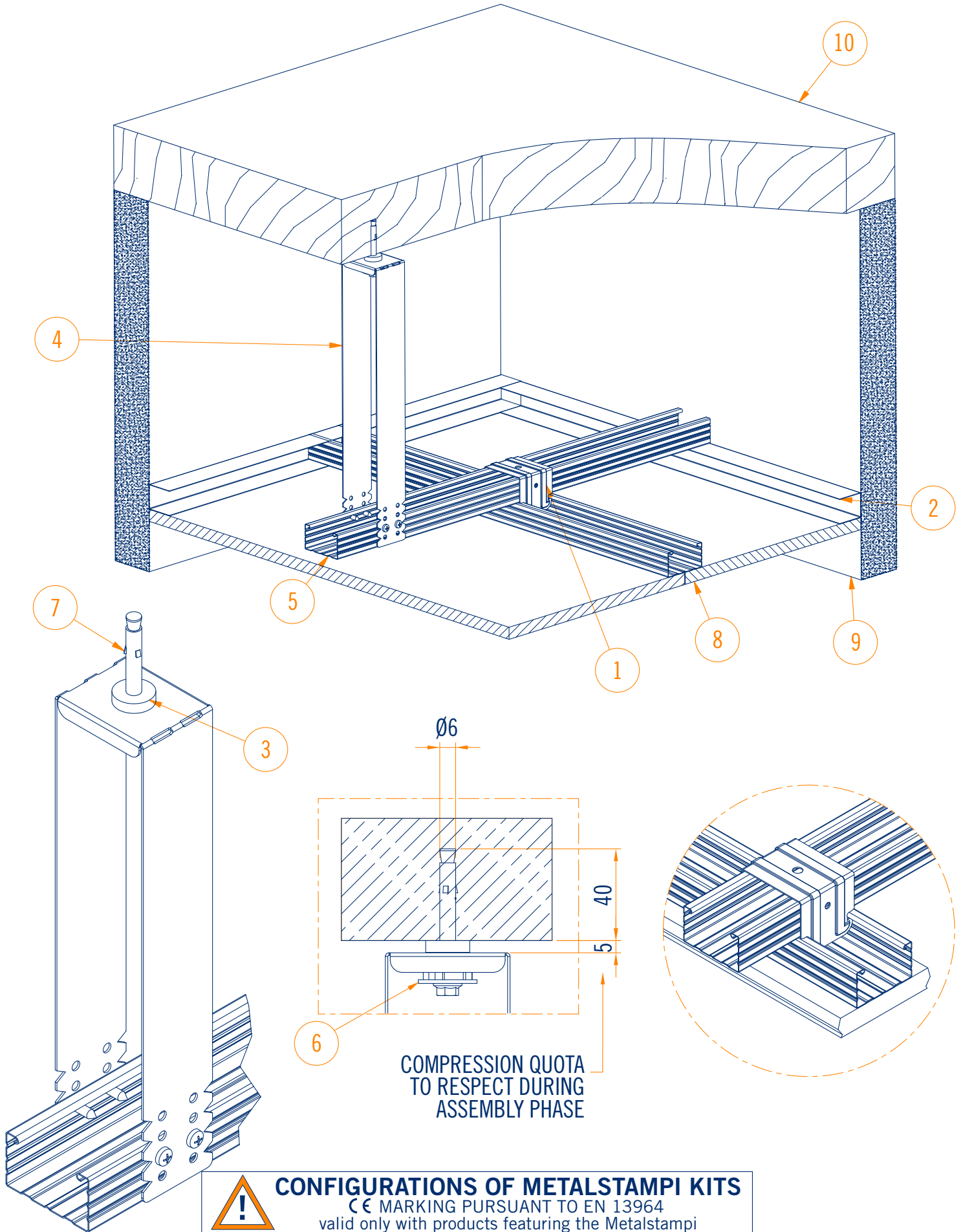


## STRENGTHS

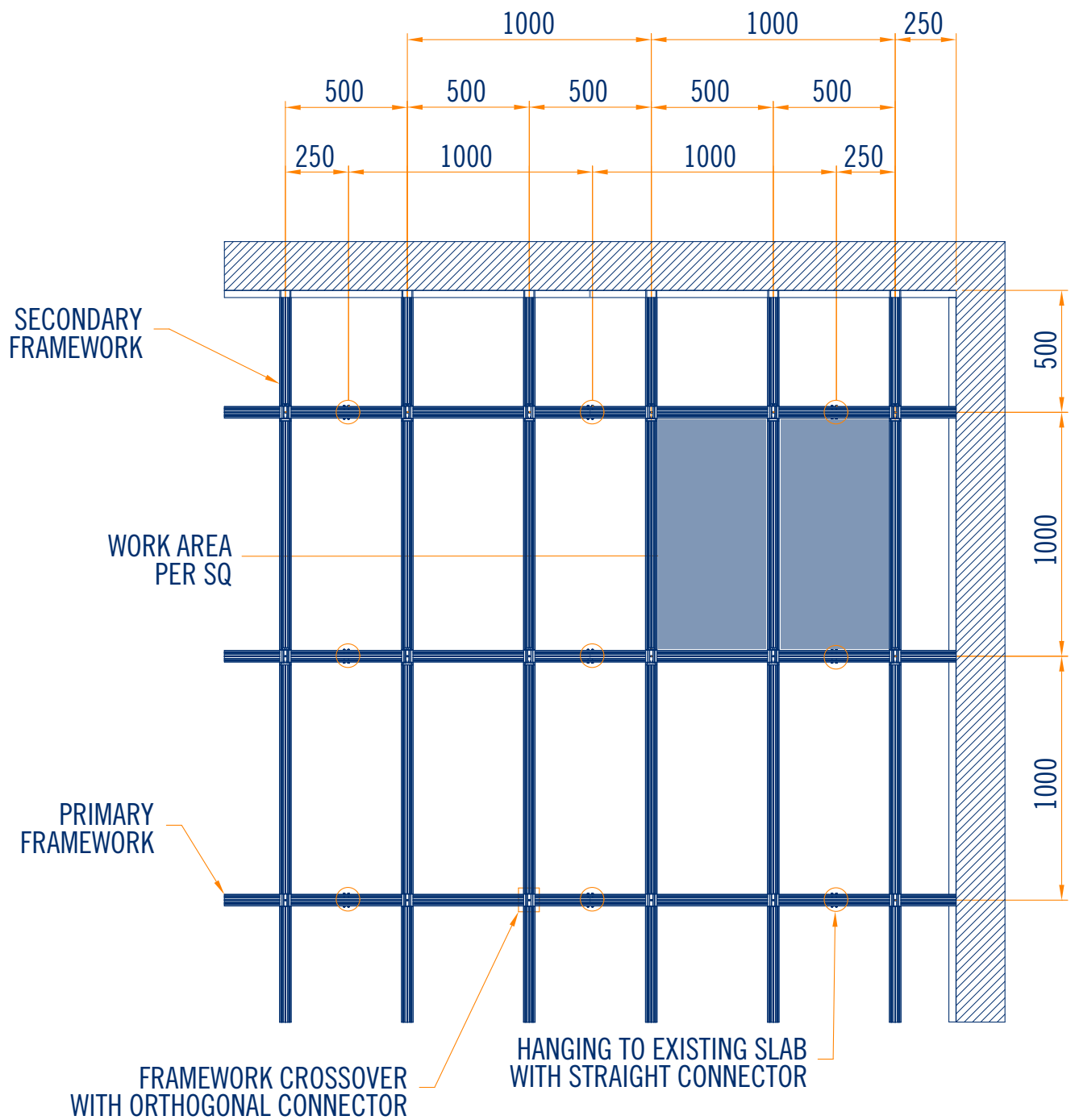
- 1 — Compliance to mandatory CE marking and EU standard EN 13964 (“Suspended ceilings - Requirement and test methods”) carried out by using accessory kits and profiles produced by Metalstampi.
- 2 — High soundproofing power thanks to the interposition of a thermoplastic rubber membrane.
- 3 — Safe mechanical disconnection between existing surface and reclaimed surface.



# AXONOMETRIC VIEW APPLICATION GUMMY SYSTEM METALSTAMPI PRODUCTS



## ASSEMBLY DIAGRAM



Pos.	Description	Item
1	CLICK-ON ORTHOGONAL CONNECTOR	113/P100 (BA)
2	U-TRACK U/30/28/30/3000/0.6	PU28303000
3	SOUNDPROOFING RUBBER GUMMY SYSTEM	
4	ADJUSTABLE BRACKET 48x300x1 GUMMY SYSTEM	GS00525
5	C-STUD C/27/48/27/3000/0.6 BA	PC50273000BA
6	WASHER Ø6x24x2	
7	FASTENING PLUG	Ø6
8	PLASTERBOARD COVERING	
9	WALLS	
10	SLAB	

# SPACER CONNECTOR GUMMY SYSTEM

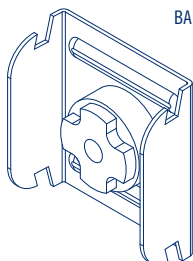
C/27/48/27 BA-BS

BASE 48

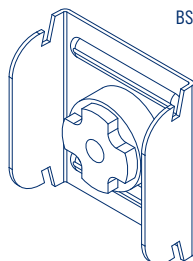


Item	Description	Dimension and thickness	Weight per package	Application	Sales unit
<b>GS00500</b> (BA) <b>GS00501</b> (BS)	spacer connector Gummy System	s 1 d 10	1.53	suspended ceiling double wall	50 total pieces 1 package

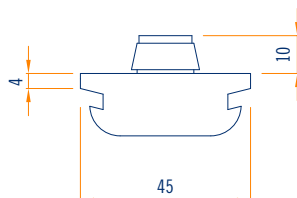
C/27/48/27



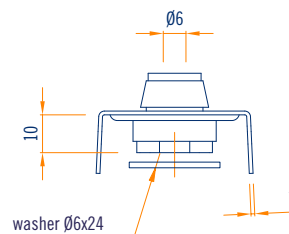
BA



BS



front view scale 1:2



side view scale 1:2

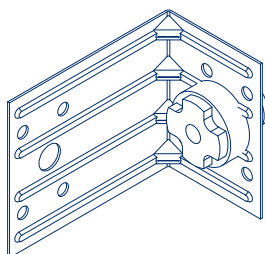
axonometric view scale 1:2

axonometric view scale 1:2

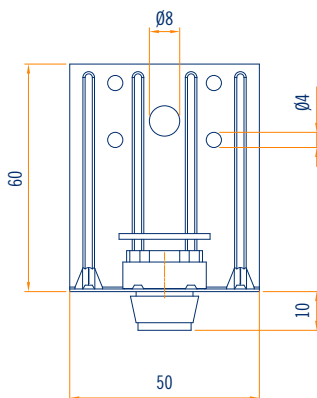
# L-BRACKET GUMMY SYSTEM

60X35 - 120X35

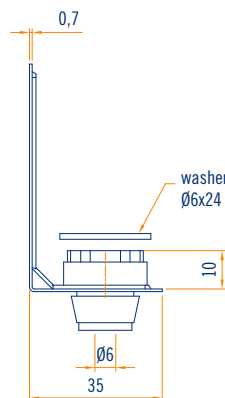
Item	Description	Dimension and thickness	Weight per package	Application	Sales unit
<b>GS00502</b>	L-bracket Gummy System 60x35	d 65 s 0.7	1.78	double wall	50 total pieces 1 package



axonometric view scale 1:2

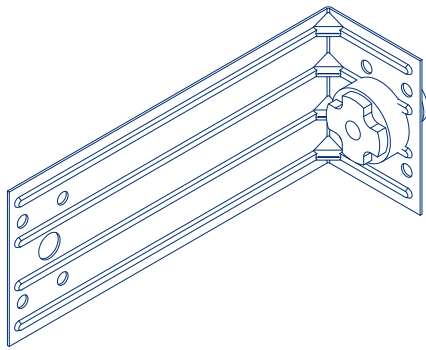


front view scale 1:2

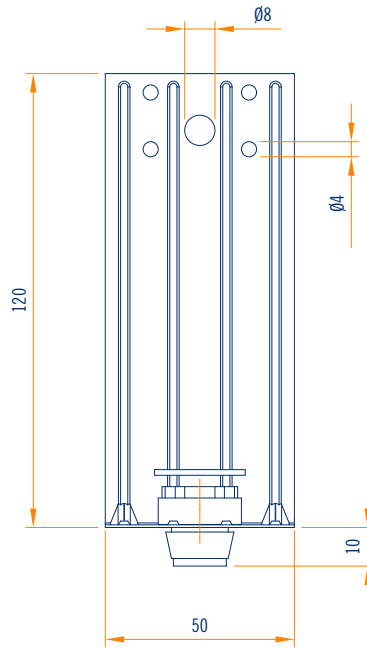


side view scale 1:2

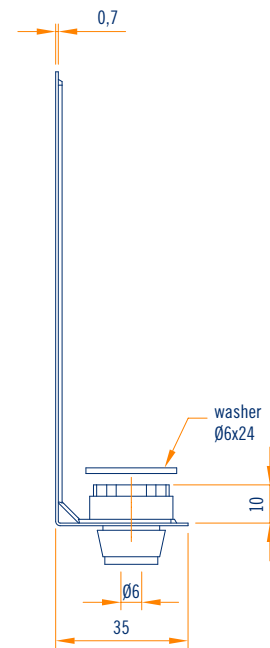
Item	Description	Dimension and thickness	Weight per package	Application	Sales unit
<b>GS00503</b>	L-bracket Gummy System 120x35	d 125 s 0.7	3.40	double wall	50 total pieces 1 package



axonometric view scale 1:2



front view scale 1:2

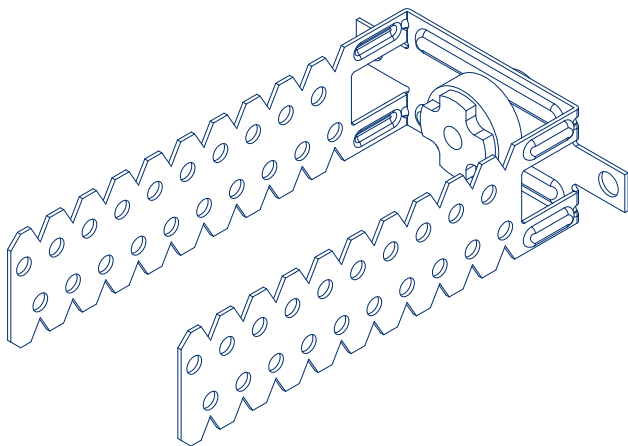


side view scale 1:2

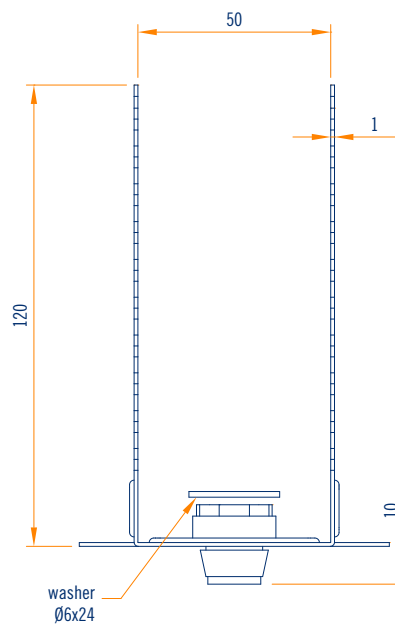
## ADJUSTABLE BRACKET GUMMY SYSTEM

C/27/48/27 BA-BS - C/27/60/27 BI-BA  
50-60X120

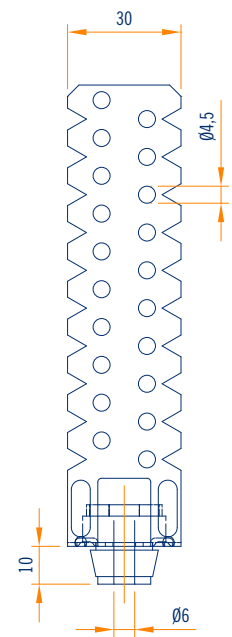
Item	Description	Dimension and thickness	Weight per package	Application	Sales unit
<b>GS00508</b>	adjustable bracket Gummy System 50x120 C/27/48/27 BA-BS	d 125 s 1	3.39	double wall	50 total pieces 1 package



axonometric view scale 1:2



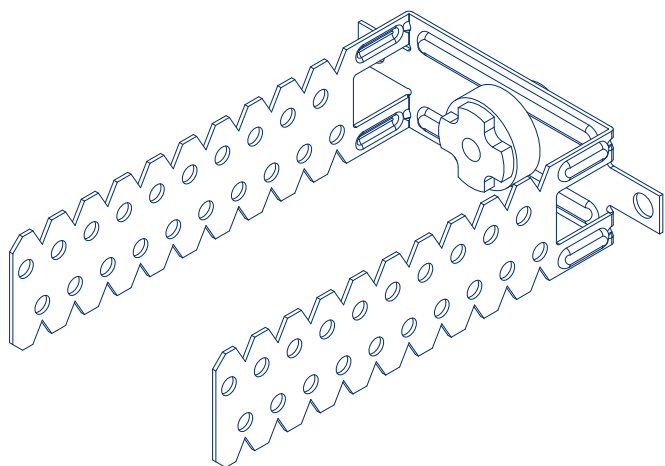
front view scale 1:2



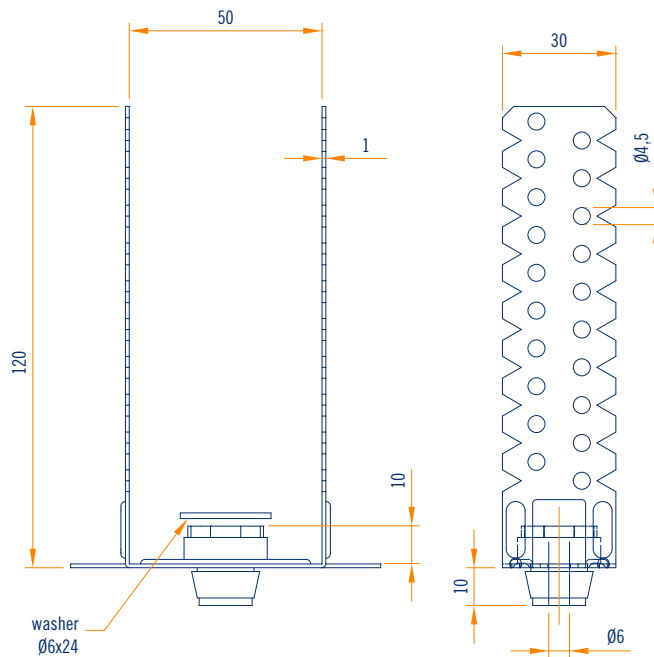
side view scale 1:2

## 62 CONNECT GUMMY SYSTEM

Item	Description	Dimension and thickness	Weight per package	Application	Sales unit
<b>GS00507</b>	adjustable bracket Gummy System 60x120 C/27/60/27 BI-BA	d 125 s 1	3.95	double wall	50 total pieces 1 package



axonometric view scale 1:2



front view scale 1:2

side view scale 1:2

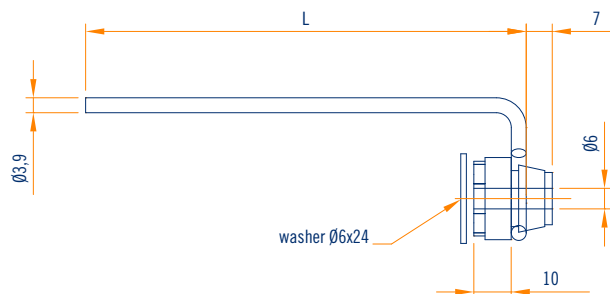
## 90° BENT HANGER Ø 3.9 MM GUMMY SYSTEM



Item	Description	Dimension and thickness	Weight per package	Application	Sales unit
	90° bent hanger Ø 3.9 mm Gummy System			suspended ceiling	50 total pieces 1 package
<b>GS00510</b>		L 255 Ø 3.9	1.70		
<b>GS00509</b>		L 505 Ø 3.9	3.40		
<b>GS00511</b>		L 755 Ø 3.9	5.10		
<b>GS00512</b>		L 1005 Ø 3.9	6.80		



axonometric view scale 1:2



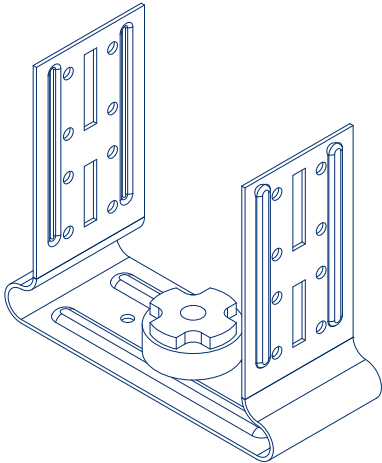
front view scale 1:2



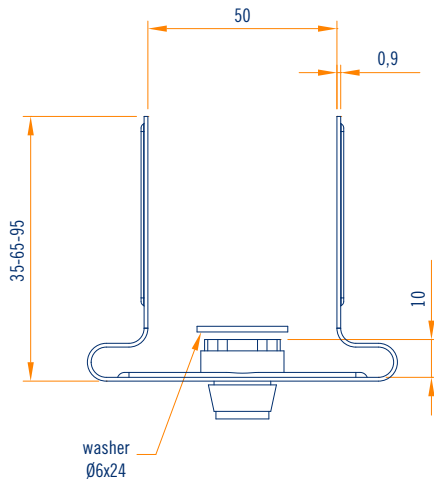
# ADJUSTABLE UNIVERSAL BRACKET GUMMY SYSTEM

C/27/48/27 BA-BS  
50X35-65-95

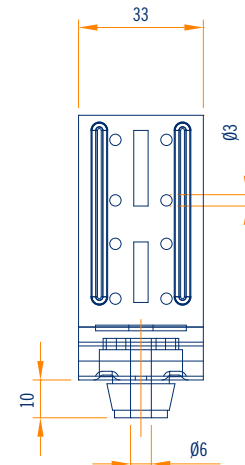
Item	Description	Dimension and thickness	Weight per package	Application	Sales unit
	adjustable universal bracket Gummy System C/27/48/27 BA-BS			double wall	50 total pieces 1 package
<b>GS00504</b>	50x35	d 40 s 0.9	2.20		
<b>GS00505</b>	50x65	d 70 s 0.9	2.82		
<b>GS00506</b>	50x95	d 100 s 0.9	3.55		



axonometric view scale 1:2



front view scale 1:2

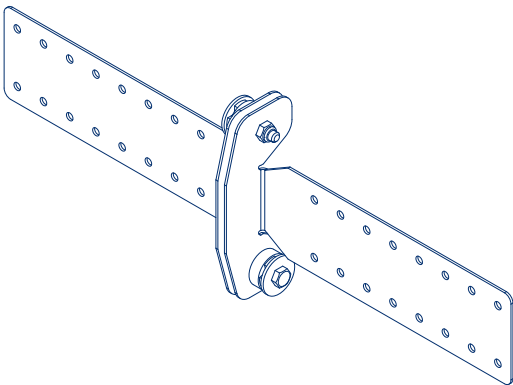


side view scale 1:2

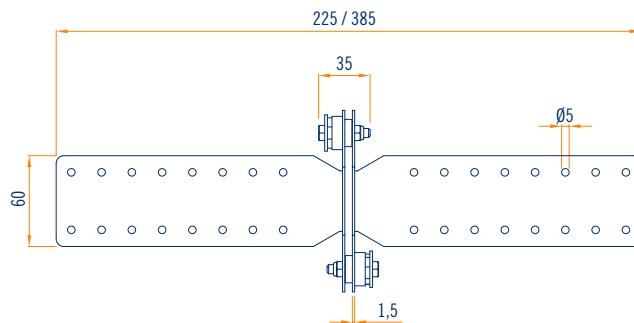
# CONNECTION BRACKET GUMMY SYSTEM

60x225-385

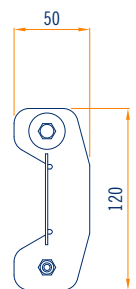
Item	Description	Dimension and thickness	Weight per package	Application	Sales unit
	connection bracket Gummy System			connecting metal structures double wall	20 total pieces 1 package
<b>GS00516</b>	60x225	d 225 s 1.5	6.15		
<b>GS00515</b>	60x385	d 385 s 1.5	8.15		



axonometric view scale 1:5



front view scale 1:5



side view scale 1:5

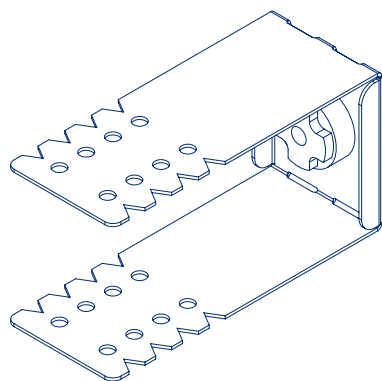
# ADJUSTABLE BRACKET WITH THROUGH-HOLE Ø 7 GUMMY SYSTEM

C/27/48/27 BA-BS

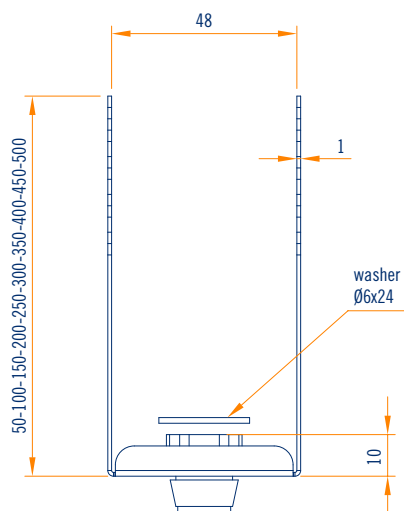
48X50-100-150-200-250-300-350-400-450-500



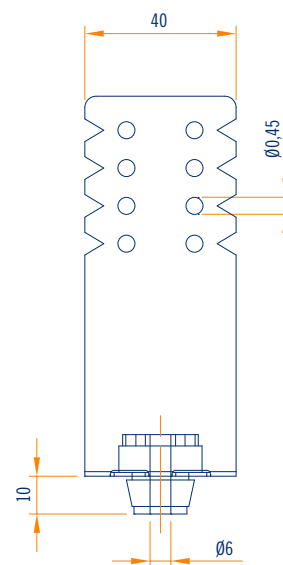
Item	Description	Dimension and thickness	Weight per package	Application	Sales unit
	adjustable bracket with through-hole Ø 7 Gummy System C/27/48/27 BA-BS			suspended ceiling double wall	
<b>GS00520</b>	48x50	d 55 s 1	2.62		50 total pieces 1 package
<b>GS00521</b>	48x100	d 105 s 1	4.17		50 total pieces 1 package
<b>GS00522</b>	48x150	d 155 s 1	2.55		20 total pieces 1 package
<b>GS00523</b>	48x200	d 205 s 1	3.31		20 total pieces 1 package
<b>GS00524</b>	48x250	d 255 s 1	3.90		20 total pieces 1 package
<b>GS00525</b>	48x300	d 305 s 1	4.52		20 total pieces 1 package
<b>GS00526</b>	48x350	d 355 s 1	6.30		20 total pieces 1 package
<b>GS00527</b>	48x400	d 405 s 1	7.15		20 total pieces 1 package
<b>GS00528</b>	48x450	d 455 s 1	8.00		20 total pieces 1 package
<b>GS00529</b>	48x500	d 505 s 1	8.80		20 total pieces 1 package



axonometric view scale 1:2



front view scale 1:2



side view scale 1:2

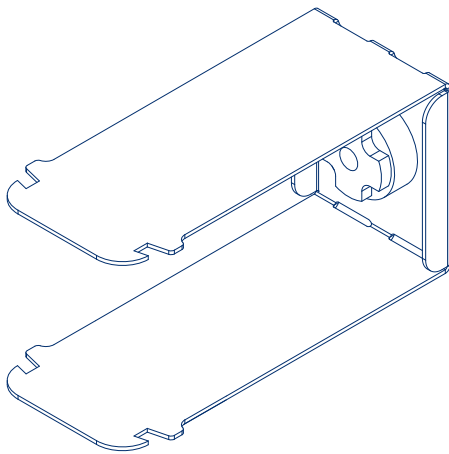


# CLICK-ON BRACKET WITH THROUGH-HOLE Ø 7 ROUNDED EDGE GUMMY SYSTEM

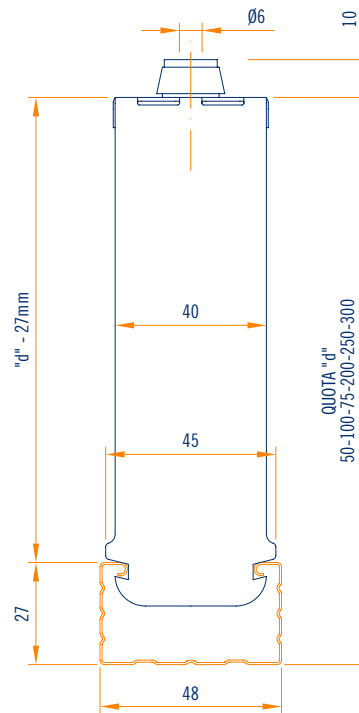
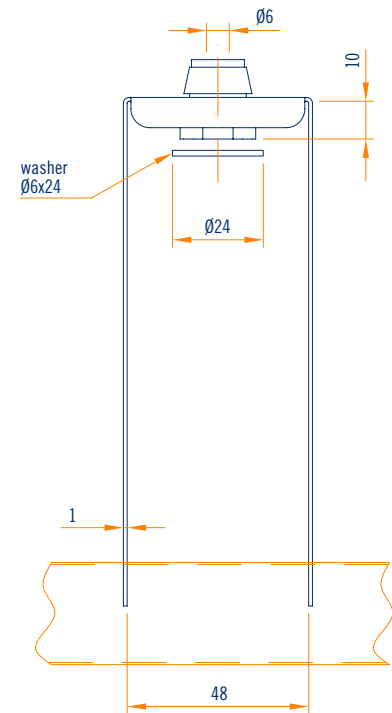
C/27/48/27 BA

40X50-100-150-200-250-300

Item	Description	Dimension and thickness	Weight per package	Application	Sales unit
	click-on bracket with through-hole Ø 7 Gummy System C/27/48/27 BA			suspended ceiling double wall	
<b>GS00600</b> (BA)	40x50	d 55 s 1	2.62		50 total pieces 1 package
<b>GS00601</b> (BA)	40x100	d 105 s 1	4.17		50 total pieces 1 package
<b>GS00602</b> (BA)	40x150	d 155 s 1	2.55		20 total pieces 1 package
<b>GS00603</b> (BA)	40x200	d 205 s 1	3.31		20 total pieces 1 package
<b>GS00604</b> (BA)	40x250	d 255 s 1	3.90		20 total pieces 1 package
<b>GS00605</b> (BA)	40x300	d 305 s 1	4.52		20 total pieces 1 package



axonometric view scale 1:2

front view scale 1:2  
special assembly with C/27/48/27 BAside view scale 1:2  
special assembly with C/27/48/27 BA

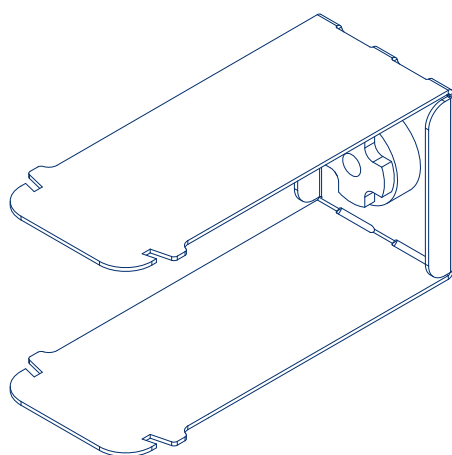
# CLICK-ON BRACKET WITH THROUGH-HOLE Ø 7 FLATTENED EDGE GUMMY SYSTEM

C/27/48/27 BS

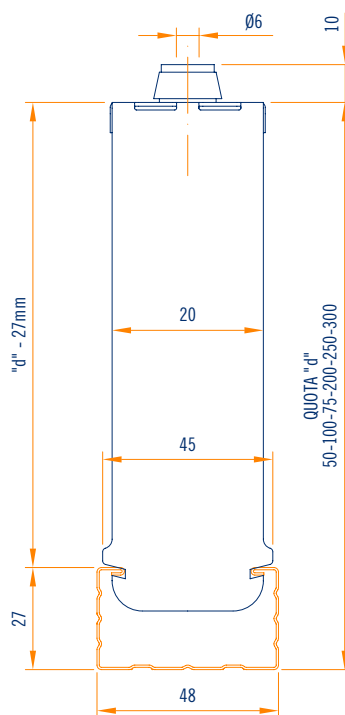
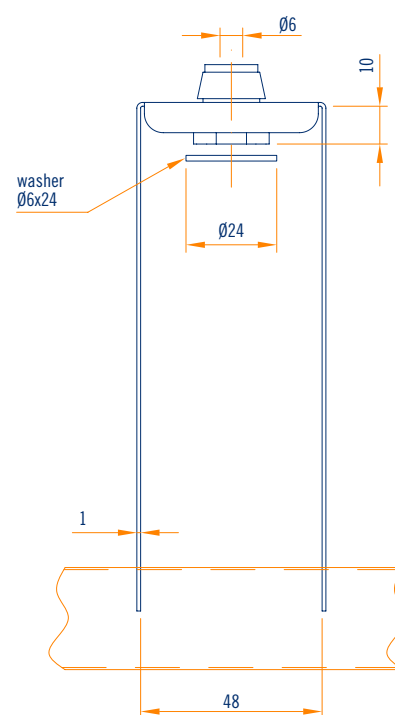
40X50-100-150-200-250-300



Item	Description	Dimension and thickness	Weight per package	Application	Sales unit
	click-on bracket with through-hole Ø 7 Gummy System C/27/48/27 BS			suspended ceiling double wall	
<b>GS00700</b> (BS)	40x50	d 55 s 1	2.62		50 total pieces 1 package
<b>GS00701</b> (BS)	40x100	d 105 s 1	4.17		50 total pieces 1 package
<b>GS00702</b> (BS)	40x150	d 155 s 1	2.55		20 total pieces 1 package
<b>GS00703</b> (BS)	40x200	d 205 s 1	3.31		20 total pieces 1 package
<b>GS00704</b> (BS)	40x250	d 255 s 1	3.90		20 total pieces 1 package
<b>GS00705</b> (BS)	40x300	d 305 s 1	4.52		20 total pieces 1 package



axonometric view scale 1:2

front view scale 1:2  
special assembly with C/27/48/27 BSside view scale 1:2  
special assembly with C/27/48/27 BS

# ADJUSTABLE BRACKET WITH THROUGH-HOLE Ø 7 GUMMY SYSTEM

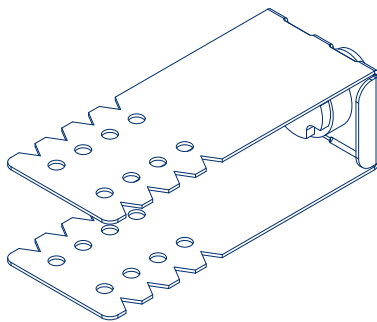
U/40/28/40

30X50-100-150-200-250-300-350-400-450-500

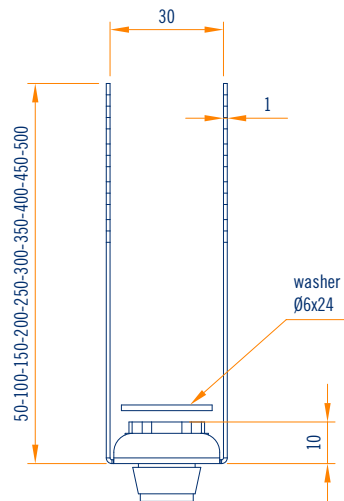
BASE 30



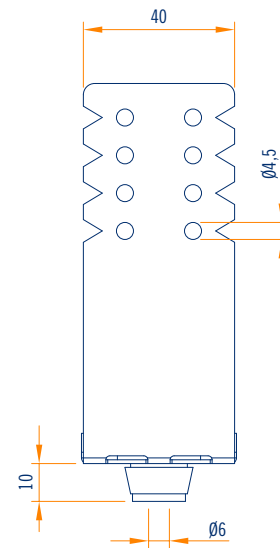
Item	Description	Dimension and thickness	Weight per package	Application	Sales unit
	adjustable bracket with through-hole $\varnothing$ 7 Gummy System U/40/28/40			suspended ceiling double wall	
<b>GS00530</b>	30x50	d 55 s 1	2.27		50 total pieces 1 package
<b>GS00531</b>	30x100	d 105 s 1	3.77		50 total pieces 1 package
<b>GS00532</b>	30x150	d 155 s 1	2.37		20 total pieces 1 package
<b>GS00533</b>	30x200	d 205 s 1	3.15		20 total pieces 1 package
<b>GS00534</b>	30x250	d 255 s 1	3.78		20 total pieces 1 package
<b>GS00535</b>	30x300	d 305 s 1	4.41		20 total pieces 1 package
<b>GS00536</b>	30x350	d 355 s 1	6.15		20 total pieces 1 package
<b>GS00537</b>	30x400	d 405 s 1	7.00		20 total pieces 1 package
<b>GS00538</b>	30x450	d 455 s 1	7.80		20 total pieces 1 package
<b>GS00539</b>	30x500	d 505 s 1	8.65		20 total pieces 1 package



axonometric view scale 1:2



front view scale 1:2



side view scale 1:2

# ADJUSTABLE BRACKET WITH THROUGH-HOLE Ø 7 GUMMY SYSTEM

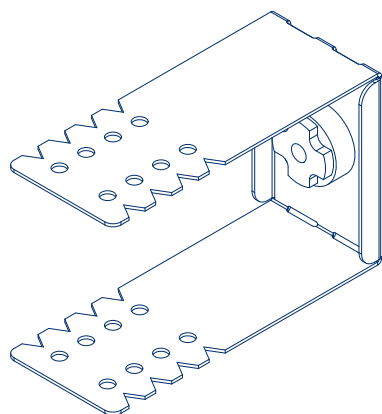
C/27/60/27 BI-BA

60X50-100-150-200-250-300-350-400-450-500

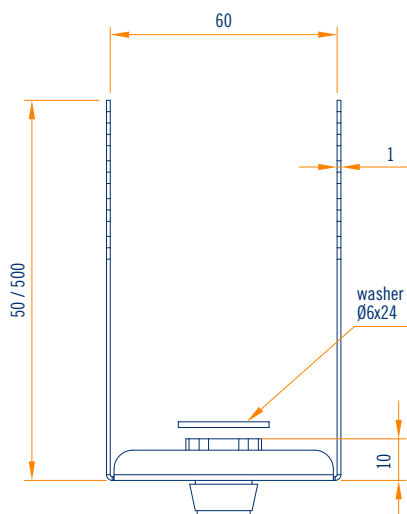
BASE 60



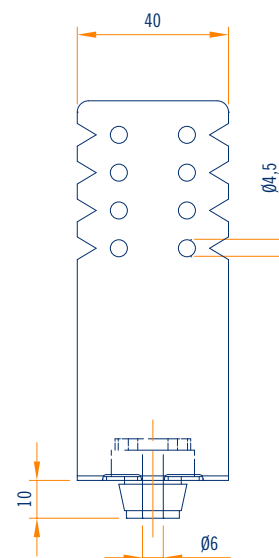
Item	Description	Dimension and thickness	Weight per package	Application	Sales unit
	adjustable bracket with through-hole $\varnothing$ 7 Gummy System C/27/60/27 BI-BA			suspended ceiling double wall	
<b>GS00800</b>	60x50	d 55 s 1	3.50		50 total pieces 1 package
<b>GS00801</b>	60x100	d 105 s 1	5.60		50 total pieces 1 package
<b>GS00802</b>	60x150	d 155 s 1	3.10		20 total pieces 1 package
<b>GS00803</b>	60x200	d 205 s 1	3.90		20 total pieces 1 package
<b>GS00804</b>	60x250	d 255 s 1	4.75		20 total pieces 1 package
<b>GS00805</b>	60x300	d 305 s 1	5.50		20 total pieces 1 package
<b>GS00806</b>	60x350	d 355 s 1	6.40		20 total pieces 1 package
<b>GS00807</b>	60x400	d 405 s 1	7.25		20 total pieces 1 package
<b>GS00808</b>	60x450	d 455 s 1	8.10		20 total pieces 1 package
<b>GS00809</b>	60x500	d 505 s 1	8.90		20 total pieces 1 package



axonometric view scale 1:2



front view scale 1:2



side view scale 1:2

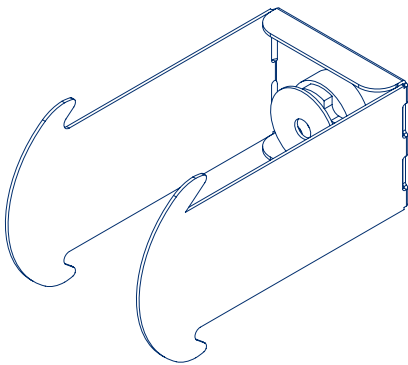
# CLICK-ON BRACKET GUMMY SYSTEM

C/27/60/27 BI-BA

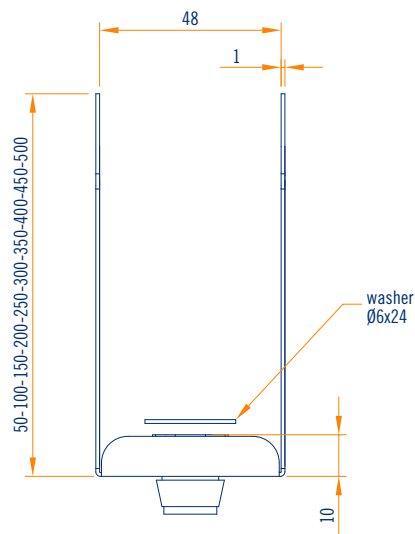
60X50-100-150-200-250-300-350-400-450-500



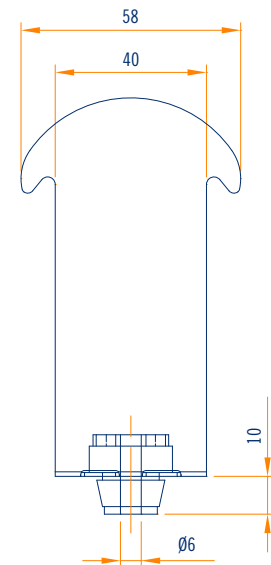
Item	Description	Dimension and thickness	Weight per package	Application	Sales unit
	click-on bracket Gummy System C/27/60/27 BI-BA			suspended ceiling double wall	
<b>GS00810</b>	60x50	d 55 s 1	3.50		50 total pieces 1 package
<b>GS00811</b>	60x100	d 105 s 1	5.60		50 total pieces 1 package
<b>GS00812</b>	60x150	d 155 s 1	3.10		20 total pieces 1 package
<b>GS00813</b>	60x200	d 205 s 1	3.90		20 total pieces 1 package
<b>GS00814</b>	60x250	d 255 s 1	4.75		20 total pieces 1 package
<b>GS00815</b>	60x300	d 305 s 1	5.50		20 total pieces 1 package
<b>GS00816</b>	60x350	d 355 s 1	6.40		20 total pieces 1 package
<b>GS00817</b>	60x400	d 405 s 1	7.25		20 total pieces 1 package
<b>GS00818</b>	60x450	d 455 s 1	8.10		20 total pieces 1 package
<b>GS00819</b>	60x500	d 505 s 1	8.90		20 total pieces 1 package



axonometric view scale 1:2



front view scale 1:2



side view scale 1:2

# IMPORTANT RECOMMENDATIONS FOR USING AND STORING PRODUCTS

## CE Marking

Please note that each product is part of a hanging/connection kit for connecting to the upper anchoring system and to the supporting element in dry construction systems **for use inside buildings**. The various components are identified in the catalogue and price list with the CE logo.

**Each CE product has a Declaration of Performance (DOP).**

**Durability: class B** (Components of a building exposed to variable relative humidity up to 90% and to variable temperatures up to 30°C but with no exposure to corrosive pollution agents).

## Recommendations for storing metal framing elements

We recommend to store packages in a covered area with a relatively dry atmosphere and as constant a temperature as possible, to avoid condensation that could consume the passivation coat protecting the galvanised surface.

If stored outdoors (**not recommended**), please cover so as to ensure the material is fully protected against adverse weather conditions (rain, fog, snow), making sure the packages are stored in a slightly inclined position. The cover must nevertheless ensure sufficient airflow (the two surfaces must not be in direct contact) so that moisture does not settle and create condensation.





**Metalstampi s.r.l.**  
Vicolo Biban, 7  
31030 Biban di Carbonera (TV) Italy  
Tel. +39 0422 398250  
export@metalstampi.com  
www.metalstampi.com