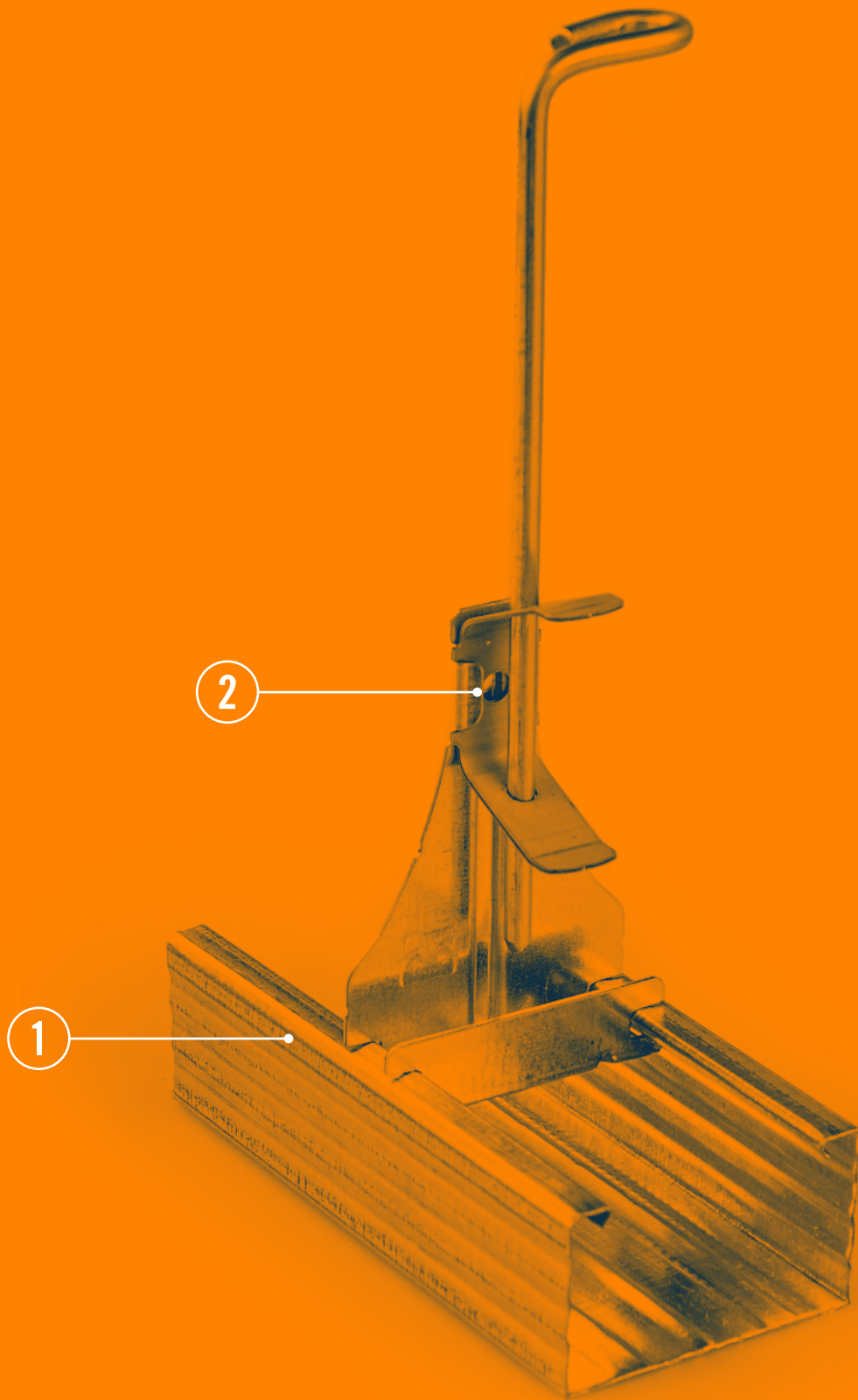

FASTENING SYSTEMS CONNECT STEEL



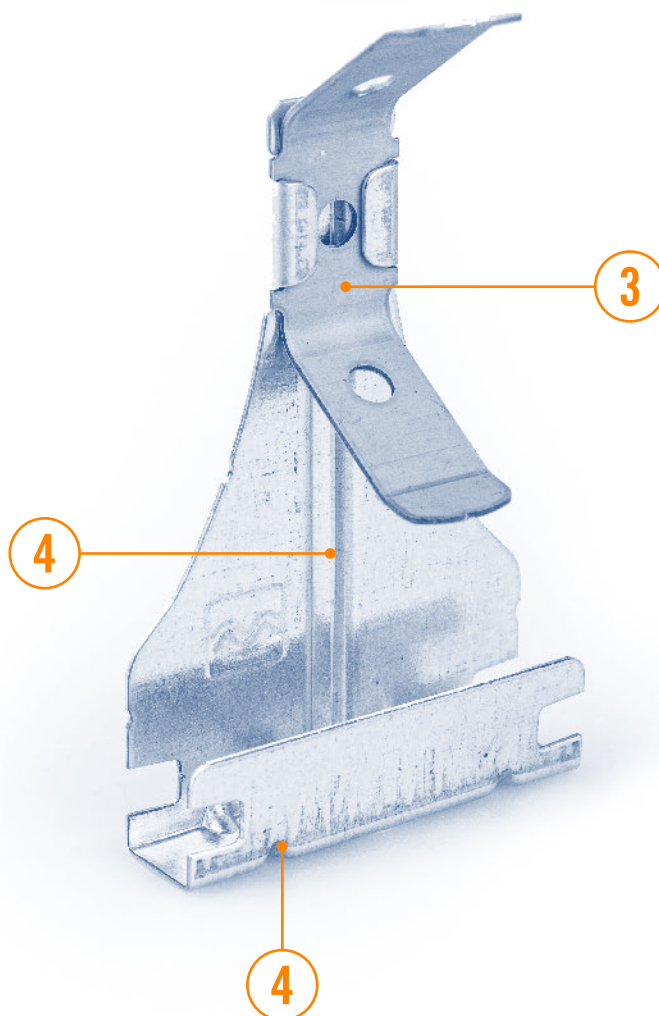
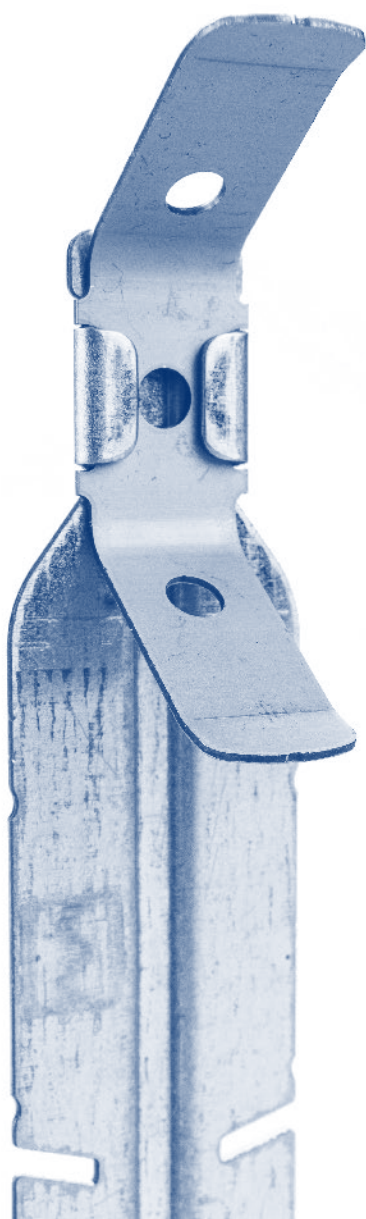
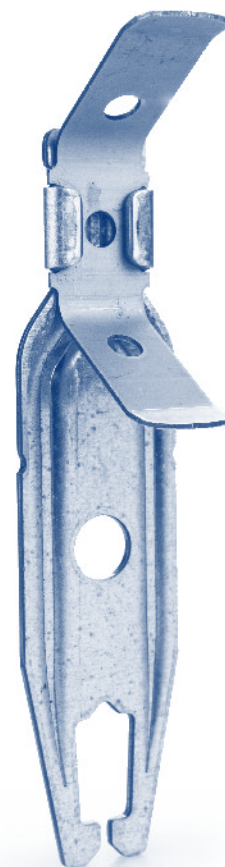
METALSTAMPI

FASTENING SYSTEMS CONNECT STEEL

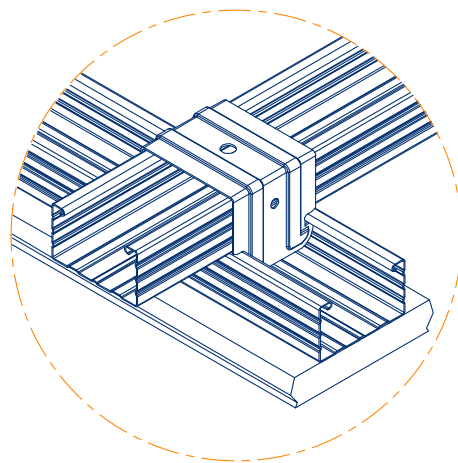
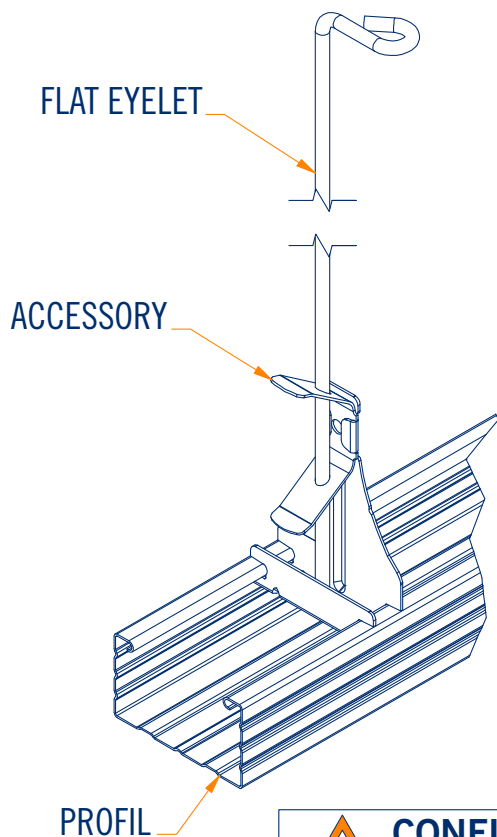
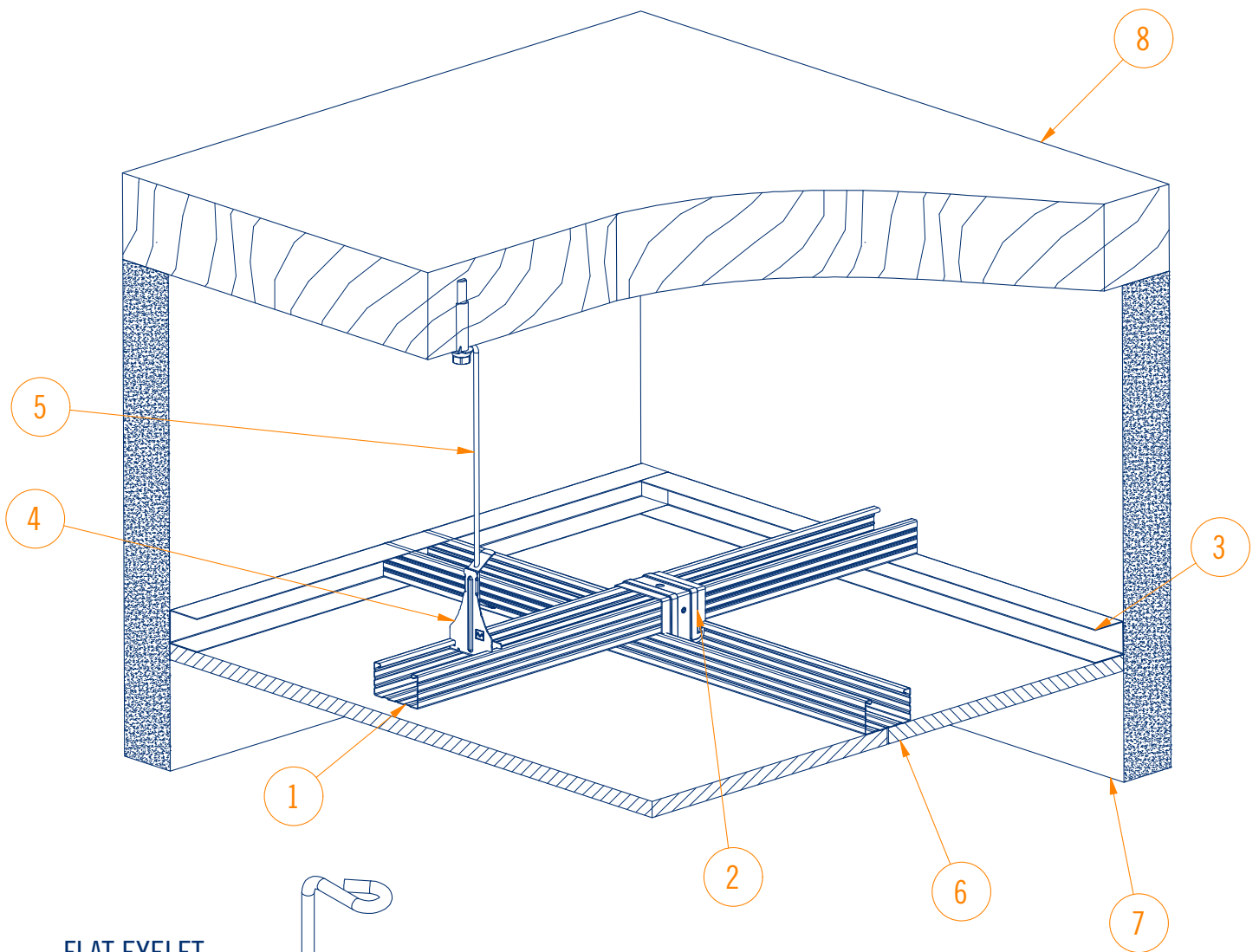


STRENGTHS

- 1— Compliance to mandatory CE marking and EU standard EN 13964 (“Suspended ceilings - Requirement and test methods”) carried out by using accessory kits and profiles produced by Metalstampi.
- 2— Optimised product dimensions: less space taken up in the cavity.
- 3— New adjustment spring configuration: quick adjustments.
- 4— New structural ribs: smaller deformations of the product.
- 5— Energy saving: reduction of the use of steel in manufacturing.

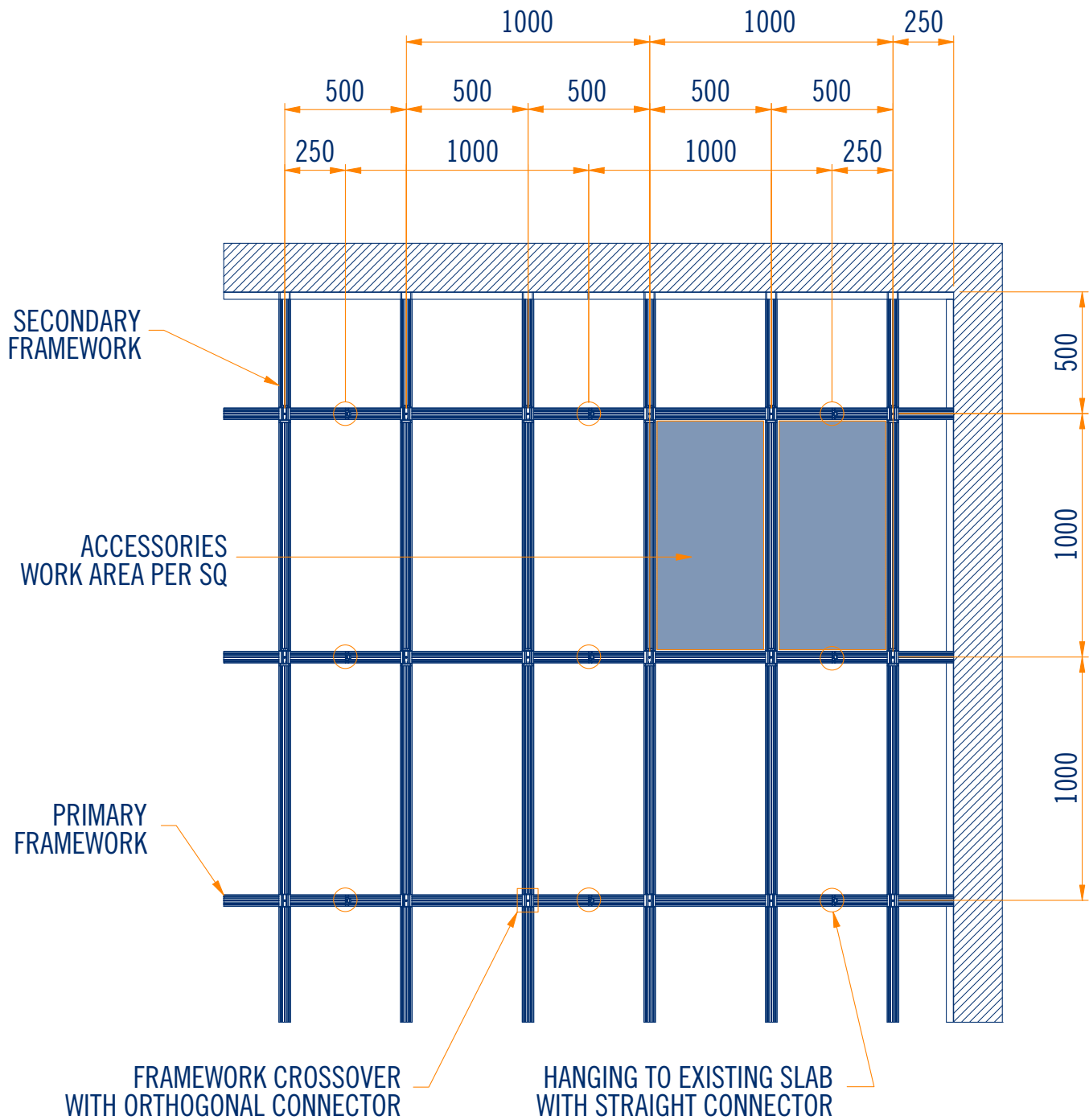


AXONOMETRIC VIEW APPLICATION METALSTAMPI CEILING PRODUCTS



 **CONFIGURATIONS OF METALSTAMPI KITS**
CE MARKING PURSUANT TO EN 13964
valid only with products featuring the Metalstampi

ASSEMBLY DIAGRAM



Pos.	Description	Item
1	C-STUD C/27/48/27/3000/0.6 BA	PC50273000BA
2	CLICK-ON ORTHOGONAL CONNECTOR	113/P100 BA
3	U-TRACK U/30/28/30/3000/0.6	PU2830
4	SPRING CONNECTOR EVOLUTION C/15/48/15 - C/27/48/27 BA	600/P100 BA
5	90° BENT HANGER Ø3.9 L= 250 mm	129/P100
6	PLASTERBOARD COVERING	
7	WALLS	
8	SLAB	

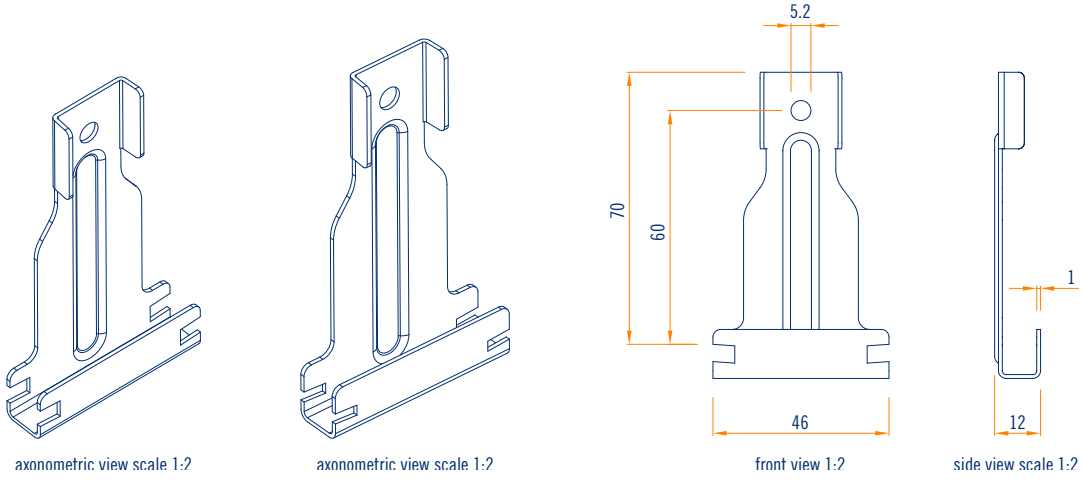
STRAIGHT CONNECTOR

C/15/48/15 BA-BS - C/27/48/27 BA-BS

BASE 48



Item	Description	Dimension and thickness	Weight per package	Application	Sales unit
001/P100 (BA) 089/P100 (BS)	straight connector with through-hole $\varnothing 5$ C/15/48/15 C/27/48/27	s 1	2.90	suspended ceiling	100 total pieces 1 package

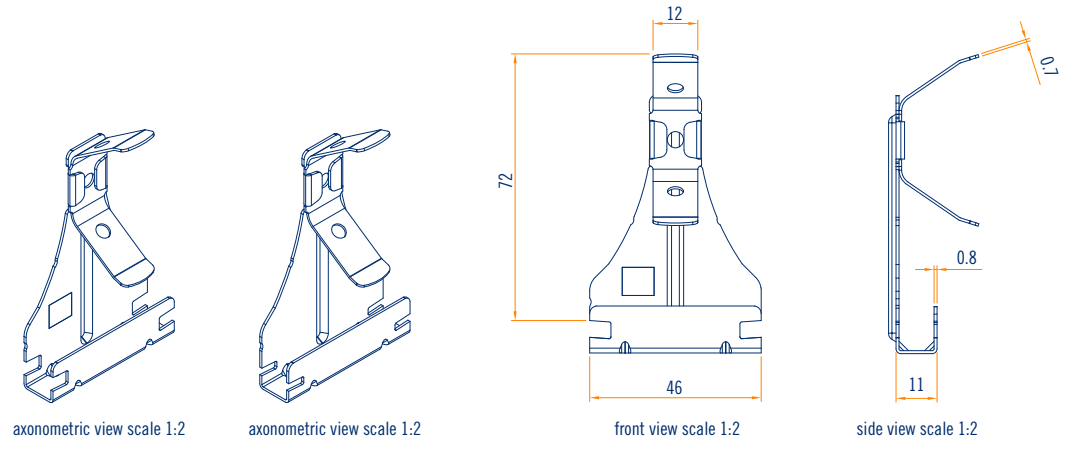


SPRING CONNECTOR EVOLUTION

C/15/48/15 BA-BS - C/27/48/27 BA-BS



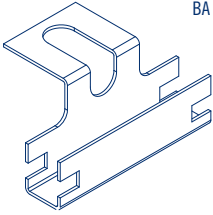
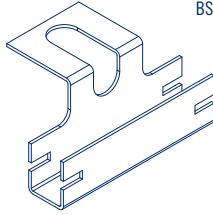
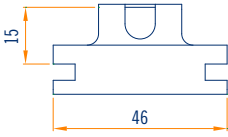
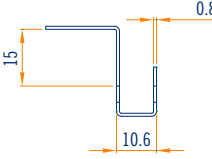
Item	Description	Dimension and thickness	Weight per package	Application	Sales unit
600/P100 (BA) 601/P100 (BS)	spring connector EVOLUTION C/15/48/15 C/27/48/27	spring s 0.7 connector s 0.8	2.45	suspended ceiling	100 total pieces 1 package

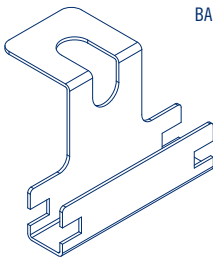
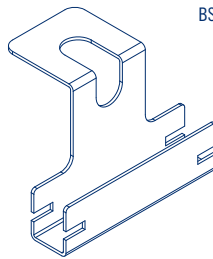
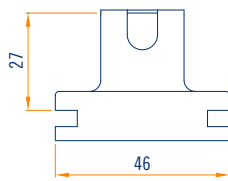
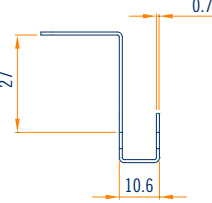


ORTHOGONAL CONNECTOR

C/15/48/15 BA-BS - C/27/48/27 BA-BS



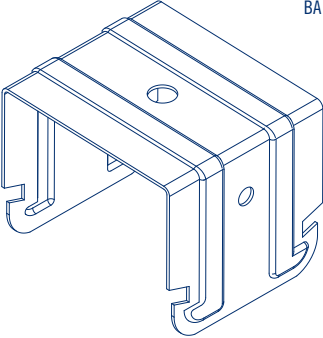
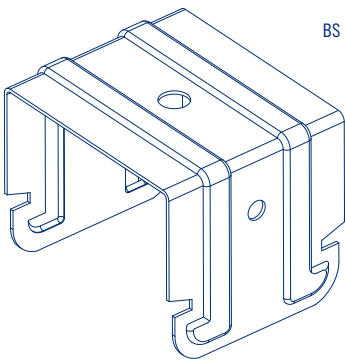
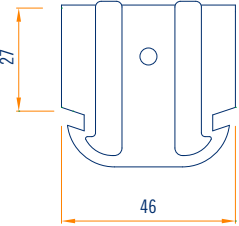
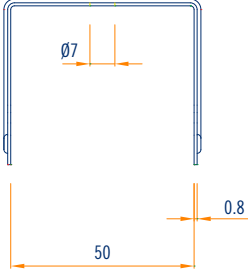
Item	Description	Dimension and thickness	Weight per package	Application	Sales unit
006/P100 (BA) 067/P100 (BS)	orthogonal connector	d 15 s 0.8	1.40	suspended ceiling	100 total pieces 1 package
C/15/48/15					
					
axonometric view scale 1:2	axonometric view scale 1:2	front view scale 1:2	side view scale 1:2		

Item	Description	Dimension and thickness	Weight per package	Application	Sales unit
007/P100 (BA) 057/P100 (BS)	orthogonal connector	d 27 s 0.7	1.50	suspended ceiling	100 total pieces 1 package
C/27/48/27					
					
axonometric view scale 1:2	axonometric view scale 1:2	front view scale 1:2	side view scale 1:2		

CLICK-ON ORTHOGONAL CONNECTOR

C/27/48/27 BA-BS

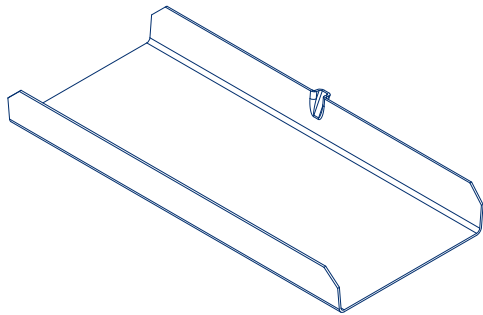


Item	Description	Dimension and thickness	Weight per package	Application	Sales unit
113/P100 (BA) 114/P100 (BS)	click-on orthogonal connector	d 27 s 0.8	4.8	suspended ceiling	100 total pieces 1 package
C/27/48/27					
					
axonometric view scale 1:2	axonometric view scale 1:2	front view scale 1:2	side view scale 1:2		

LONGITUDINAL JOINT

C/15/48/15 BA-BS - C/27/48/27 BA-BS

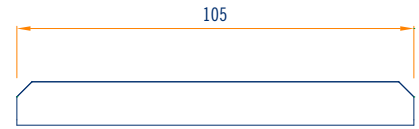
Item	Description	Dimension and thickness	Weight per package	Application	Sales unit
008/P100	longitudinal joint C/15/48/15 BA-BS	d 15 s 0.6	3.20	suspended ceiling double wall	100 total pieces 1 package



axonometric view scale 1:2

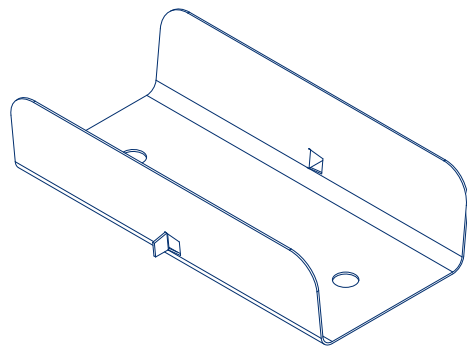


front view scale 1:2

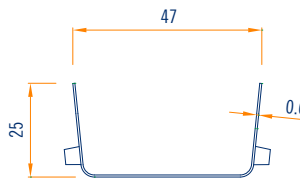


side view scale 1:2

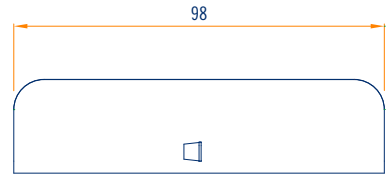
009/P100	longitudinal joint C/27/48/27 BA-BS	d 27 s 0.6	4.70	suspended ceiling double wall	100 total pieces 1 package
-----------------	--	---------------	------	----------------------------------	-------------------------------



axonometric view scale 1:2



front view scale 1:2

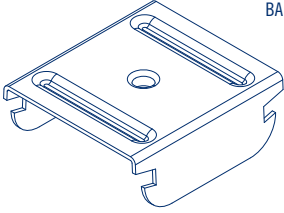
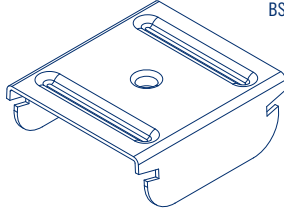
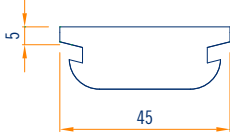
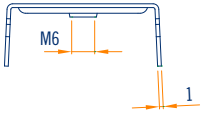


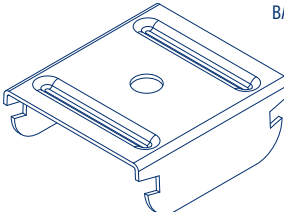
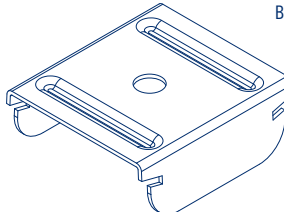
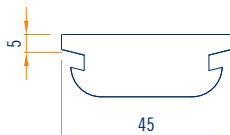
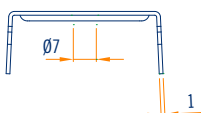
side view scale 1:2

SPACER CONNECTOR

C/15/48/15 BA-BS - C/27/48/27 BA-BS



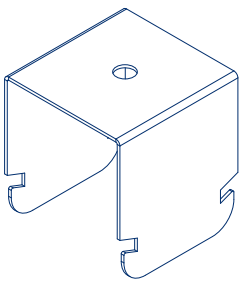
Item	Description	Dimension and thickness	Weight per package	Application	Sales unit
035/P100 (BA) 056/P100 (BS)	spacer connector with M6 threaded hole	d 5 s 1	3.10	suspended ceiling double wall	100 total pieces 1 package
	C/15/48/15 C/27/48/27				
					
axonometric view scale 1:2	axonometric view scale 1:2	front view scale 1:2	side view scale 1:2		

091/P100 (BA) 092/P100 (BS)	spacer connector with through-hole $\varnothing 7$	d 5 s 1	3.10	suspended ceiling double wall	100 total pieces 1 package
	C/15/48/15 C/27/48/27				
					
axonometric view scale 1:2	axonometric view scale 1:2	front view scale 1:2	side view scale 1:2		

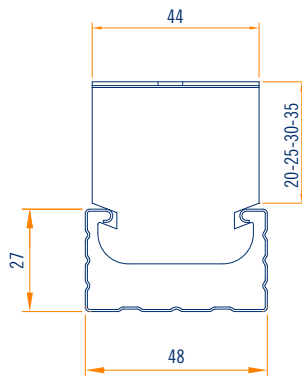
SPACER CONNECTOR

C/15/48/15 BA-BS - C/27/48/27 BA-BS

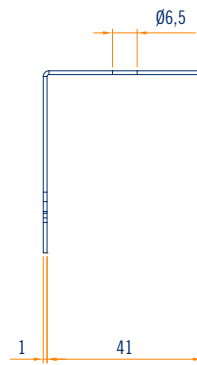
Item	Description	Dimension and thickness	Weight per package	Application	Sales unit
101/P100 (BA)	spacer connector with through-hole \varnothing 6.5 - d 20	d 20 s 1	3.90	suspended ceiling double wall	100 total pieces 1 package
102/P100 (BA)	spacer connector with through-hole \varnothing 6.5 - d 25	d 25 s 1	4.20		
103/P100 (BA)	spacer connector with through-hole \varnothing 6.5 - d 30	d 30 s 1	4.60		
104/P100 (BA)	spacer connector with through-hole \varnothing 6.5 - d 35 C/15/48/15 BA C/27/48/27 BA	d 35 s 1	5.00		



axonometric view scale 1:2

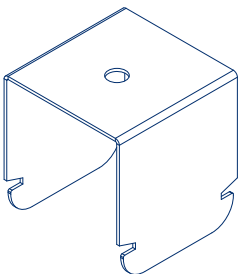


front view scale 1:2

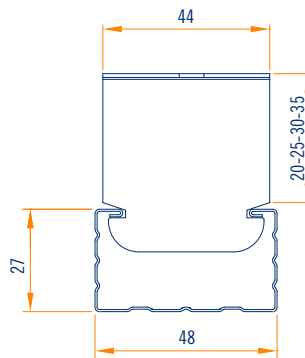


side view scale 1:2

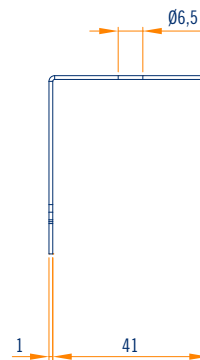
105/P100 (BS)	spacer connector d 20	d 20 s 1	3.90	suspended ceiling double wall	100 total pieces 1 package
106/P100 (BS)	spacer connector d 25	d 25 s 1	4.20		
107/P100 (BS)	spacer connector d 30	d 30 s 1	4.60		
108/P100 (BS)	spacer connector d 35 C/15/48/15 BS C/27/48/27 BS	d 35 s 1	5.00		



axonometric view scale 1:2



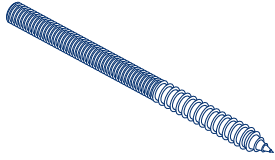
front view scale 1:2



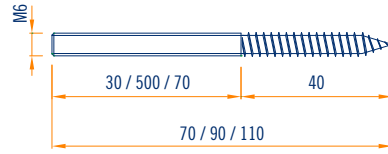
side view scale 1:2

SCREW, NUT, PLUG

Item	Description	Dimension and thickness	Weight per package	Application	Sales unit
059/P100	screw connectors 6x70	d 70	1.20	double wall	100 total pieces 1 package
013/P100	screw connectors 6x90	d 90	1.51		
014/P100	screw connectors 6x110	d 110	1.84		



axonometric view scale 1:2



side view scale 1:2

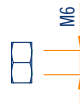
088/P100	galvanized nut Ø M6	d Ø6	0.30	double wall	100 total pieces 1 package
----------	---------------------	------	------	-------------	-------------------------------



axonometric view scale 1:2

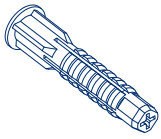


front view scale 1:2

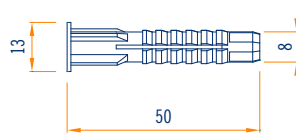


side view scale 1:2

016/P100	universal plug Ø 8x50	d 8x50	0.20	double wall	100 total pieces 1 package
----------	-----------------------	--------	------	-------------	-------------------------------



axonometric view scale 1:2



side view scale 1:2

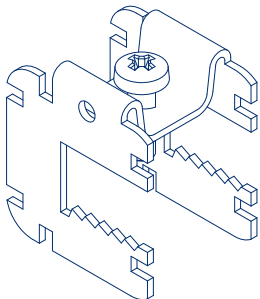
MULTIFIX FASTENING CONNECTOR

C/27/48/27 BA

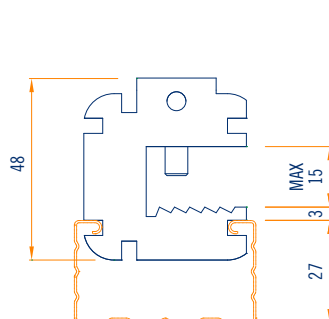


Item	Description	Dimension and thickness	Weight per package	Application	Sales unit
127/P100 (BA)	multifix fastening connector	s 1.8	5.80	suspended ceiling double wall	100 total pieces 1 package

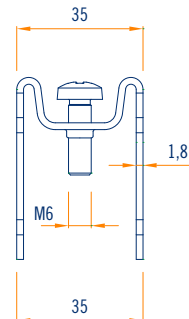
C/27/48/27 BA



axonometric view scale 1:2



front view scale 1:2

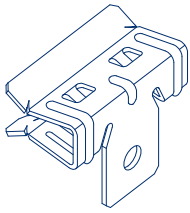


side view scale 1:2

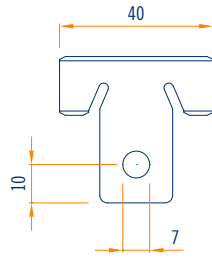
ANCHORING CLIP FOR BEAMS



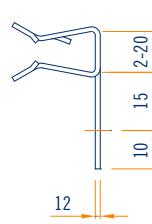
Item	Description	Dimension and thickness	Weight per package	Application	Sales unit
121/P100	anchoring clip for beams thickness 2-3	s 1.2	0.74	suspended ceiling	100 total pieces 1 package
122/P100	anchoring clip for beams thickness 3-7		1.37		
123/P100	anchoring clip for beams thickness 8-13		1.58		
124/P100	anchoring clip for beams thickness 14-20		1.77		



axonometric view scale 1:2



front view scale 1:2



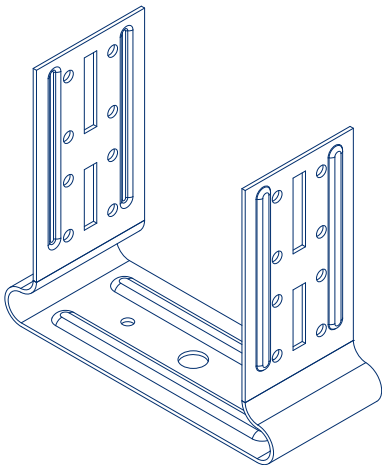
side view scale 1:2

ADJUSTABLE UNIVERSAL BRACKET FROM 50

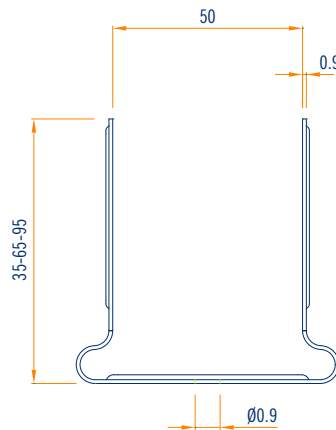
C/27/48/27 BA-BS

Item	Description	Dimension and thickness	Weight per package	Application	Sales unit
037/P100	universal bracket 50x35	s 0.9 d 50x35	4.20	double wall	100 total pieces 1 package
038/P100	universal bracket 50x65	s 0.9 d 50x65	5.50		
068/P100	universal bracket 50x95	s 0.9 d 50x95	6.50		

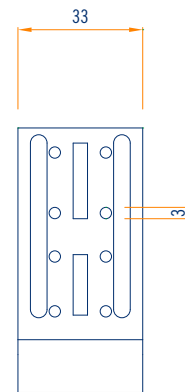
C/27/48/27 BA-BS



axonometric view scale 1:2



front view scale 1:2



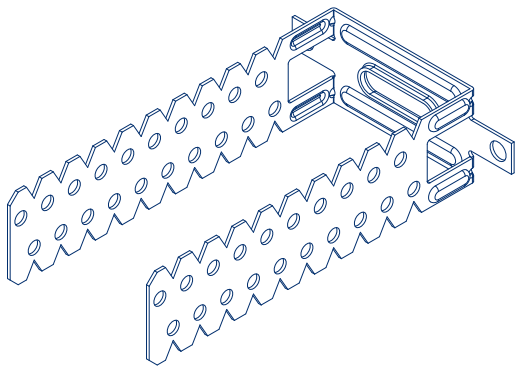
side view scale 1:2



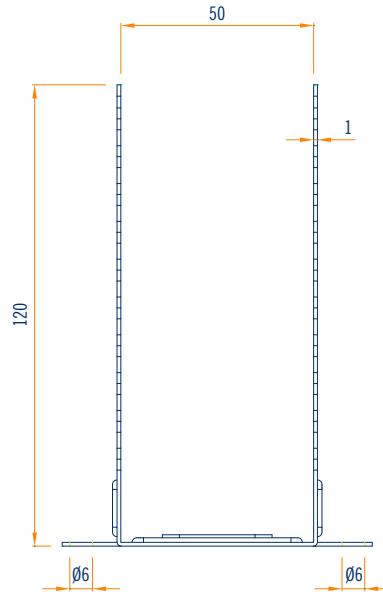
ADJUSTABLE BRACKET 50X120

C/27/48/27 BA-BS

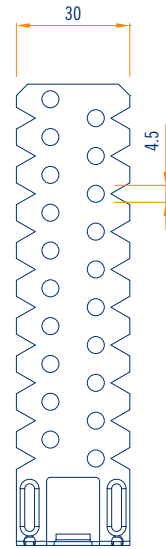
Item	Description	Dimension and thickness	Weight per package	Application	Sales unit
126/P100	adjustable bracket 50x120 C/27/48/27 BA-BS	d 50x120 s 1	5.80	suspended ceiling double wall	100 total pieces 1 package



axonometric view scale 1:2



front view scale 1:2



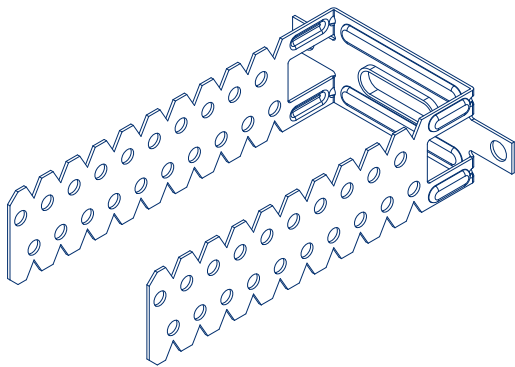
side view scale 1:2

ADJUSTABLE BRACKET 50X120 EVOLUTION

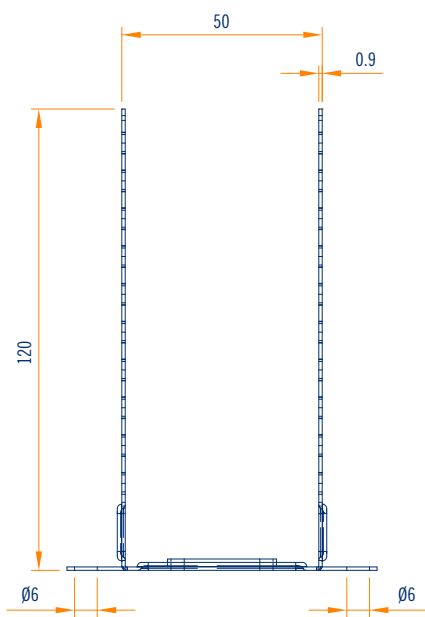
C/27/48/27 BA-BS



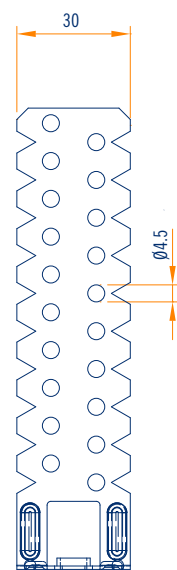
Item	Description	Dimension and thickness	Weight per package	Application	Sales unit
603/P100	adjustable bracket 50x120 EVOLUTION C/27/48/27 BA-BS	d 50x120 s 0.9	5.10	suspended ceiling double wall	100 total pieces 1 package



axonometric view scale 1:2



front view scale 1:2



side view scale 1:2

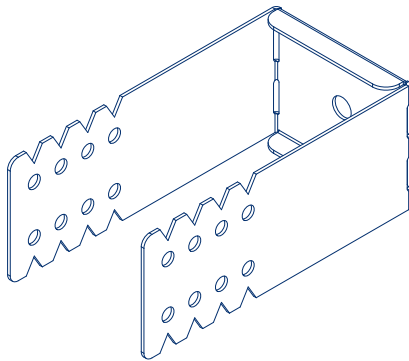
ADJUSTABLE BRACKET WITH THROUGH-HOLE Ø 7

C/27/48/27 BA-BS

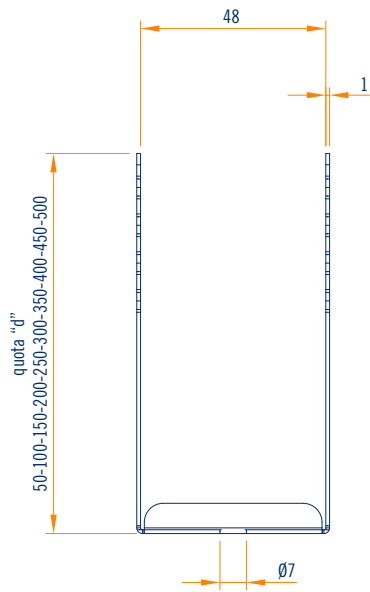
48X50-100-150-200-250-300-350-400-450-500



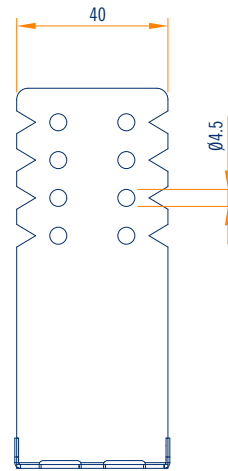
Item	Description	Dimension and thickness	Weight per package	Application	Sales unit
	adjustable bracket with through-hole Ø 7 C/27/48/27 BA-BS			suspended ceiling double wall	
260/P050	48x50	d 50 s 1	2.62		50 total pieces 1 package
261/P050	48x100	d 100 s 1	4.17		50 total pieces 1 package
262/P020	48x150	d 150 s 1	2.55		20 total pieces 1 package
263/P020	48x200	d 200 s 1	3.31		20 total pieces 1 package
264/P020	48x250	d 250 s 1	3.90		20 total pieces 1 package
265/P020	48x300	d 300 s 1	4.52		20 total pieces 1 package
266/P020	48x350	d 350 s 1	6.30		20 total pieces 1 package
267/P020	48x400	d 400 s 1	7.15		20 total pieces 1 package
268/P020	48x450	d 450 s 1	8.00		20 total pieces 1 package
269/P020	48x500	d 500 s 1	8.90		20 total pieces 1 package



axonometric view scale 1:2



front view scale 1:2



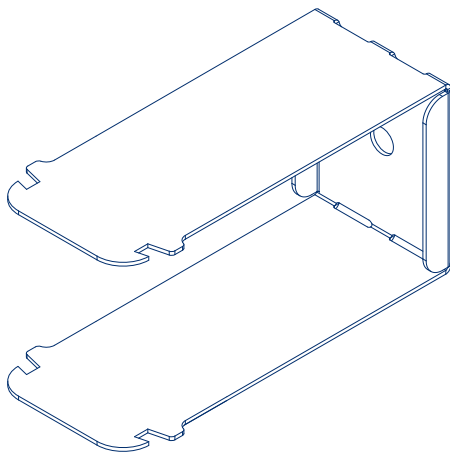
side view scale 1:2

CLICK-ON BRACKET WITH Ø 7 THROUGH-HOLE

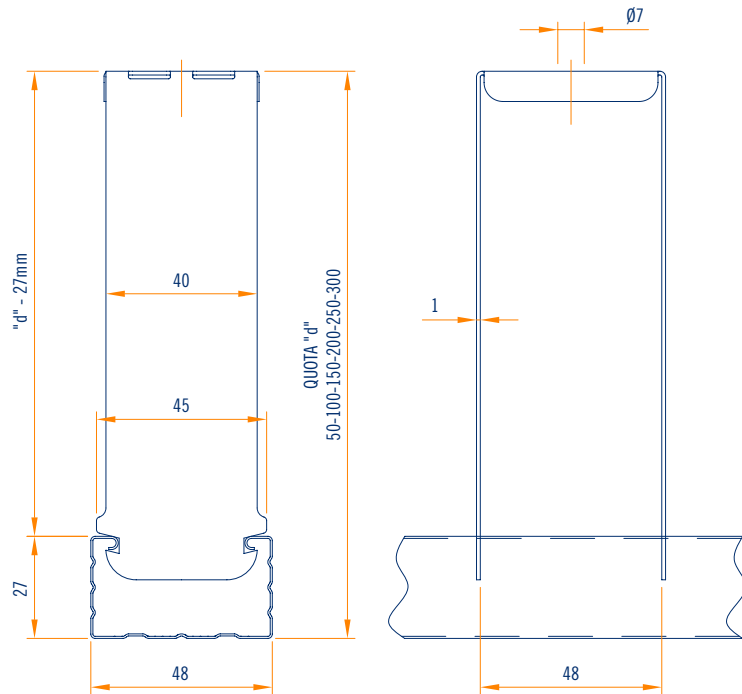
C/27/48/27 BA

40x50-100-150-200-250-300

Item	Description	Dimension and thickness	Weight per package	Application	Sales unit
	click-on bracket with Ø 7 through-hole rounded edge C/27/48/27 BA			suspended ceiling double wall	
310/P050 (BA)	40x50	d 50 s 1	2.62		50 total pieces 1 package
311/P050 (BA)	40x100	d 100 s 1	4.17		50 total pieces 1 package
312/P020 (BA)	40x150	d 150 s 1	2.55		20 total pieces 1 package
313/P020 (BA)	40x200	d 200 s 1	3.31		20 total pieces 1 package
314/P020 (BA)	40x250	d 250 s 1	3.90		20 total pieces 1 package
315/P020 (BA)	40x300	d 300 s 1	4.52		20 total pieces 1 package



axonometric view scale 1:2



front view scale 1:2

side view scale 1:2

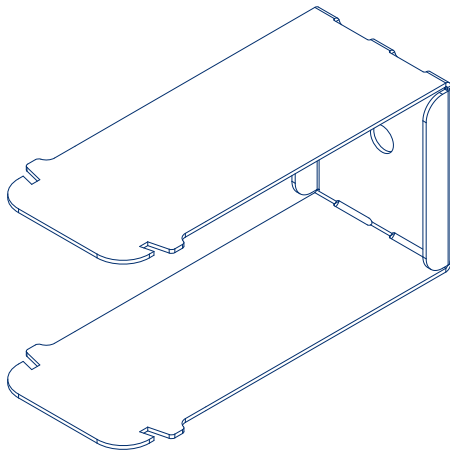
CLICK-ON BRACKET WITH Ø 7 THROUGH-HOLE FLATTENED EDGE

C/27/48/27 BS

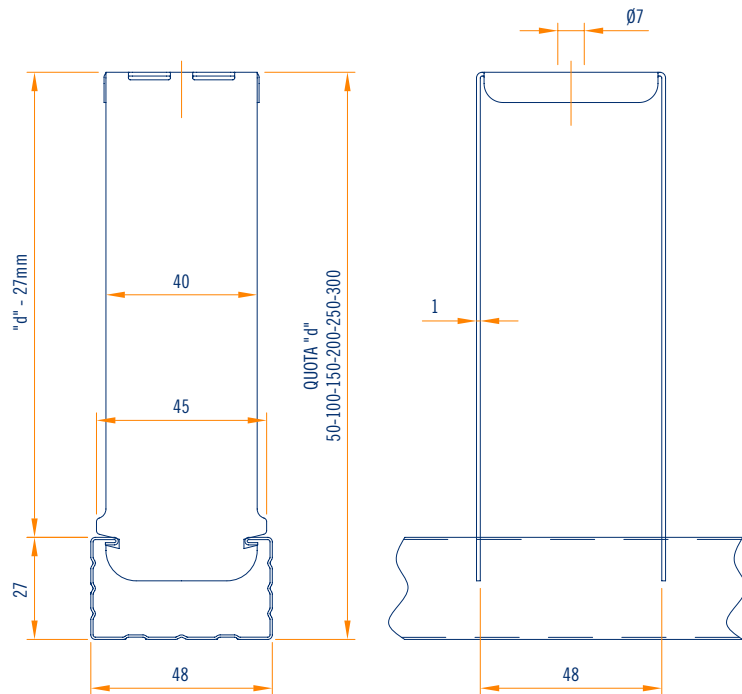
40x50-100-150-200-250-300



Item	Description	Dimension and thickness	Weight per package	Application	Sales unit
	click-on bracket with Ø 7 through-hole flattened edge C/27/48/27 BS			suspended ceiling double wall	
320/P050 (BS)	40x50	d 50 s 1	2.62		50 total pieces 1 package
321/P050 (BS)	40x100	d 100 s 1	4.17		50 total pieces 1 package
322/P020 (BS)	40x150	d 150 s 1	3.31		20 total pieces 1 package
323/P020 (BS)	40x200	d 200 s 1	2.55		20 total pieces 1 package
324/P020 (BS)	40x250	d 250 s 1	3.90		20 total pieces 1 package
325/P020 (BS)	40x300	d 300 s 1	4.52		20 total pieces 1 package



axonometric view scale 1:2



front view scale 1:2

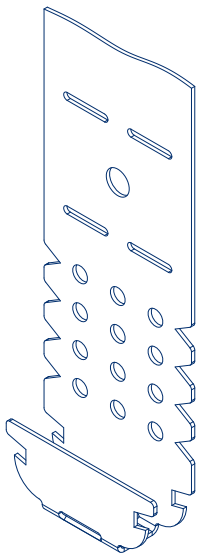
side view scale 1:2



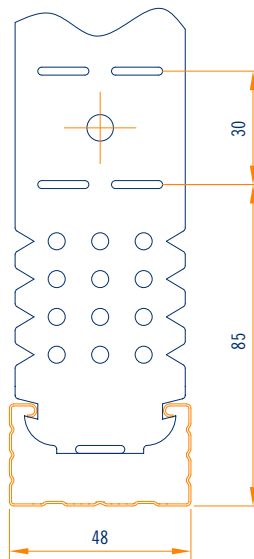
ADJUSTABLE MULTIBRACKET

C/27/48/27 BA-BS
45x290-320-350-380-410

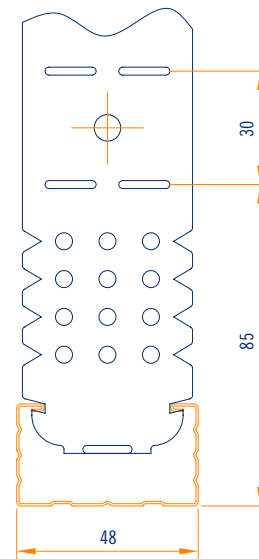
Item	Description	Dimension and thickness	Weight per package	Application	Sales unit
	adjustable multibracket C/27/48/27 BA-BS			suspended ceiling double wall	
330/P050	45x290	d 290 s 1	5.51		50 total pieces 1 package
331/P050	45x320	d 320 s 1	6.04		50 total pieces 1 package
332/P020	45x350	d 350 s 1	2.81		20 total pieces 1 package
333/P020	45x380	d 380 s 1	3.02		20 total pieces 1 package
334/P020	45x410	d 410 s 1	3.23		20 total pieces 1 package



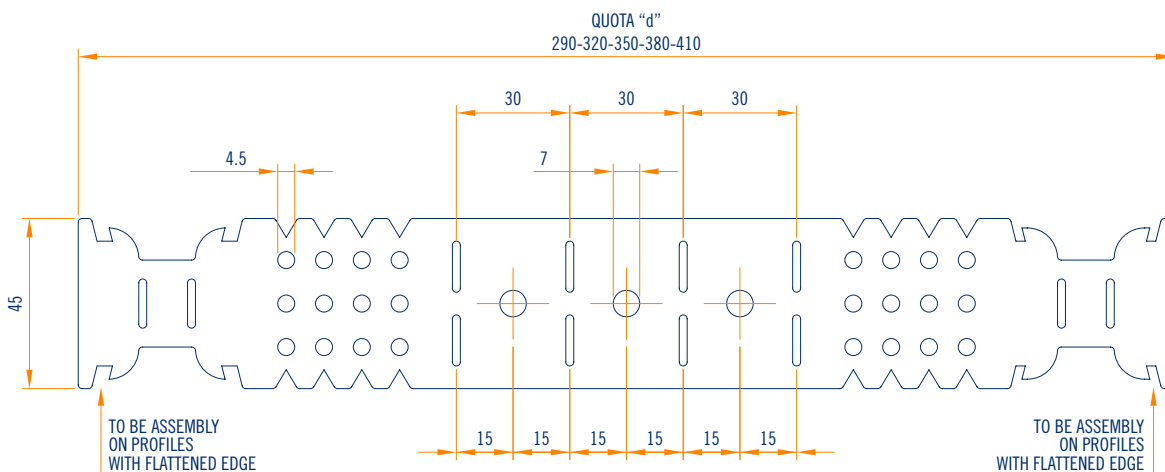
axonometric view scale 1:2



front view scale 1:2
special assembly with C/27/48/27 BA



side view scale 1:2
special assembly with C/27/48/27 BS



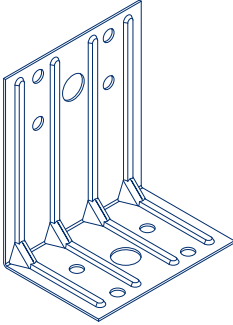
plan view scale 1:2

TO BE ASSEMBLY
ON PROFILES
WITH FLATTENED EDGE

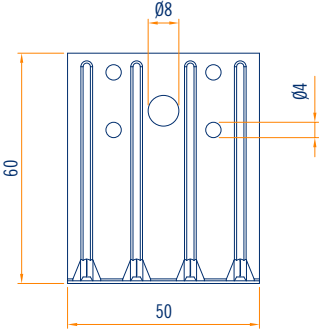
TO BE ASSEMBLY
ON PROFILES
WITH FLATTENED EDGE

L-BRACKET

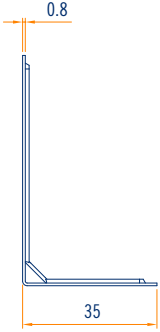
Item	Description	Dimension and thickness	Weight per package	Application	Sales unit
010/P100	L-bracket 60x35	d 60x35 s 0.7	2.70	double wall	100 total pieces 1 package



axonometric view scale 1:2

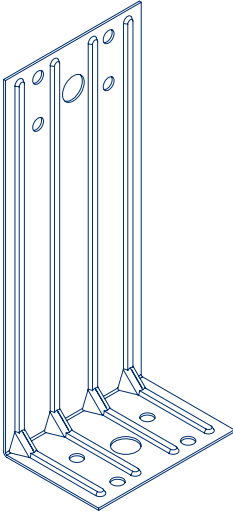


front view scale 1:2

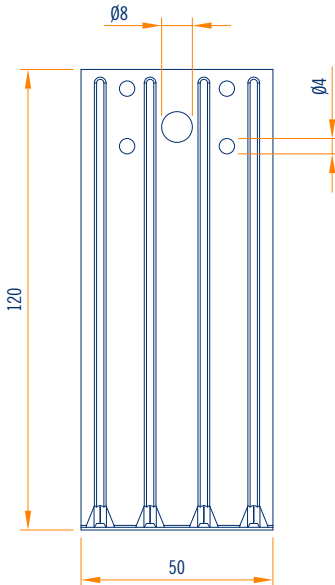


side view scale 1:2

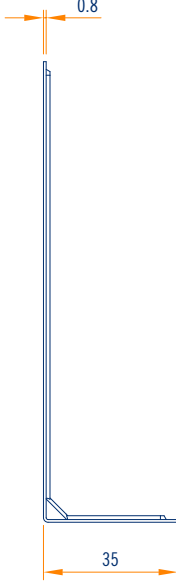
069/P100	L-bracket 120x35	d 120x35 s 0.7	4.45	double wall	100 total pieces 1 package
-----------------	------------------	-------------------	------	-------------	-------------------------------



axonometric view scale 1:2



front view scale 1:2



side view scale 1:2

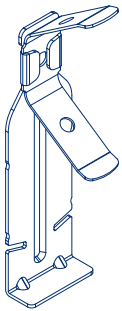
SPRING CONNECTOR EVOLUTION

U/40/28/40

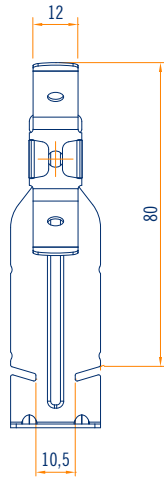
BASE 30



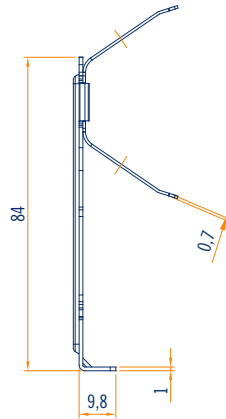
Item	Description	Dimension and thickness	Weight per package	Application	Sales unit
604/P100	spring connector EVOLUTION U/40/28/40	spring s 0.7 connector s 1	3.00	suspended ceiling	100 total pieces 1 package



axonometric view scale 1:2



front view scale 1:2

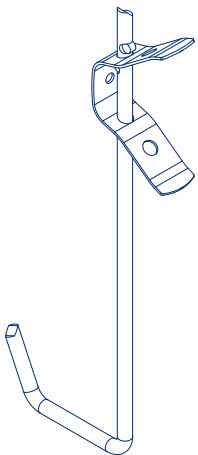


side view scale 1:2

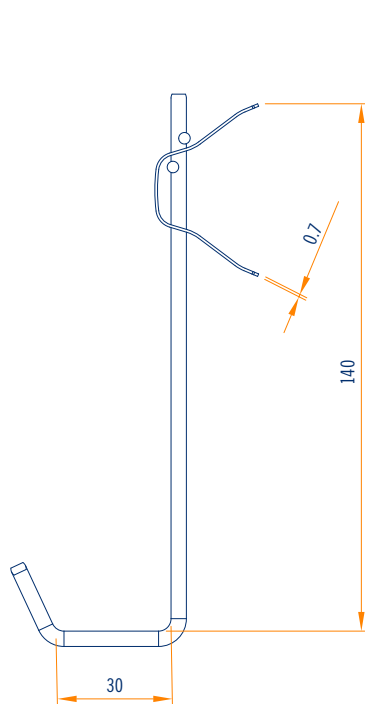
U-SHAPED HANGER WITH SPRING EVOLUTION

U/40/28/40

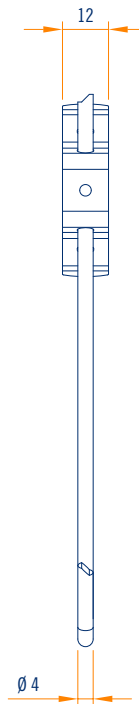
Item	Description	Dimension and thickness	Weight per package	Application	Sales unit
162/P100	U-shaped hanger with spring EVOLUTION U/40/28/40	hanger \varnothing 4 spring s 0.7	2.50	suspended ceiling	100 total pieces 1 package



axonometric view scale 1:2



front view scale 1:2



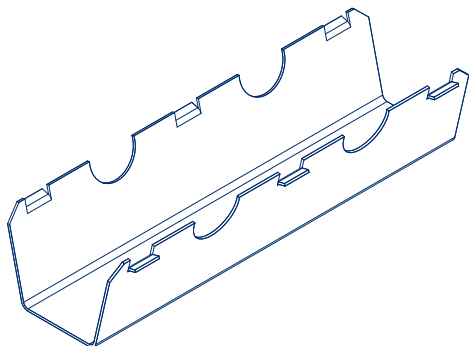
side view scale 1:2

LONGITUDINAL JOINT

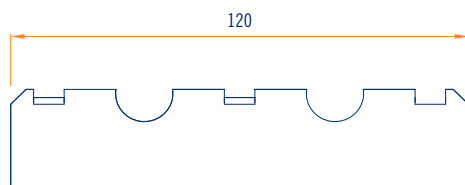
U/40/28/40

Item	Description	Dimension and thickness	Weight per package	Application	Sales unit
125/P100	longitudinal joint	s 0.7	3.70	suspended ceiling	100 total pieces 1 package

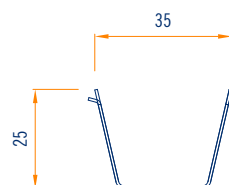
U/40/28/40



axonometric view scale 1:2



front view scale 1:2



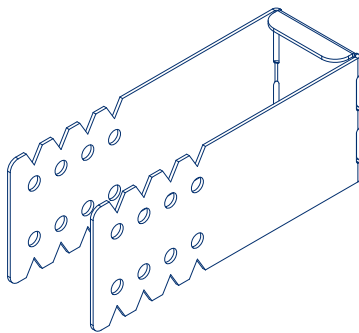
side view scale 1:2

ADJUSTABLE BRACKET WITH THROUGH-HOLE $\varnothing 7$

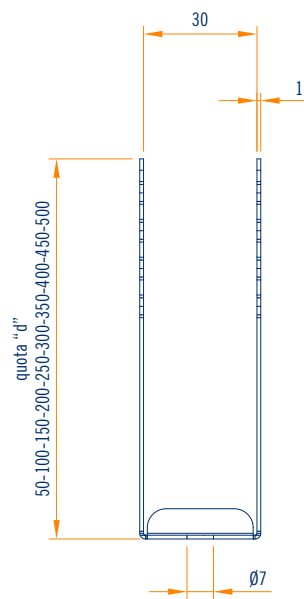
U/40/28/40

30X50-100-150-200-250-300-350-400-450-500

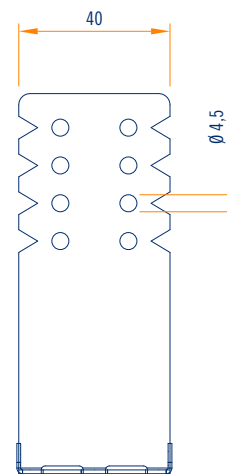
Item	Description	Dimension and thickness	Weight per package	Application	Sales unit
	adjustable bracket with through-hole $\varnothing 7$ U/40/28/40			suspended ceiling double wall	
270/P050	30x50	d 50 s 1	2.27		50 total pieces 1 package
271/P050	30x100	d 100 s 1	3.77		50 total pieces 1 package
272/P020	30x150	d 150 s 1	2.37		20 total pieces 1 package
273/P020	30x200	d 200 s 1	3.15		20 total pieces 1 package
274/P020	30x250	d 250 s 1	3.78		20 total pieces 1 package
275/P020	30x300	d 300 s 1	4.41		20 total pieces 1 package
276/P020	30x350	d 350 s 1	6.15		20 total pieces 1 package
277/P020	30x400	d 400 s 1	7.00		20 total pieces 1 package
278/P020	30x450	d 450 s 1	7.80		20 total pieces 1 package
279/P020	30x500	d 500 s 1	8.65		20 total pieces 1 package



axonometric view scale 1:2



front view scale 1:2



side view scale 1:2

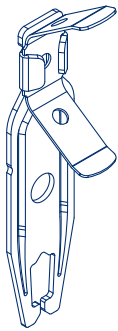
SLIDING SPRING CONNECTOR EVOLUTION

T/38/15 - T/38/24

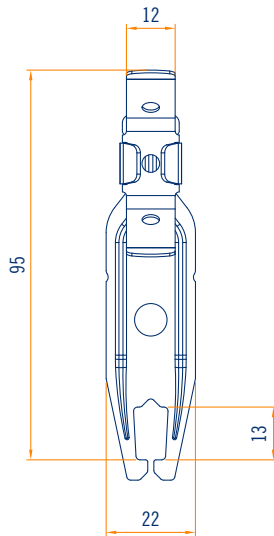
BASE 15/24



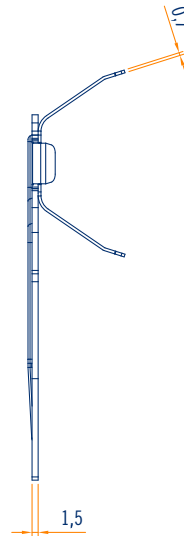
Item	Description	Dimension and thickness	Weight per package	Application	Sales unit
605/P100	sliding spring connector EVOLUTION T/38/15 T/38/24	spring s 0.7 connector s 1.5	2.60	suspended ceiling	100 total pieces 1 package



axonometric view scale 1:2



front view scale 1:2



side view scale 1:2

CLICK-ON SLIDING SPRING CONNECTOR EVOLUTION

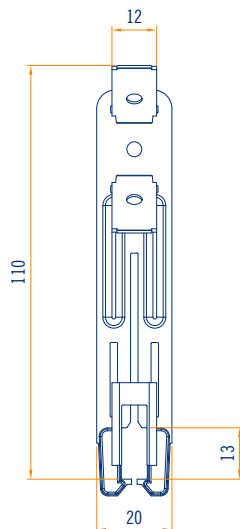
T/38/15 - T/38/24



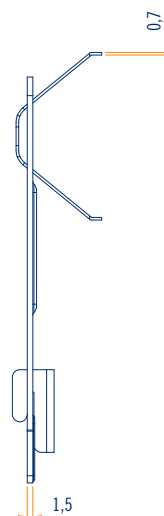
Item	Description	Dimension and thickness	Weight per package	Application	Sales unit
606/P100	click-on sliding spring connector EVOLUTION T/38/15 T/38/24	spring s 0.7 connector s 1.5	3.05	suspended ceiling	100 total pieces 1 package



axonometric view scale 1:2



front view scale 1:2



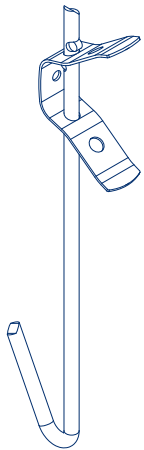
side view scale 1:2



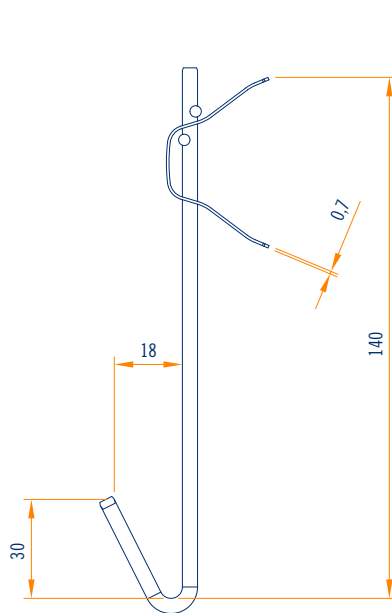
V-SHAPED HANGER WITH SPRING EVOLUTION

T/38/15 - T/38/24

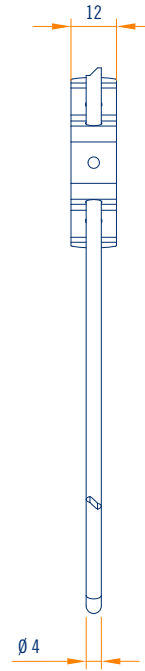
Item	Description	Dimension and thickness	Weight per package	Application	Sales unit
145/P100	V-shaped hanger with spring EVOLUTION T/38/15 T/38/24	hanger \varnothing 4 spring s 0.7	2.50	suspended ceiling	100 total pieces 1 package



axonometric view scale 1:2



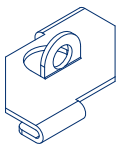
front view scale 1:2



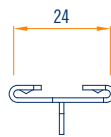
side view scale 1:2

WHITE-PAINTED ANCHORING CLIP T/38/24

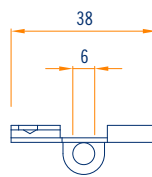
Item	Description	Dimension and thickness	Weight per package	Application	Sales unit
191/P100	white-painted anchoring clip T/38/24	s 1	0.92	suspended ceiling	100 total pieces 1 package



axonometric view scale 1:2



front view scale 1:2



side view scale 1:2

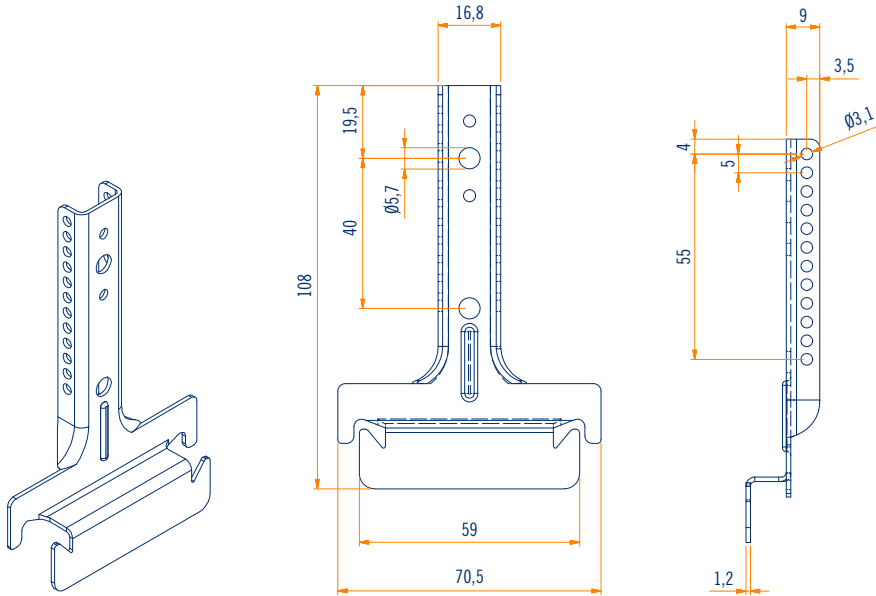
STRAIGHT CONNECTOR RULED IN SUPPORT PITCH 5 MM

C/27/60/27 BI-BA

BASE 60



Item	Description	Dimension and thickness	Weight per package	Application	Sales unit
500/P100	straight connector ruled in support pitch 5 mm C/27/60/27 BI-BA	s 1.2	3.90	suspended ceiling	100 total pieces 1 package



axonometric view scale 1:2

front view scale 1:2

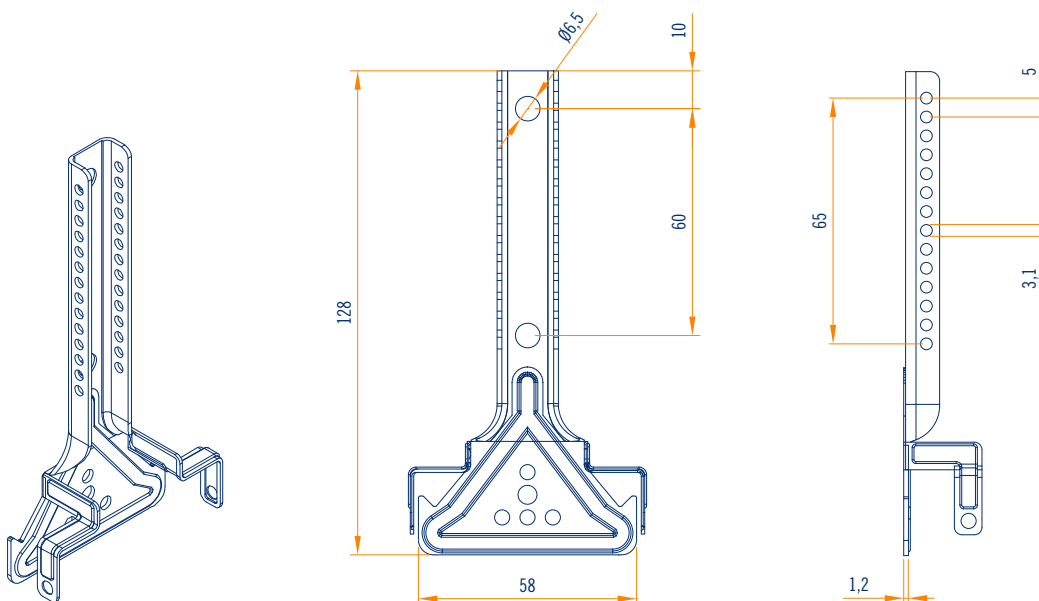
side view scale 1:2

STRAIGHT CONNECTOR RULED PITCH 5 MM

C/27/60/27 BI-BA



Item	Description	Dimension and thickness	Weight per package	Application	Sales unit
501/P100	straight connector ruled pitch 5 mm C/27/60/27 BI-BA	s 1.2	4.40	suspended ceiling	100 total pieces 1 package



axonometric view scale 1:2

front view scale 1:2

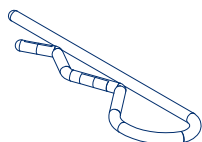
side view scale 1:2



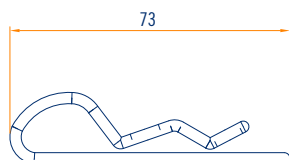
FLEXIBLE CLIP FOR STRAIGHT CONNECTOR AND HANGERS RULED PITCH 5/6 MM

C/27/60/27 BI-BA

Item	Description	Dimension and thickness	Weight per package	Application	Sales unit
502/P100	flexible clip for straight connector and hangers ruled pitch 5/6 mm C/27/60/27 BI-BA	∅ 2.5	0.60	suspended ceiling	100 total pieces 1 package



axonometric view scale 1:2



front view scale 1:2



side view scale 1:2

NOTE to be fixed with 2 pieces at least

HANGER FOR STRAIGHT CONNECTOR RULED PITCH 6 MM

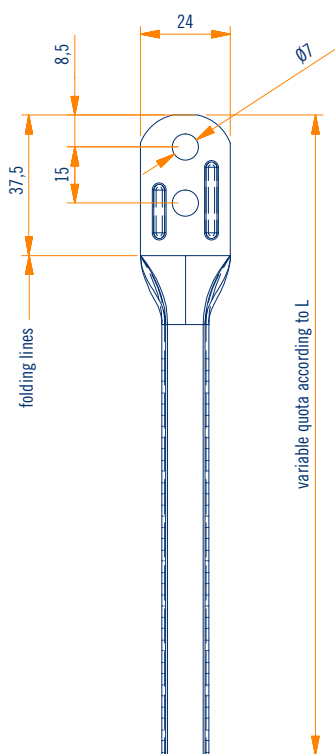
C/27/60/27 BI-BA



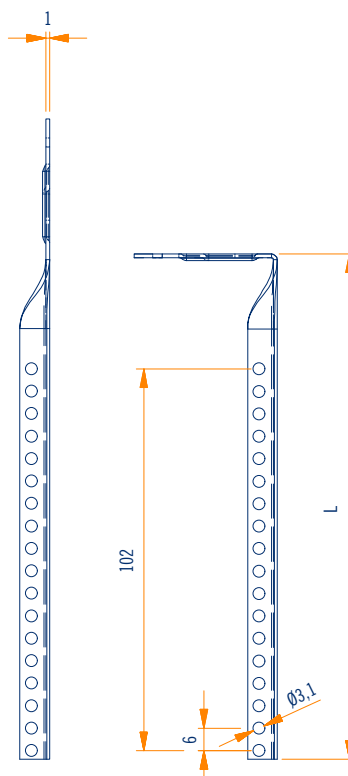
Item	Description	Dimension and thickness	Weight per package	Application	Sales unit
	hanger for straight connector ruled pitch 6 mm C/27/60/27 BI-BA			suspended ceiling double wall	
510/P100	135	d 135 s 1	3.20		100 total pieces 1 package
511/P100	235	d 235 s 1	4.30		100 total pieces 1 package
512/P100	340	d 340 s 1	6.70		100 total pieces 1 package
513/P100	440	d 440 s 1	7.80		100 total pieces 1 package
514/P100	540	d 540 s 1	9.20		100 total pieces 1 package
515/P100	640	d 640 s 1	11.05		100 total pieces 1 package
516/P100	740	d 740 s 1	13.20		100 total pieces 1 package
517/P100	840	d 840 s 1	15.00		100 total pieces 1 package
518/P100	940	d 940 s 1	16.60		100 total pieces 1 package
519/P025	1040	d 1040 s 1	4.80		25 total pieces 1 package



axonometric view scale 1:2



front view scale 1:2



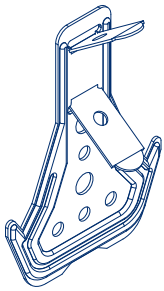
side view scale 1:2

SPRING CONNECTOR

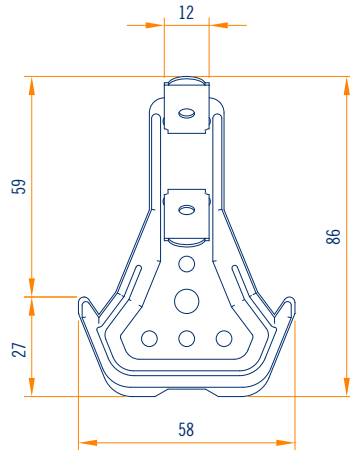
C/27/60/27 BI-BA



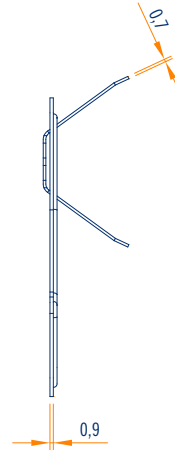
Item	Description	Dimension and thickness	Weight per package	Application	Sales unit
061/P100	spring connector C/27/60/27 BI-BA	connector s 1.5 spring s 0.7	1.90	suspended ceiling	100 total pieces 1 package



axonometric view scale 1:2



front view scale 1:2



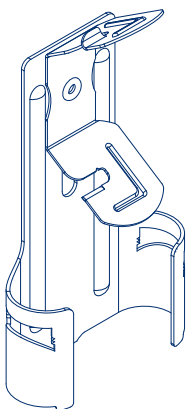
side view scale 1:2

ROTATING SPRING CONNECTOR

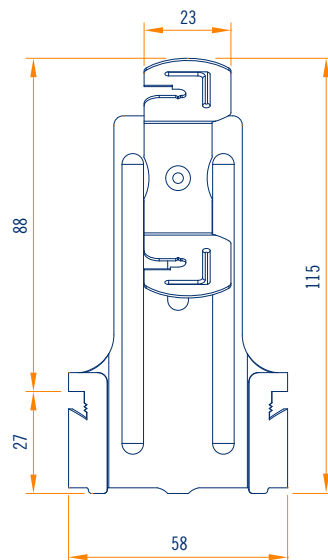
C/27/60/27 BI-BA



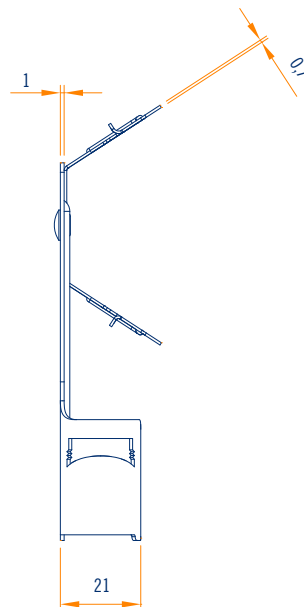
Item	Description	Dimension and thickness	Weight per package	Application	Sales unit
061/P100/A	rotating spring connector C/27/60/27 BI-BA	connector s 1 spring s 0.7	5.90	suspended ceiling	100 total pieces 1 package



axonometric view scale 1:2



front view scale 1:2



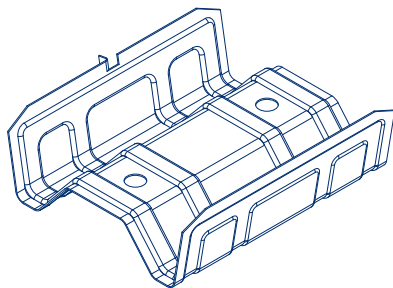
side view scale 1:2

LONGITUDINAL JOINT

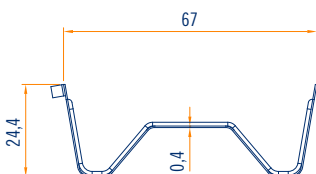
C/27/60/27 BI-BA

Item	Description	Dimension and thickness	Weight per package	Application	Sales unit
063/P100	longitudinal joint	d 27 s 0.4	3.80	suspended ceiling	100 total pieces 1 package

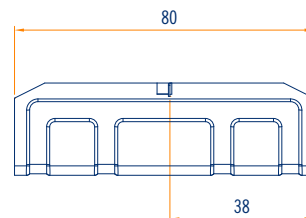
C/27/60/27 BI-BA



axonometric view scale 1:2



front view scale 1:2



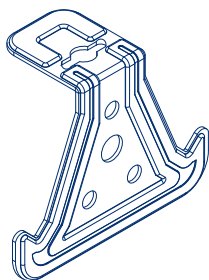
side view scale 1:2

ORTHOGONAL CONNECTOR

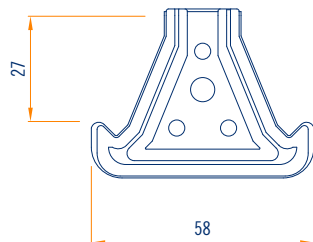
C/27/60/27 BI-BA

Item	Description	Dimension and thickness	Weight per package	Application	Sales unit
062/P100/B	orthogonal connector	s 0.9	1.40	suspended ceiling	100 total pieces 1 package

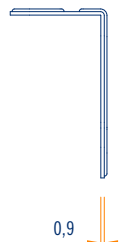
C/27/60/27 BI-BA



axonometric view scale 1:2



front view scale 1:2

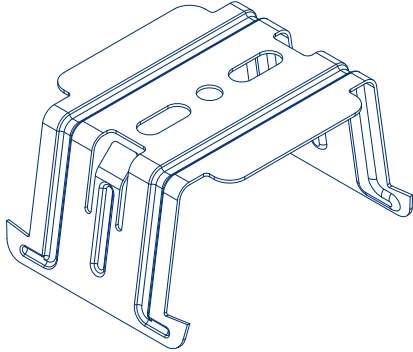


side view scale 1:2

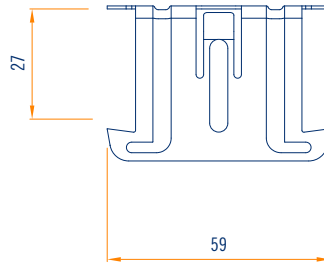
CLICK-ON ORTHOGONAL CONNECTOR

C/27/60/27 BI-BA

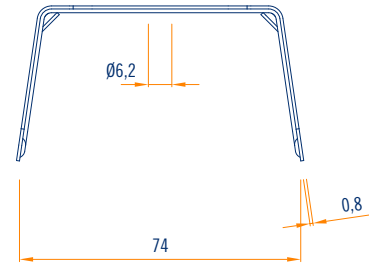
Item	Description	Dimension and thickness	Weight per package	Application	Sales unit
062/P100/A	click-on orthogonal connector C/27/60/27 BI-BA C/27/60/27 BI-BA	s 0.8	4.80	suspended ceiling	100 total pieces 1 package



axonometric view scale 1:2



front view scale 1:2

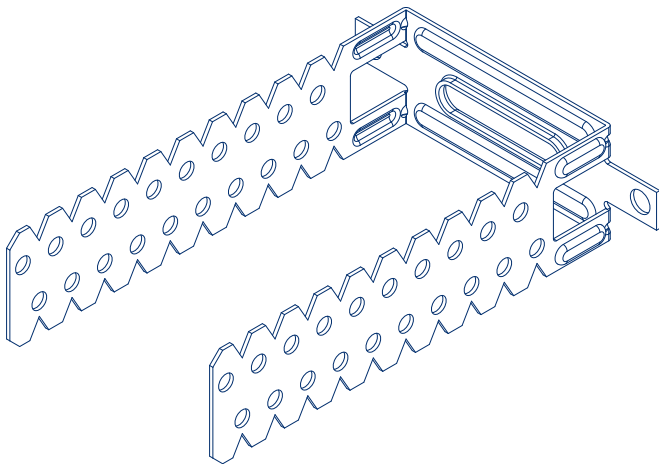


side view scale 1:2

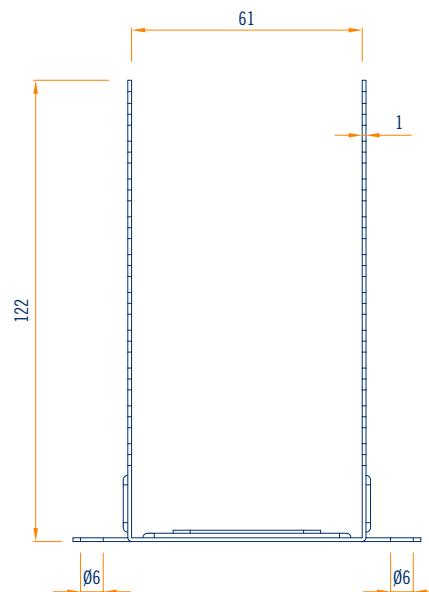
ADJUSTABLE BRACKET 60X120

C/27/60/27 BI-BA

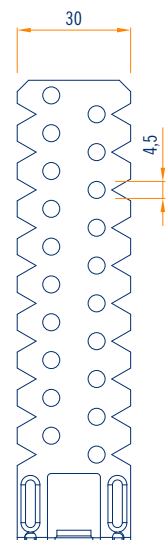
Item	Description	Dimension and thickness	Weight per package	Application	Sales unit
064/P100	adjustable bracket 60x120 C/27/60/27 BI-BA	d 60x120 s 1	5.80	suspended ceiling double wall	100 total pieces 1 package



axonometric view scale 1:2



front view scale 1:2



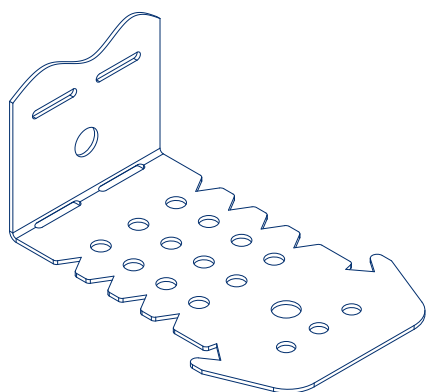
side view scale 1:2

ADJUSTABLE MULTIBRACKET

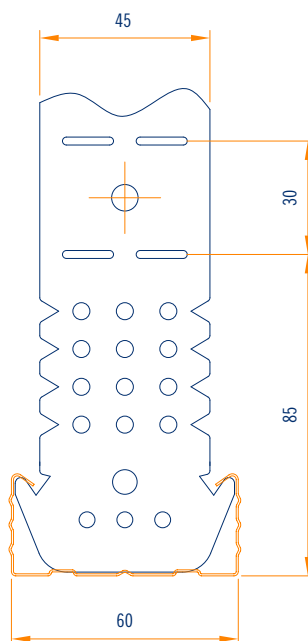
C/27/60/27 BI-BA
45X260-290-320-350-380



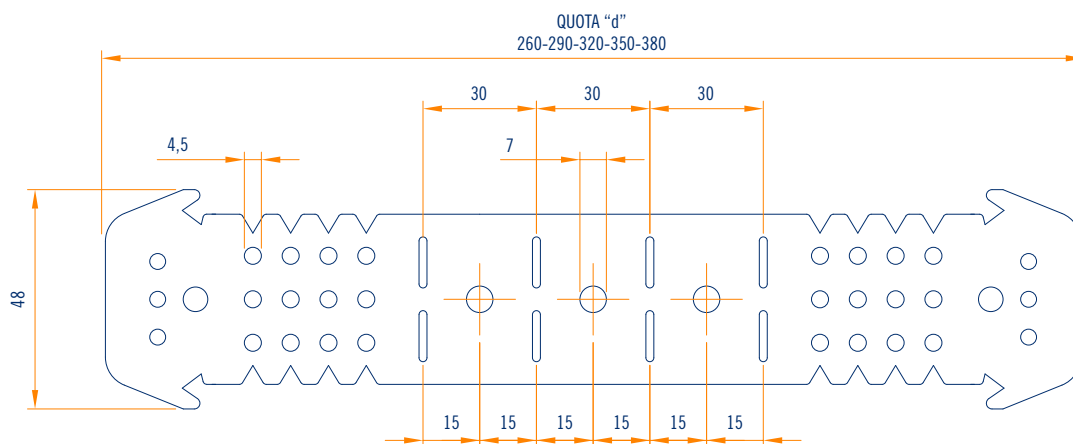
Item	Description	Dimension and thickness	Weight per package	Application	Sales unit
	adjustable multibracket for C/27/60/27 BI-BA			suspended ceiling double wall	
340/P050	45x260	d 260 s 1	5.51		50 total pieces 1 package
341/P050	45x290	d 290 s 1	6.04		50 total pieces 1 package
342/P020	45x320	d 320 s 1	2.81		20 total pieces 1 package
343/P020	45x350	d 350 s 1	3.02		20 total pieces 1 package
344/P020	45x380	d 380 s 1	3.23		20 total pieces 1 package



axonometric view scale 1:2



front view scale 1:2
special assembly with C/27/60/27



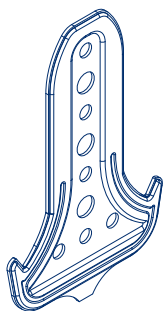
plan view scale 1:2

STRAIGHT CONNECTOR

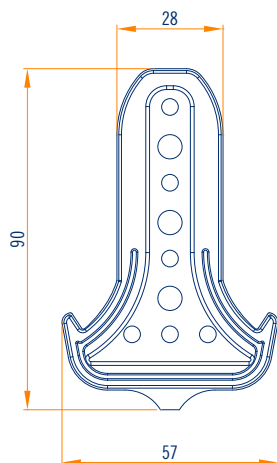
C/27/60/27 BI-BA



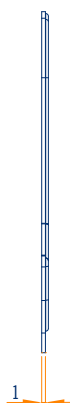
Item	Description	Dimension and thickness	Weight per package	Application	Sales unit
355/P100	straight connector with through-hole \varnothing 5 C/27/60/27 BI-BA	l 90 s 1	2.20	suspended ceiling	100 total pieces 1 package



axonometric view scale 1:2

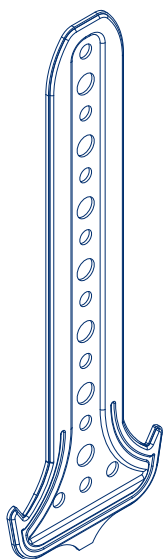


front view scale 1:2

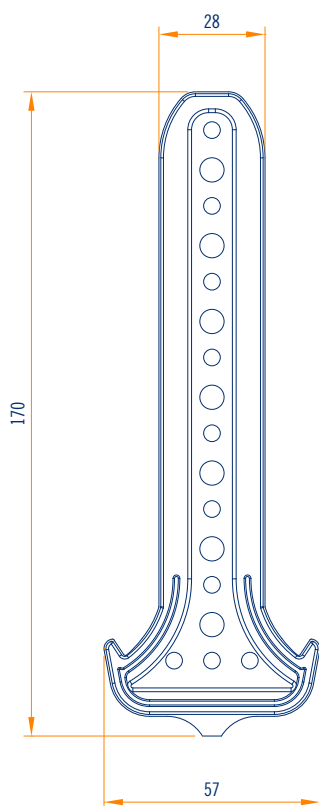


side view scale 1:2

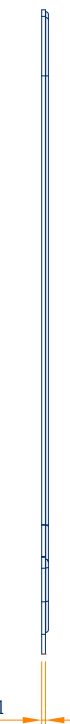
Item	Description	Dimension and thickness	Weight per package	Application	Sales unit
356/P100	straight connector with through-hole \varnothing 5 C/27/60/27 BI-BA	l 170 s 1	3.10	suspended ceiling	100 total pieces 1 package



axonometric view scale 1:2



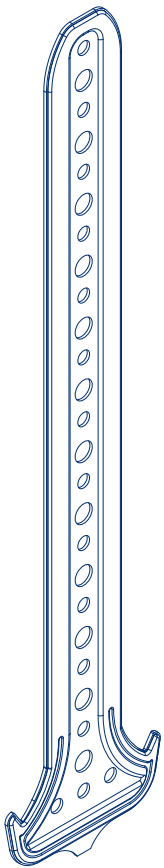
front view scale 1:2



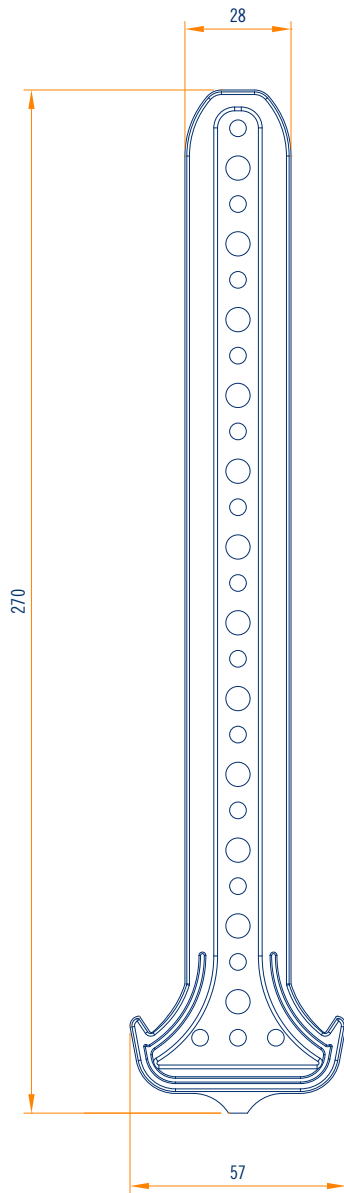
side view scale 1:2

36 CONNECT STEEL

Item	Description	Dimension and thickness	Weight per package	Application	Sales unit
357/P100	straight connector with through-hole \varnothing 5 C/27/60/27 BI-BA	l 270 s 1	5.10	suspended ceiling	100 total pieces 1 package



axonometric view scale 1:2



front view scale 1:2



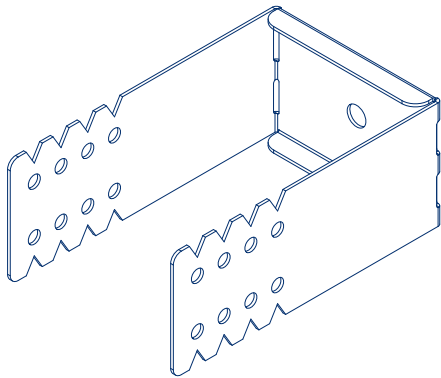
side view scale 1:2

ADJUSTABLE BRACKET WITH THROUGH-HOLE $\varnothing 7$

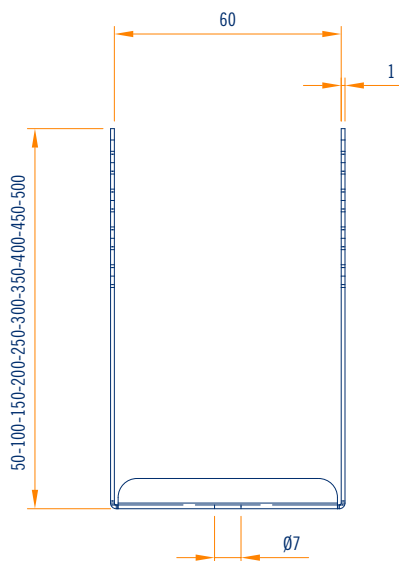
C/27/60/27 BI-BA

60X50-100-150-200-250-300-350-400-450-500

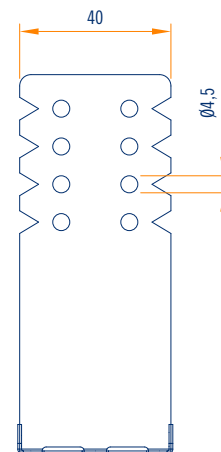
Item	Description	Dimension and thickness	Weight per package	Application	Sales unit
	adjustable bracket with through-hole $\varnothing 7$ C/27/60/27 BI-BA			suspended ceiling double wall	
360/P050	60x50	d 50 s 1	3.50		50 total pieces 1 package
361/P050	60x100	d 100 s 1	5.60		50 total pieces 1 package
362/P020	60x150	d 150 s 1	3.10		20 total pieces 1 package
363/P020	60x200	d 200 s 1	3.90		20 total pieces 1 package
364/P020	60x250	d 250 s 1	4.80		20 total pieces 1 package
365/P020	60x300	d 300 s 1	5.60		20 total pieces 1 package
366/P020	60x350	d 350 s 1	6.40		20 total pieces 1 package
367/P020	60x400	d 400 s 1	7.25		20 total pieces 1 package
368/P020	60x450	d 450 s 1	8.10		20 total pieces 1 package
369/P020	60x500	d 500 s 1	8.90		20 total pieces 1 package



axonometric view scale 1:2



front view scale 1:2



side view scale 1:2

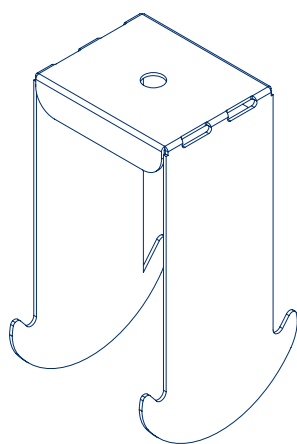
CLICK-ON BRACKET WITH Ø 7 THROUGH-HOLE

C/27/60/27 BI-BA

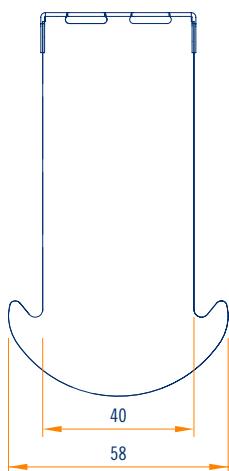
60x50-100-150-200-250-300-350-400-450-500



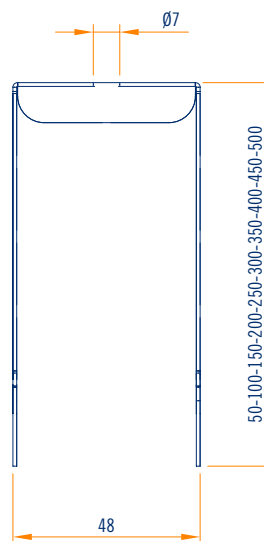
Item	Description	Dimension and thickness	Weight per package	Application	Sales unit
	click-on bracket with Ø 7 through-hole C/27/60/27 BI-BA			suspended ceiling double wall	
370/P050	60x50	d 50 s 1	3.50		50 total pieces 1 package
371/P050	60x100	d 100 s 1	5.60		50 total pieces 1 package
372/P020	60x150	d 150 s 1	3.10		20 total pieces 1 package
373/P020	60x200	d 200 s 1	3.90		20 total pieces 1 package
374/P020	60x250	d 250 s 1	4.80		20 total pieces 1 package
375/P020	60x300	d 300 s 1	5.60		20 total pieces 1 package
376/P020	60x350	d 350 s 1	6.40		20 total pieces 1 package
377/P020	60x400	d 400 s 1	7.25		20 total pieces 1 package
378/P020	60x450	d 450 s 1	8.10		20 total pieces 1 package
379/P020	60x500	d 500 s 1	8.90		20 total pieces 1 package



axonometric view scale 1:2



front view scale 1:2

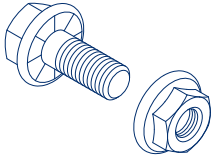


side view scale 1:2

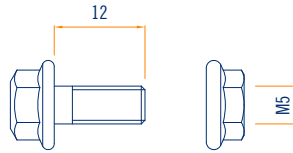
SCREW + NUT



Item	Description	Dimension and thickness	Weight per package	Application	Sales unit
015/P100	screw + galvanized flanged nuts Ø 5x12 straight connectors	d x Ø5 x 12	0.50	suspended ceiling	100 total pieces 1 package



axonometric view scale 1:2

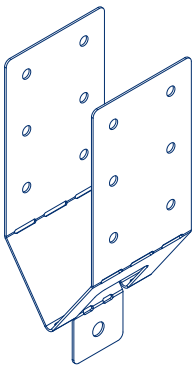


side view scale 1:2

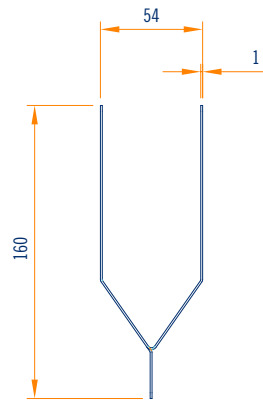
U-SHAPED BRACKET FOR SELF-SUPPORTING FRAMING



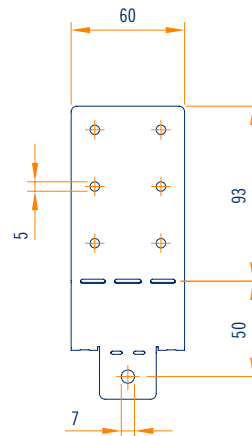
Item	Description	Dimension and thickness	Weight per package	Application	Sales unit
350/P020	U-shaped bracket for self-supporting framing 50x160x1	s 1	2.70	suspended ceiling autoportante	20 total pieces 1 package



axonometric view scale 1:2

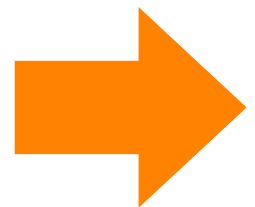


front view scale 1:2

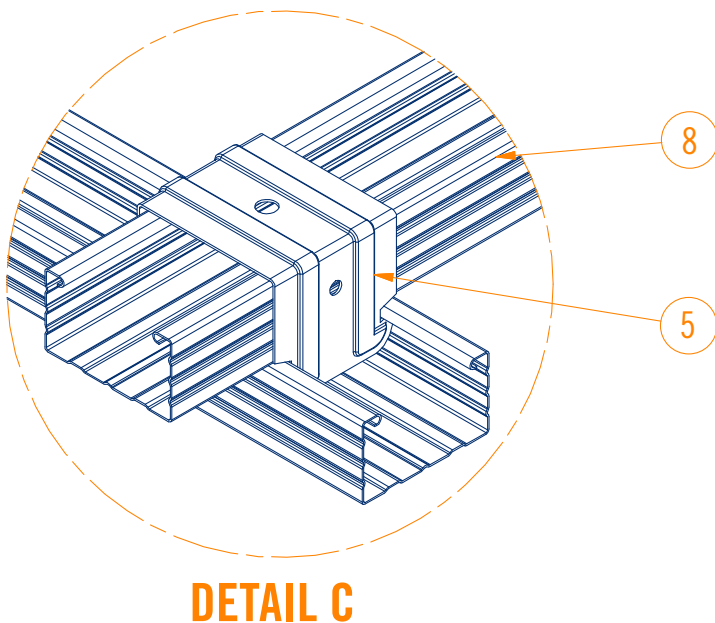
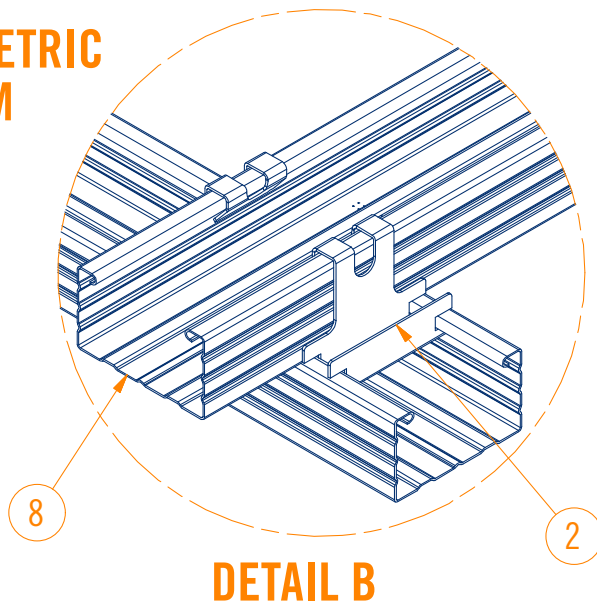
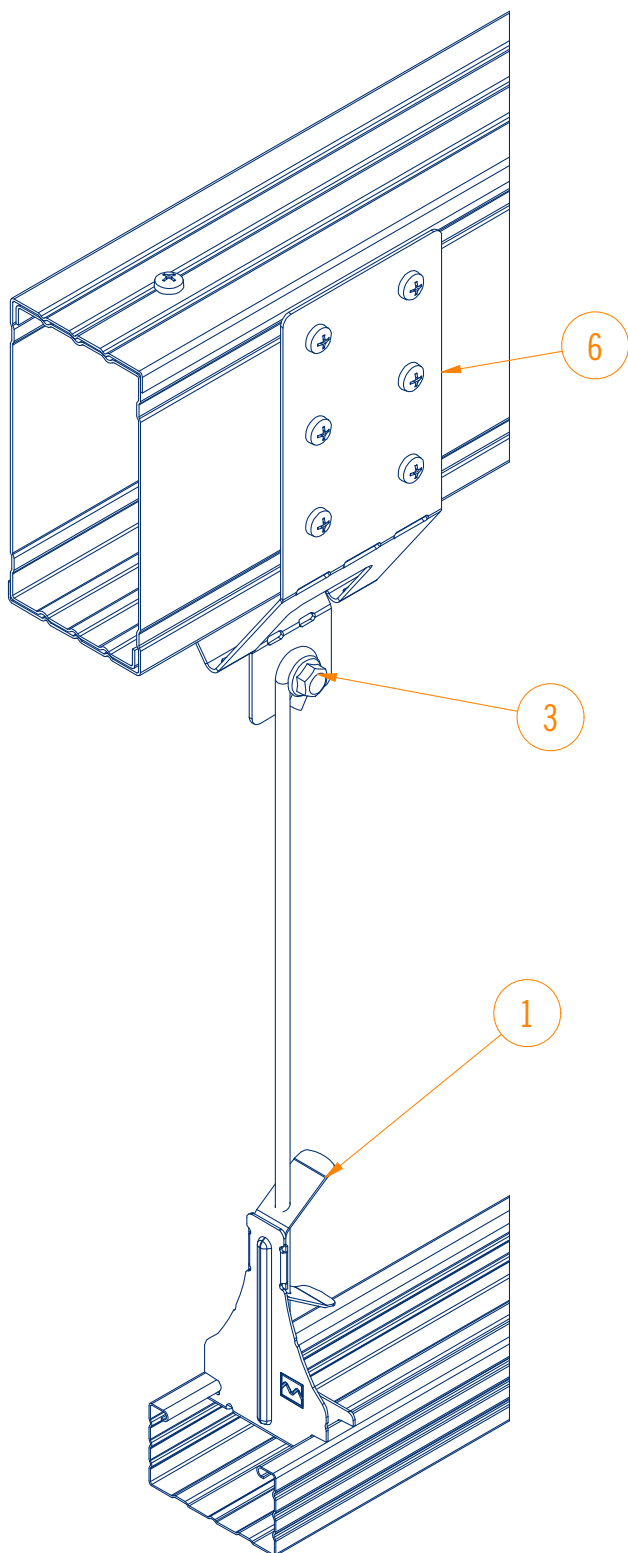


side view scale 1:2

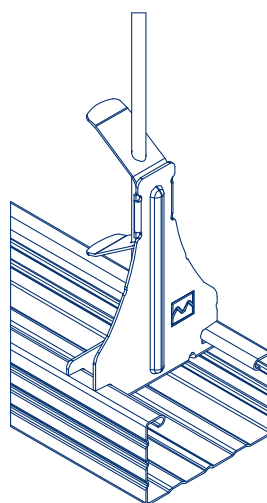
**ASSEMBLY
DIAGRAM
ON PAGE 40**



METALSTAMPI APPLICATION AXONOMETRIC VIEW SELF-SUPPORTING SYSTEM

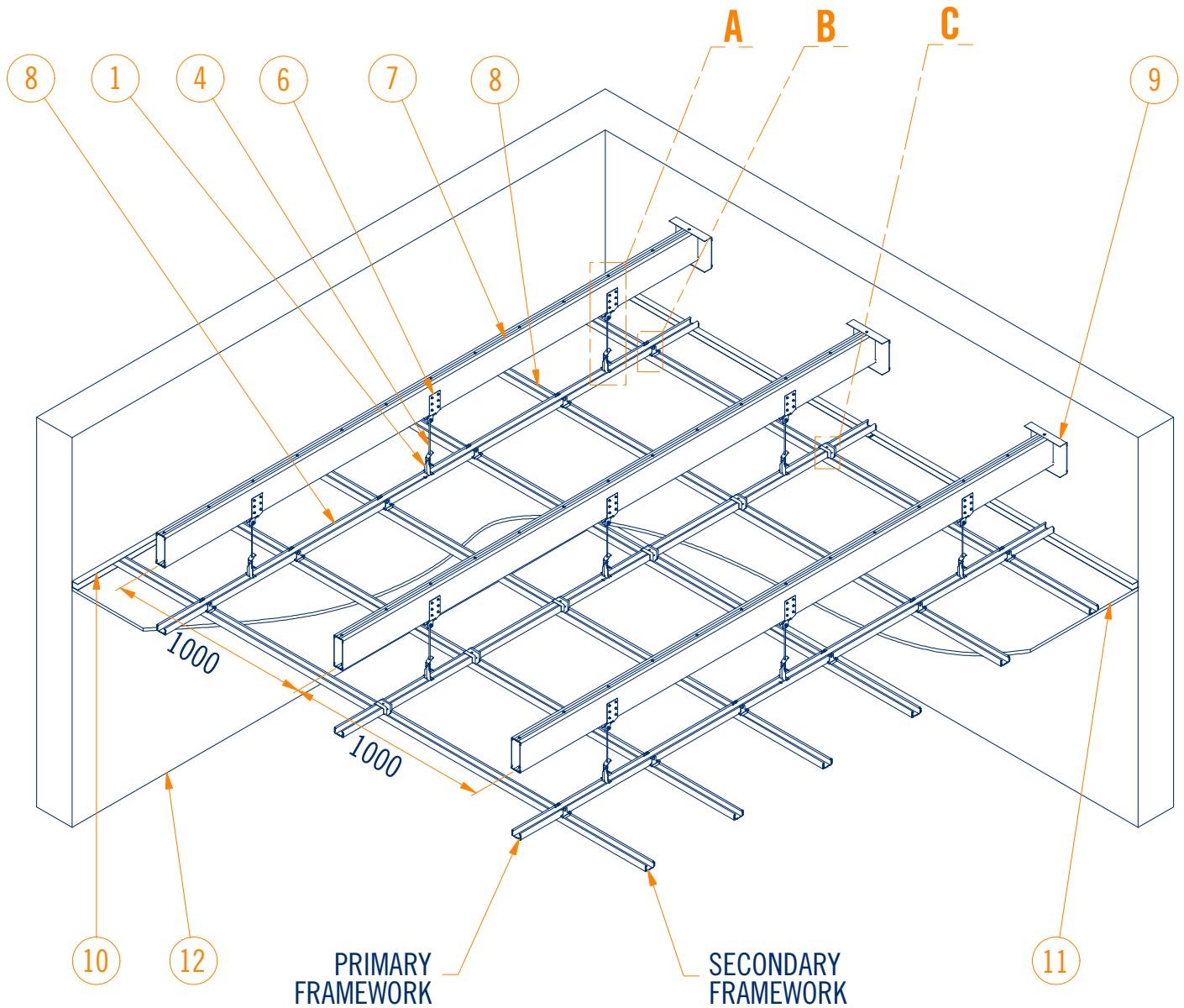



DETAIL A



 **CONFIGURATIONS OF METALSTAMPI KITS**
CE MARKING PURSUANT TO EN 13964
valid only with products featuring the Metalstampi

ASSEMBLY DIAGRAM



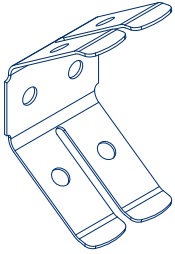
 Span length and applicable load can be found on Metalstampi calculation report.

Pos.	Description	Item
1	SPRING CONNECTOR EVOLUTION C/15/48/15, C/27/48/27 BA	600/P100 (BA)
2	ORTHOGONAL CONNECTOR C/27/48/27 BA	007/P100 (BA)
3	SCREW + GALVANIZED FLANGED NUTS M5 X 12	015/P100
4	FLAT EYELET HANGER Ø3.9 L=250 MM	017/P100
5	CLICK-ON ORTHOGONAL CONNECTOR C/27/48/27 BA	113/P100 (BA)
6	U-SHAPED BRACKET FOR SELF-SUPPORTING FRAMING 50X160X1	350/P020
7	C-STUD C/50/149/47/1	PC15050.1
8	C-STUD C/27/48/27/3000/0.6 BA	PC50273000BA
9	U-TRACK U/40/150/40/1	PU15040.1
10	U-TRACK U/30/28/30/3000/0.6	PU28303000
11	PLASTERBOARD COVERING	
12	WALLS	

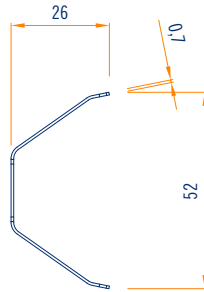
DOUBLE SPRING



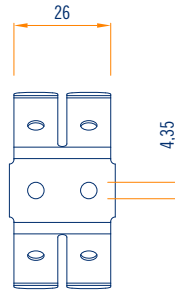
Item	Description	Dimension and thickness	Weight per package	Application	Sales unit
039/P100	adjustment spring for double hanger Ø 3.9	s 0.7	1.70	suspended ceiling	100 total pieces 1 package



axonometric view scale 1:2



front view scale 1:2



side view scale 1:2

FLAT EYELET HANGER Ø 3.9



Item	Description	Dimension and thickness	Weight per package	Application	Sales unit
	flat eyelet hanger Ø 3.9			suspended ceiling	100 total pieces 1 package
040/P100		d 125	1.60		
017/P100		d 250	2.80		
041/P100		d 375	4.10		
018/P100		d 500	5.30		
042/P100		d 750	7.00		
019/P100		d 1000	10.40		
043/P100		d 1500	15.30		
044/P100		d 2000	20.40		
149/P100		d 3000	30.50		
151/P100		d 4000	40.80		

other lengths upon request



side view scale 1:2

FLAT HANGER Ø 3.9



Item	Description	Dimension and thickness	Weight per package	Application	Sales unit
	flat hanger Ø 3.9			suspended ceiling	100 total pieces 1 package
155/P100		d 125	1.60		
156/P100		d 250	2.80		
157/P100		d 375	4.10		
158/P100		d 500	5.30		
159/P100		d 750	7.00		
146/P100		d 1000	10.40		
160/P100		d 1500	15.30		
147/P100		d 2000	20.40		
148/P100		d 3000	30.50		
161/P100		d 4000	40.80		

other lengths upon request



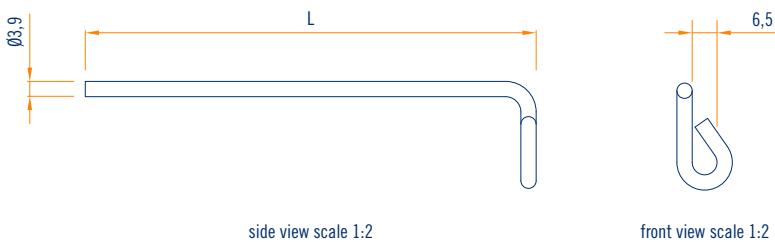
side view scale 1:2

90° BENT HANGER Ø 3.9



Item	Description	Dimension and thickness	Weight per package	Application	Sales unit
	90° bent hanger Ø 3.9			suspended ceiling	100 total pieces 1 package
128/P100		d 125	1.60		
129/P100		d 250	2.80		
130/P100		d 375	4.10		
131/P100		d 500	5.30		
132/P100		d 750	7.00		
133/P100		d 1000	10.40		
134/P100		d 1500	15.30		
135/P100		d 2000	20.40		
150/P100		d 3000	30.50		
152/P100		d 4000	40.80		

other lengths upon request

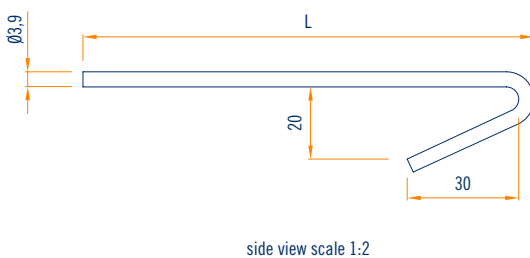


V-SHAPED HANGER Ø 3.9



Item	Description	Dimension and thickness	Weight per package	Application	Sales unit
	V-shaped hanger Ø 3.9			suspended ceiling	100 total pieces 1 package
136/P100		d 125	1.60		
137/P100		d 250	2.80		
138/P100		d 375	4.10		
139/P100		d 500	5.30		
140/P100		d 750	7.00		
141/P100		d 1000	10.40		
142/P100		d 1500	15.30		
143/P100		d 2000	20.40		
153/P100		d 3000	30.50		
154/P100		d 4000	40.80		

other lengths upon request

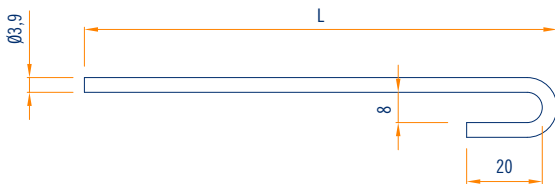


8 MM U-SHAPED HANGER Ø 3.9



Item	Description	Dimension and thickness	Weight per package	Application	Sales unit
	8-mm U-shaped hanger Ø 3.9			suspended ceiling	100 total pieces 1 package
163/P100		d 125	1.60		
164/P100		d 250	2.80		
165/P100		d 375	4.10		
166/P100		d 500	5.30		
167/P100		d 750	7.00		
168/P100		d 1000	10.40		
169/P100		d 1500	15.30		
170/P100		d 2000	20.40		
171/P100		d 3000	30.50		
172/P100		d 4000	40.80		

other lengths upon request



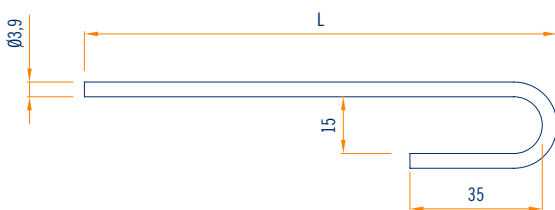
side view scale 1:2

15 MM U-SHAPED HANGER Ø 3.9



Item	Description	Dimension and thickness	Weight per package	Application	Sales unit
	15 mm U-shaped hanger Ø 3.9			suspended ceiling	100 total pieces 1 package
173/P100		d 125	1.60		
174/P100		d 250	2.80		
175/P100		d 375	4.10		
176/P100		d 500	5.30		
177/P100		d 750	7.00		
178/P100		d 1000	10.40		
179/P100		d 1500	15.30		
180/P100		d 2000	20.40		
181/P100		d 3000	30.50		
182/P100		d 4000	40.80		

other lengths upon request



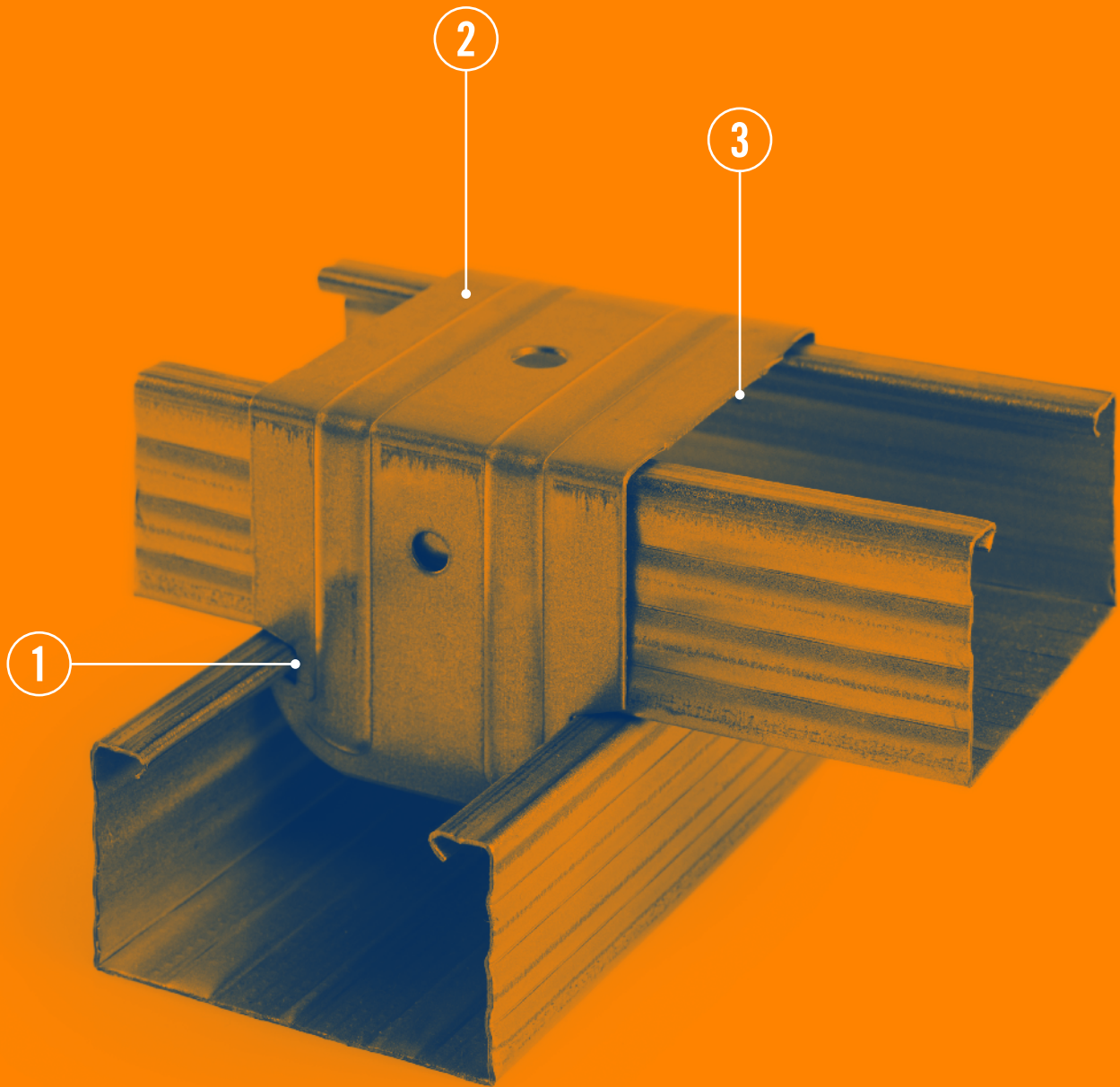
side view scale 1:2

FASTENING SYSTEMS CONNECT ZINC-MAGNESIUM



METALSTAMPI

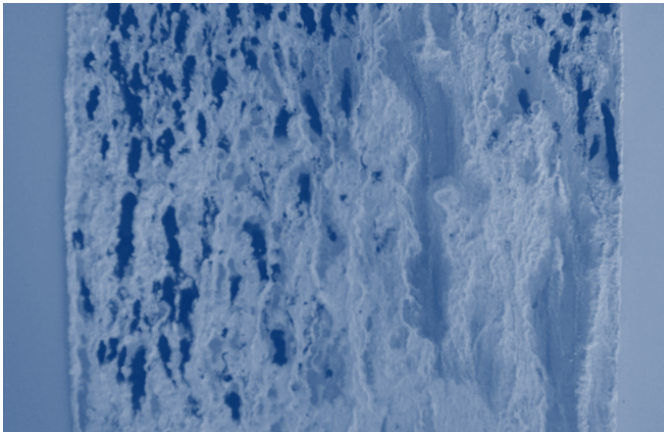
FASTENING SYSTEMS CONNECT ZINC-MAGNESIUM



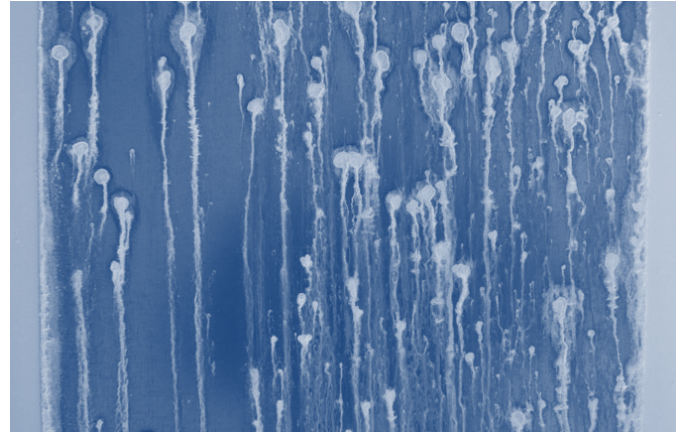
STRENGTHS

- 1— Product conformity with CE marking, according to European directive EN 13964 (determination of the load permissible for suspended ceilings with load-bearing capacity) obtained with Metalstampi profiles and accessory kits.
- 2— Use of steel with high corrosion resistance zinc-magnesium surface coating (on average 4 times more than the standard of equal coverage) obtained by particular production procedures with added magnesium.
- 3— Self-cicatrising power of zinc-coated steel in the cutting and drilling areas of the screws.

PRODUCT FEATURES



Salt spray test 500 hours standard zinc uncovered edges



Salt spray test 500 hours standard zinc-magnesium uncovered edge

Comparison between products and relative resistance in salt spray

product	thickness of covering		hours of resistance in salt spray necessary for reaching the red rust	absolute resistance in ore/ μm of covering	hardness of coating against scratching in HV
	g/mq	μm			
standard zinc	Z 140	10	180	18	70
zinc-magnesium	ZM 120	8	720	90	140-170

ADJUSTABLE BRACKET WITH THROUGH-HOLE Ø 7

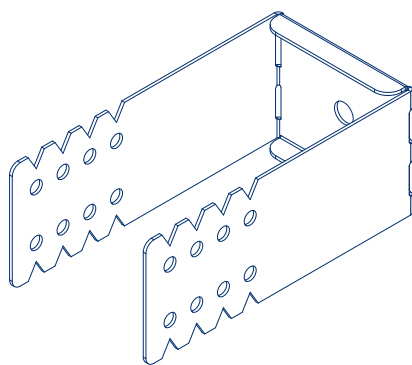
C/27/48/27 BA-BS

48X50-100-150-200-250-300-350-400-450-500

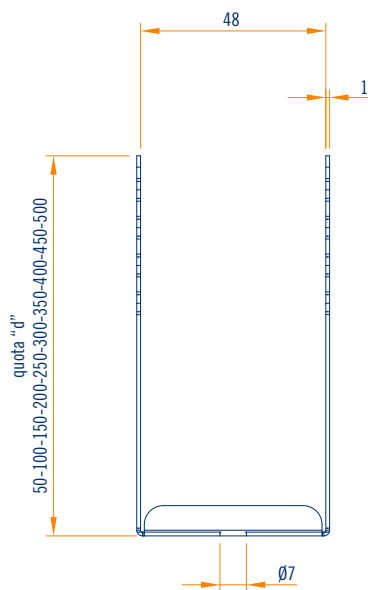
BASE 48



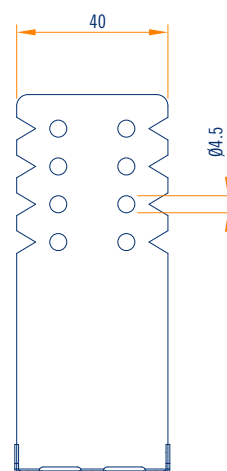
Item	Description	Dimension and thickness	Weight per package	Application	Sales unit
	adjustable bracket with through-hole Ø 7 C/27/48/27 BA-BS			suspended ceiling double wall	
280/P050	48x50	d 50 s 1	2.62		50 total pieces 1 package
281/P050	48x100	d 100 s 1	4.17		50 total pieces 1 package
282/P020	48x150	d 150 s 1	2.55		20 total pieces 1 package
283/P020	48x200	d 200 s 1	3.31		20 total pieces 1 package
284/P020	48x250	d 250 s 1	3.90		20 total pieces 1 package
285/P020	48x300	d 300 s 1	4.52		20 total pieces 1 package
286/P020	48x350	d 350 s 1	6.30		20 total pieces 1 package
287/P020	48x400	d 400 s 1	7.15		20 total pieces 1 package
288/P020	48x450	d 450 s 1	8.00		20 total pieces 1 package
289/P020	48x500	d 500 s 1	8.90		20 total pieces 1 package



axonometric view scale 1:2



front view scale 1:2



side view scale 1:2

ADJUSTABLE BRACKET WITH THROUGH-HOLE Ø 7

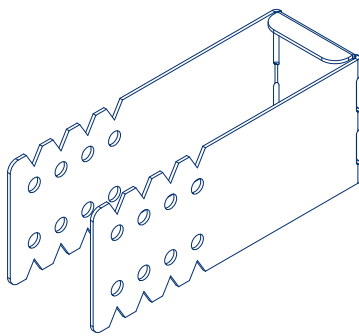
U/40/28/40

30X50-100-150-200-250-300-350- 400-450-500

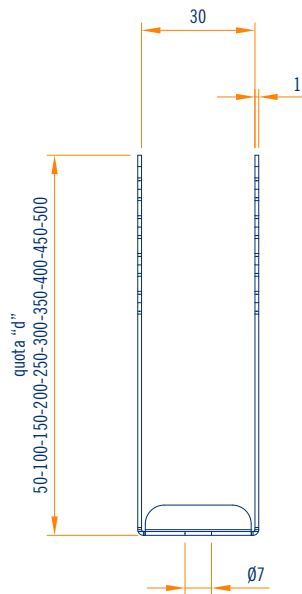
BASE 30



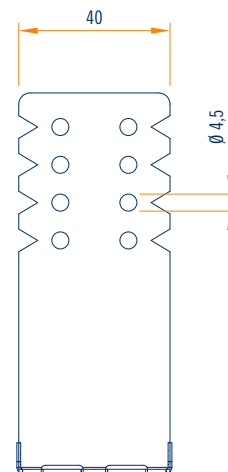
Item	Description	Dimension and thickness	Weight per package	Application	Sales unit
	adjustable bracket with through-hole Ø 7 U/40/28/40			suspended ceiling double wall	
290/P050	30x50	d 50 s 1	2.27		50 total pieces 1 package
291/P050	30x100	d 100 s 1	3.77		50 total pieces 1 package
292/P020	30x150	d 150 s 1	2.37		20 total pieces 1 package
293/P020	30x200	d 200 s 1	3.15		20 total pieces 1 package
294/P020	30x250	d 250 s 1	3.78		20 total pieces 1 package
295/P020	30x300	d 300 s 1	4.41		20 total pieces 1 package
296/P020	30x350	d 350 s 1	6.15		20 total pieces 1 package
297/P020	30x400	d 400 s 1	7.00		20 total pieces 1 package
298/P020	30x450	d 450 s 1	7.80		20 total pieces 1 package
299/P020	30x500	d 500 s 1	8.65		20 total pieces 1 package



axonometric view scale 1:2



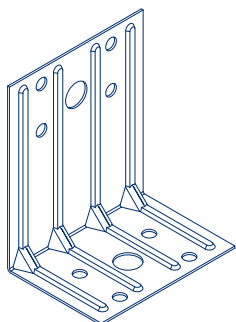
front view scale 1:2



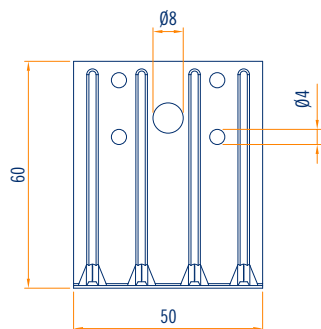
side view scale 1:2

L-BRACKET ZINC-MAGNESIUM

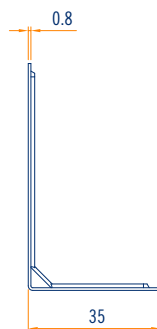
Item	Description	Dimension and thickness	Weight per package	Application	Sales unit
304/P100	L-Bracket 60x35	d 60x35 s 0.8	3.00	double wall	100 total pieces 1 package



axonometric view scale 1:2

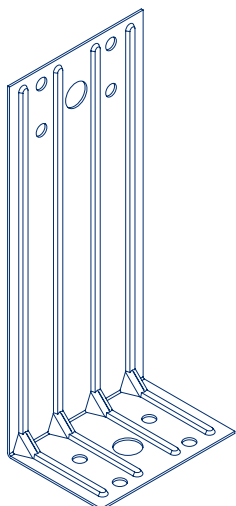


front view scale 1:2

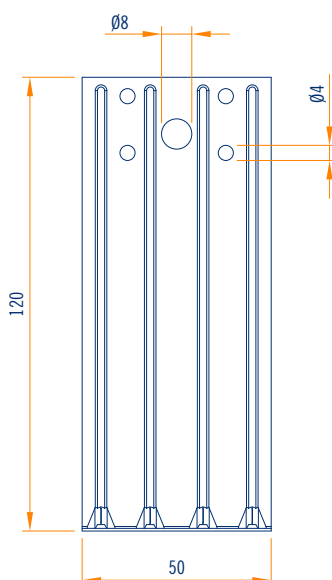


side view scale 1:2

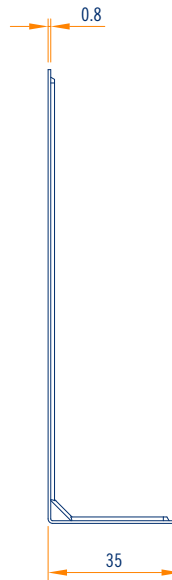
305/P100	L-Bracket 120x35	d 120x35 s 0.8	4.20	double wall	100 total pieces 1 package
-----------------	------------------	-------------------	------	-------------	-------------------------------



axonometric view scale 1:2



front view scale 1:2



side view scale 1:2

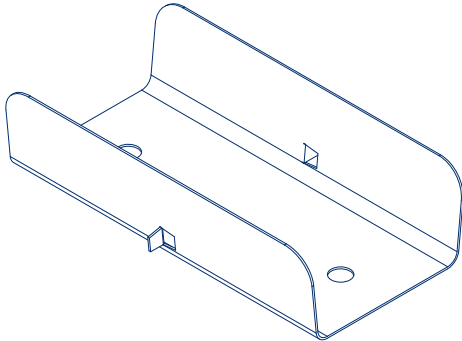
LONGITUDINAL JOINT

C/27/48/27

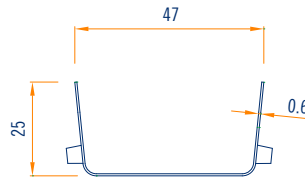
BASE 48

Item	Description	Dimension and thickness	Weight per package	Application	Sales unit
300/P100	longitudinal joint	d 27 s 0.6	4.70	suspended ceiling double wall	100 total pieces 1 package

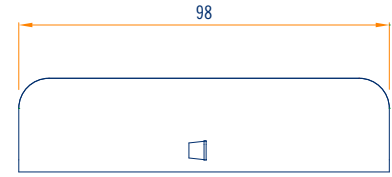
C/27/48/27



axonometric view scale 1:2



front view scale 1:2



side view scale 1:2

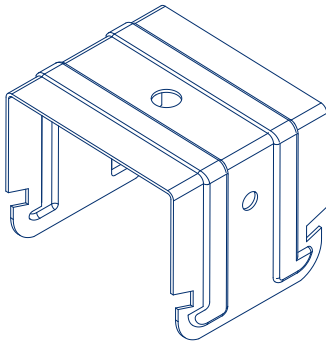
CLICK-ON ORTHOGONAL CONNECTOR ZINC-MAGNESIUM

C/27/48/27 BA

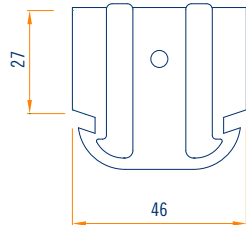


Item	Description	Dimension and thickness	Weight per package	Application	Sales unit
301/P100 (BA)	click-on orthogonal connector	d 27 s 0.8	4.80	suspended ceiling	100 total pieces 1 package

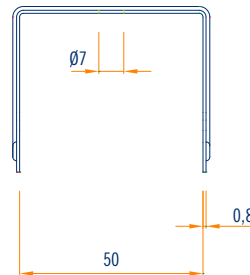
C/27/48/27 BA



axonometric view scale 1:2



front view scale 1:2



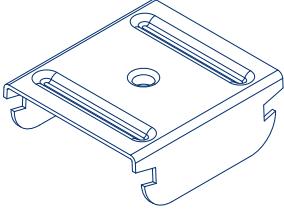
side view scale 1:2

SPACER CONNECTOR ZINC-MAGNESIUM

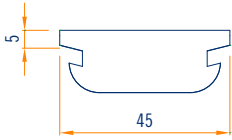
C/15/48/15 BA - C/27/48/27 BA



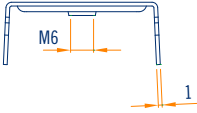
Item	Description	Dimension and thickness	Weight per package	Application	Sales unit
302/P100 (BA)	spacer connector with M6 threaded hole C/15/48/15 BA C/27/48/27 BA	d 5 s 1	3.10	suspended ceiling double wall	100 total pieces 1 package



axonometric view scale 1:2

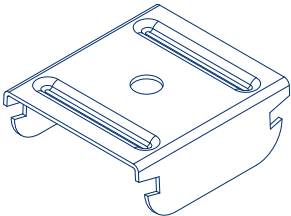


front view scale 1:2

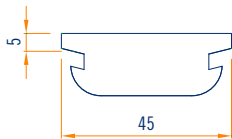


side view scale 1:2

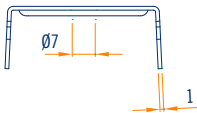
303/P100 (BA)	spacer connector through-hole $\varnothing 7$ C/15/48/15 BA C/27/48/27 BA	d 5 s 1	3.10	suspended ceiling double wall	100 total pieces 1 package
----------------------	---	------------	------	----------------------------------	-------------------------------



axonometric view scale 1:2



front view scale 1:2



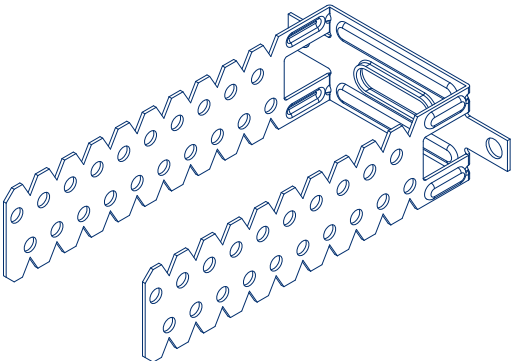
side view scale 1:2

ADJUSTABLE BRACKET 50X120 ZINC-MAGNESIUM

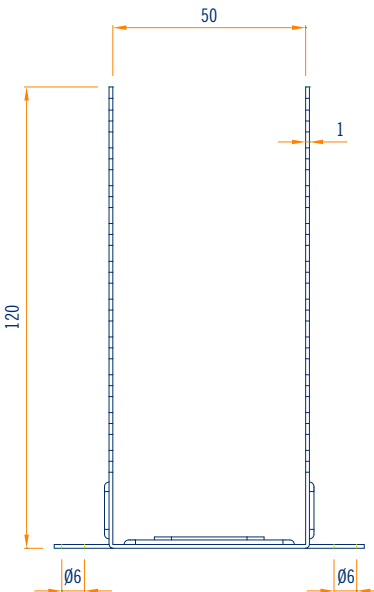
C/27/48/27 BA-BS



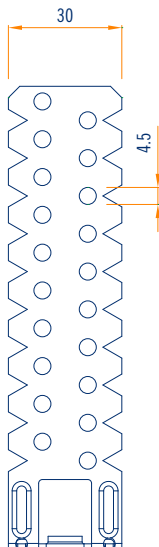
Item	Description	Dimension and thickness	Weight per package	Application	Sales unit
306/P100	adjustable bracket 50x120 C/27/48/27 BA-BS	d 50x120 s 1	5.80	suspended ceiling double wall	100 total pieces 1 package



axonometric view scale 1:2



front view scale 1:2



side view scale 1:2

ADJUSTABLE BRACKET WITH THROUGH-HOLE Ø 7 ZINC-MAGNESIUM

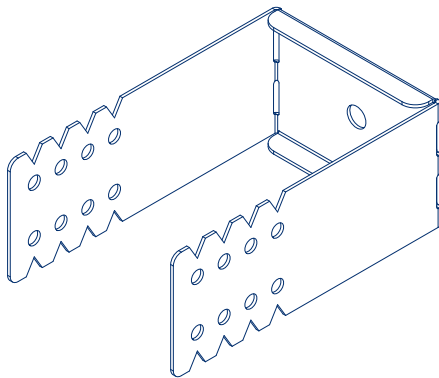
C/27/60/27 BI-BA

60X50-100-150-200-250-300-350-400-450-500

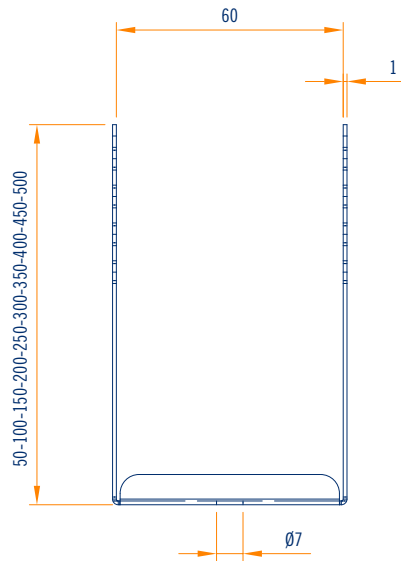
BASE 60



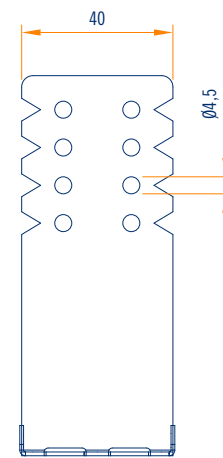
Item	Description	Dimension and thickness	Weight per package	Application	Sales unit
	adjustable bracket with through-hole Ø 7 C/27/60/27 BI-BA			suspended ceiling double wall	
310/P050ZM	60x50	d 50 s 1	3.50		50 total pieces 1 package
311/P050ZM	60x100	d 100 s 1	5.60		50 total pieces 1 package
312/P020ZM	60x150	d 150 s 1	3.10		20 total pieces 1 package
313/P020ZM	60x200	d 200 s 1	3.90		20 total pieces 1 package
314/P020ZM	60x250	d 250 s 1	4.75		20 total pieces 1 package
315/P020ZM	60x300	d 300 s 1	5.60		20 total pieces 1 package
316/P020ZM	60x350	d 350 s 1	6.40		20 total pieces 1 package
317/P020ZM	60x400	d 400 s 1	7.25		20 total pieces 1 package
318/P020ZM	60x450	d 450 s 1	8.10		20 total pieces 1 package
319/P020ZM	60x500	d 500 s 1	8.90		20 total pieces 1 package



axonometric view scale 1:2



front view scale 1:2

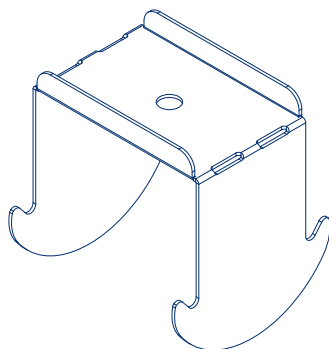


side view scale 1:2

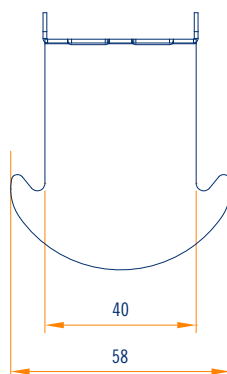
CLICK-ON ORTHOGONAL CONNECTOR ZINC-MAGNESIUM

C/27/60/27 BI-BA

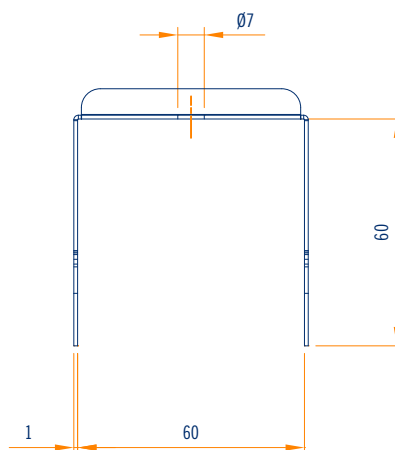
Item	Description	Dimension and thickness	Weight per package	Application	Sales unit
321/P100/AZM	click-on orthogonal connector C/27/60/27 BI-BA	s 0.8	4.80	suspended ceiling	100 total pieces 1 package



axonometric view scale 1:2



front view scale 1:2



side view scale 1:2

IMPORTANT RECOMMENDATIONS FOR USING AND STORING PRODUCTS

CE Marking

Please note that each product is part of a hanging/connection kit for connecting to the upper anchoring system and to the supporting element in dry construction systems **for use inside buildings**. The various components are identified in the catalogue and price list with the CE logo.

Each CE product has a Declaration of Performance (DOP).

Durability: class B (Components of a building exposed to variable relative humidity up to 90% and to variable temperatures up to 30°C but with no exposure to corrosive pollution agents).

Recommendations for storing metal framing elements

We recommend to store packages in a covered area with a relatively dry atmosphere and as constant a temperature as possible, to avoid condensation that could consume the passivation coat protecting the galvanised surface.

If stored outdoors (**not recommended**), please cover so as to ensure the material is fully protected against adverse weather conditions (rain, fog, snow), making sure the packages are stored in a slightly inclined position. The cover must nevertheless ensure sufficient airflow (the two surfaces must not be in direct contact) so that moisture does not settle and create condensation.



Metalstampi s.r.l.
Vicolo Biban, 7
31030 Biban di Carbonera (TV) Italy
Tel. +39 0422 398250
export@metalstampi.com
www.metalstampi.com